

RBX6036BFKTLR.875

Vida Collection

inches

5 PIECE SECTIONAL SHOWER

Exterior Dimensions: 60W x 37D x 78H

Door Opening: 57 1/2" x 76 1/8"

Clear Floor Space: 57" x 30 5/8"



FEATURES

- AcrylX™ Finish
- Self-Locating interlocking walls
- Beveled Entry – No recess required
- Left or Right Drain
- Friction drain included
- Encapsulated wood walls support weight bearing accessories
- Limited Lifetime warranty

OPTIONAL ACCESSORIES

(All accessories shipped loose for field installation)

- Collapsible water dam with end caps
- Tape weighted BF shower curtains
- Commercial grade rod and cups
- Scald guard valve with lever handle
- Hand-held shower Kit
- Fold-down shower seats
- Standard & premium grab bars
- Flange trim kit

CODES

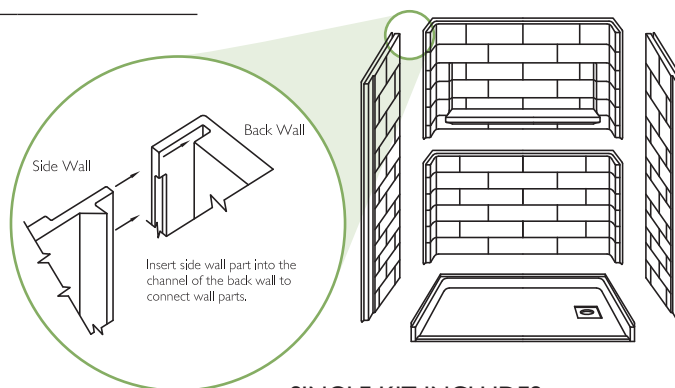
- CSA B45.5
- IAPMO
- UPC
- NFPA 101 24.2.8
- ANSI Z 124.2
- IPC

Code compliant when fully equipped and installed according to guidelines.

*See terms and conditions for details.

COLOR & TRIM OPTIONS

Standard Color	Code
White	WT



SINGLE KIT INCLUDES (shipped on one pallet)

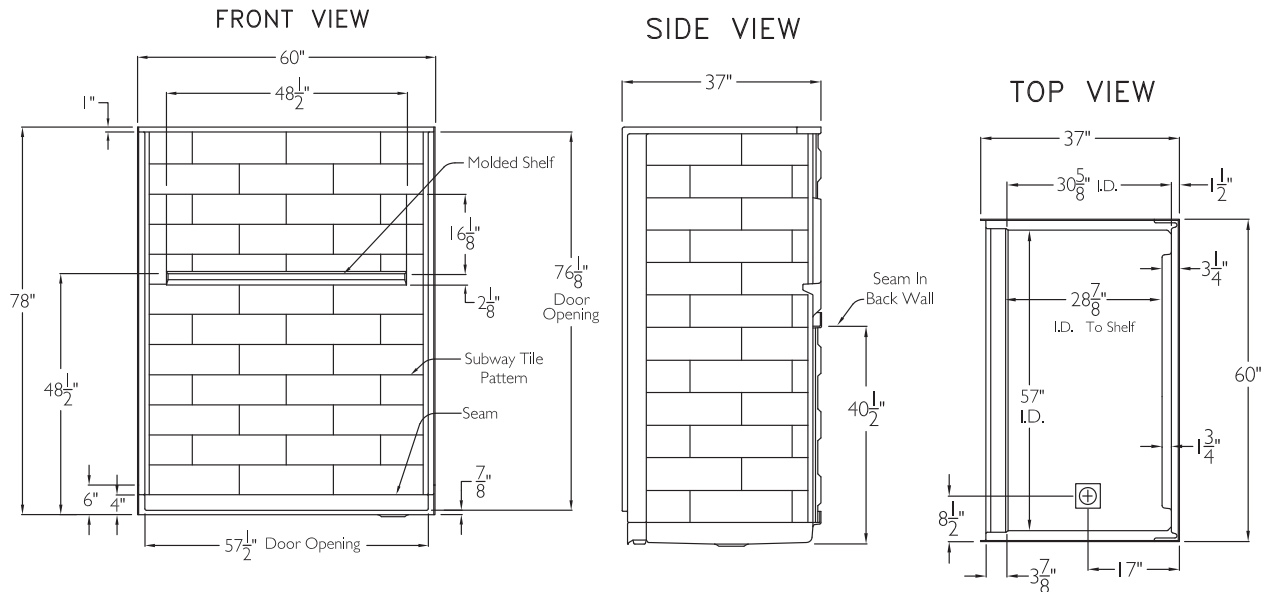
- 2-Side walls RBX3672SWST-WH
- 2-back walls RBX6072BWST I-WH
- 1-Pan RBX6036BFP L/R-WH



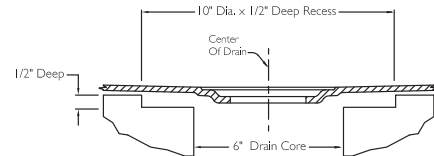
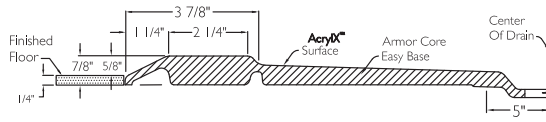
RBX6036BFKTLR.875

5 PIECE SECTIONAL SHOWER

Exterior Dimensions: 60W x 37D x 78H
inches



COMES WITH NO CAULK DRAIN and Square Strainer Plate
Cutaway Drain Detail



FEATURES Dimensional Tolerance $\pm \frac{3}{8}$ ". Dimensions needed for site preparation should be measured from the unit. American Bath Group assumes no responsibility for preparatory work.

Type and Model #	Material	Wall Finish	Pieces	Pkg. Wt. lbs
Shower #RBX6036BFKTLR.875	AcrylX™	Subway tile	5	385 w/Pallet

DIMENSIONS

Specifications	inches
Width:	60
Depth:	37
Height:	78
Tile Pattern	19 x 6

DOOR OPENING DIMENSIONS

Specifications	inches
Width:	57 1/2
Height:	76 1/8

CLEAR FLOOR SPACE

Specifications	inches
Width:	57
Depth:	30 5/8 (inside curtain line)

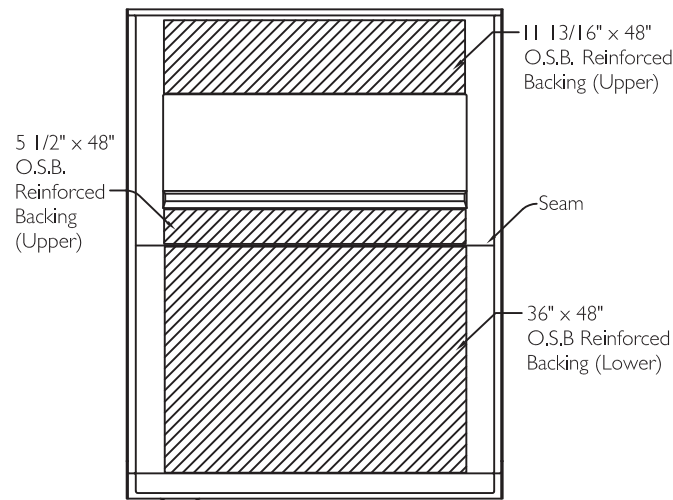
Rev. 08.30.22

RBX6036BFKTLR.875

5 PIECE SECTIONAL SHOWER

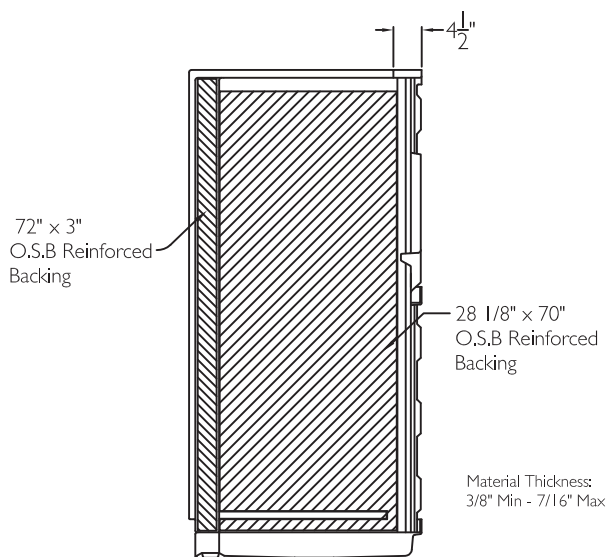
Exterior Dimensions: 60W x 37D x 78H
inches

BACKING PLACEMENT FRONT VIEW

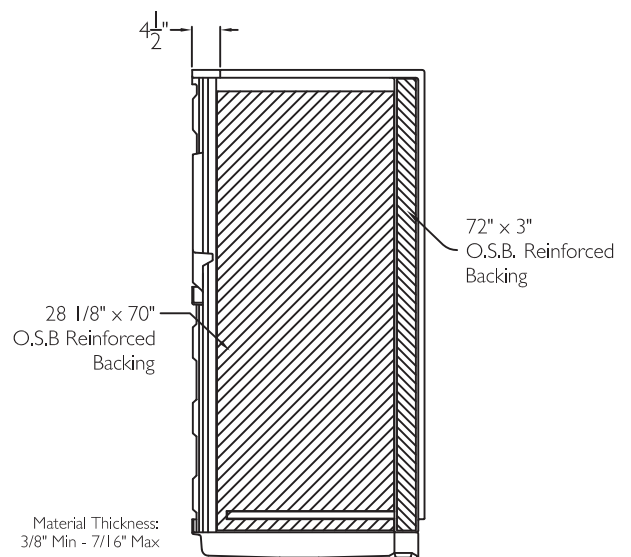


Material Thickness:
3/8" Min - 7/16" Max

SIDE VIEW



SIDE VIEW



Dimensional Tolerance $\pm \frac{3}{16}$ ". Dimensions needed for site preparation should be measured from the unit. American Bath Group assumes no responsibility for preparatory work.

Rev. 08.30.22