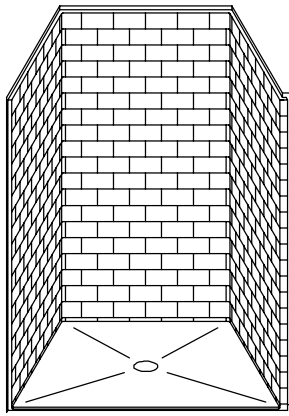


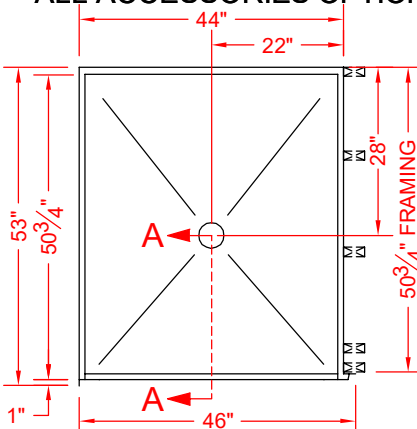
# MODEL: LBS24652B5B\* L/R

# BARRIER FREE

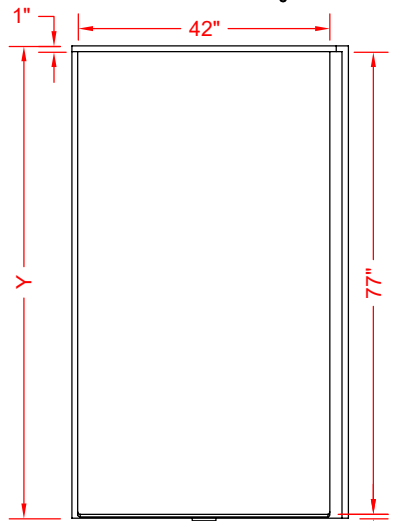


**PERSPECTIVE VIEW - N.T.S.**  
MODEL SHOWN HERE AS:  
RIGHT REVEAL

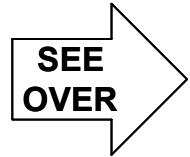
\*ALL ACCESSORIES OPTIONAL



**TOP VIEW - SCALE  $\frac{3}{8}'' = 1'-0''$**



**FRONT ELEVATION - SCALE:  $\frac{3}{8}'' = 1'-0''$**



## Features:

- Molded, one-piece gelcoat/fiberglass shower module
- "Subway Tile", 4" x 8" simulated tile wall finish, white (standard)
- Integral full wood backing for strength and unlimited accessory placement
- Available in various threshold heights
- On all threshold heights 1-1/4" or shorter, no mud set is required and an anchoring adhesive kit is supplied
- On all threshold heights 1-1/2" or taller, no mud set is required

## \*OTHER THRESHOLD HEIGHTS AVAILABLE UPON REQUEST

MODEL #	UNIT THRESHOLD HEIGHT	
	Y	Z*
LBS24652B5B	78-5/8"	5/8" MIN
LBS24652B2B	80"	2" MAX

\* - SEE BACK FOR DETAIL SECTIONS

## PRODUCT SPECIFICATIONS:

- Single-piece shower module shall be constructed of gelcoat/fiberglass with full integral plywood backing
- Rough-In: Stud opening +1/4" -0" Nominal Dimensions.

C.S.I. FORMAT SPECIFICATION TEXT AVAILABLE

### PRODUCT INFORMATION:

- Accessories: Polished chrome/satin stainless standard, others available.
- Colors: White as standard, others to match any major fixture manufacturer, also available with sprayable solid surface in many colors
- Custom curb heights, other than shown, are available (between min. and max.)

### OPTIONAL ACCESSORIES:

#### INSTALLED AT FACTORY:

- Seat, folding
- Grab bar
- Soap dish
- Mixing valve, pressure-balancing, lever handle, pre-plumbed tee to supply elbow
- Curtain rod brackets

#### INSTALLED BY OTHERS:

- Curtain and rod
- Flange-Window trim kits
- T-shaped WaterStopper kit
- Semi-permanent threshold adapter
- No-caulk brass drain

### CODES:

- Designed and manufactured in compliance with the following standards and codes:
- ANSI Z124.2 Standards for Plastic Showers
  - ANSI A117.1 B - Accessible and Usable Buildings and Facilities
  - IPC International Plumbing Code
  - UPC Uniform Plumbing Code

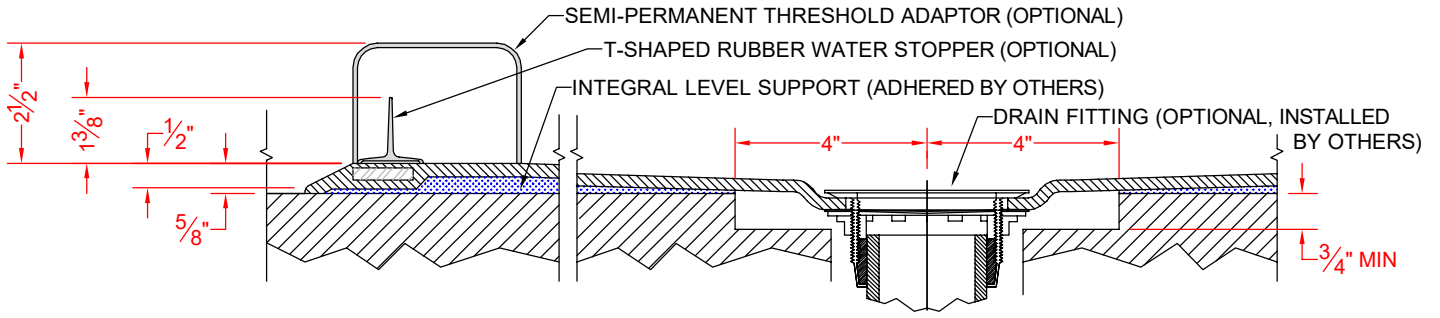
### NOTICE OF LIMITATION:

- Adhere to floor as required



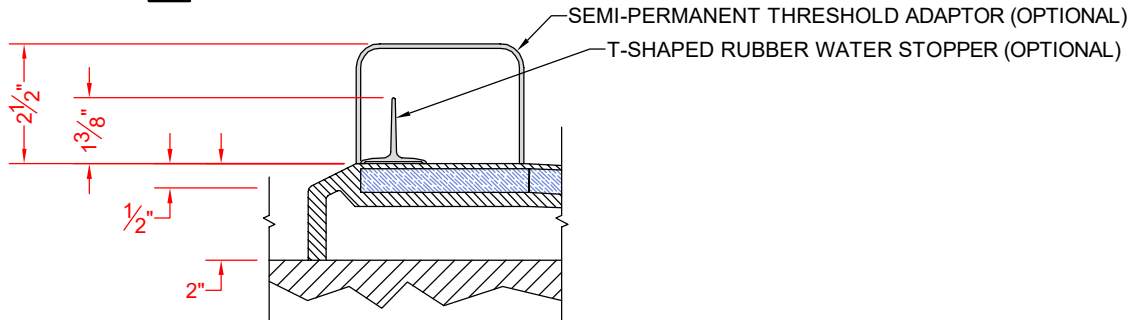
*We reserve the right to make revisions without notice in the design of fixtures or in packaging unless this right has specifically been waived at the time the order is accepted.*

□ LDS24652B75B L/R



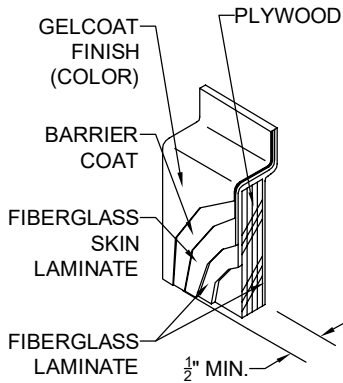
SECTION A-A - SCALE: 3" = 1'-0"

□ LDS24652B2B L/R



SECTION A-A - SCALE: 3" = 1'-0"

**\*\*OTHER THRESHOLD HEIGHTS AVAILABLE UPON REQUEST\*\***



DETAIL CS - SCALE: N.T.S.  
CROSS SECTION DETAIL