

CLARA 6032CF

60 x 32 x 27 inches

BUILDERS' CHOICE
ACRYLX™ FREESTANDING



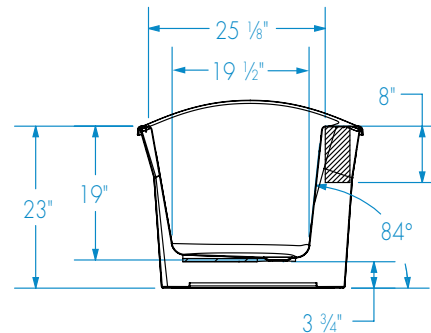
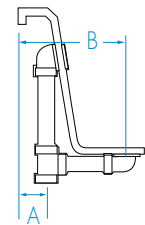
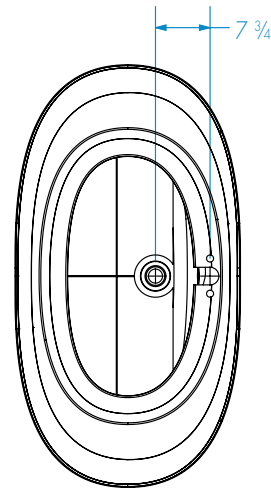
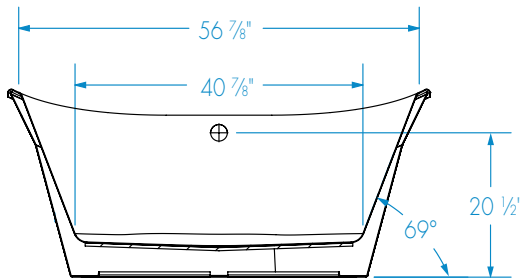
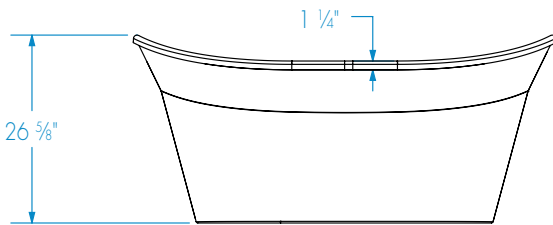
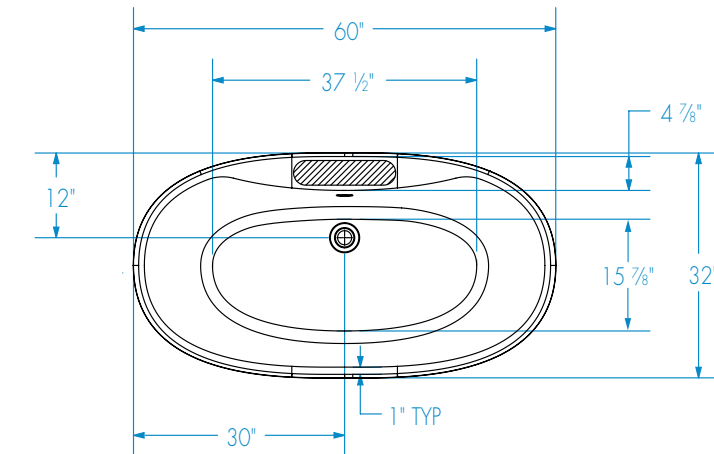
FEATURES ~

- 2-piece freestanding bathtub
- Symmetrical transitional design
- Faucet can be deck-mounted or floor-mounted
- Above-the-Floor Rough (AFR)
- Available F² Drain option allows quick drain connection and perfect alignment for easy installation
- AcrylX™ applied acrylic surface
- Available in White only
- Lifetime limited warranty



CLARA 6032CF

60 x 32 x 27 inches



 : Recommended faucet area of 15" (L) x 3 1/2" (W). Depth recommended for straight pipes 8".

All dimensions are approximate. Structure measurements must be verified against the unit to ensure proper fit.

FEATURES Dimensional Tolerance $\pm 3/8"$. Dimensions needed for site preparation should be measured from the unit. Manufacturer assumes no responsibility for preparatory work.

Type and Model #	Material	Drain	Pkg. Wt. lbs
Soaker #W1AX6032FTO	AcrylX™	Center Front	95

DIMENSIONS inches

Width Inches	Depth Inches	Height Inches	Skirt Height
60	32	26 5/8	-

SUMP DATA inches

Capacity to Overflow gal	Min. Operating Capacity gal	WIDTH @ centerline		DEPTH @ centerline	
		Top	Bottom	Top	Bottom
48	-	56 7/8	40 7/8	25 1/8	19 1/2

PLUMBING DIMENSIONS inches

A	B	Drain Diameter / Clearance
4 3/8	12 1/8	2 / 3 3/4