

SNAPTOGGLE® Heavy-Duty Toggle Bolts

TOGGLER
HIGH-PERFORMANCE ANCHORS™

Description

SNAPTOGGLE heavy-duty toggle bolts carry twice the load in a smaller hole than standard wing anchors. A patented strap design with sturdier straps and smaller ratchet interval adjusts more precisely and snaps off flush to the surface. SNAPTOGGLE heavy-duty toggle bolts do NOT spin when installed with a screw gun and provide superior holding with metal-to-metal fastening.

Key Features & Benefits

- ▶ **Strong** – up to **2x the load** of an old-fashioned wing toggle
 - bolt is centered in channel and positioned for precise installation
 - bolt threads never touch interior surface of hole and so can't saw through substrate
- ▶ **Save time** – at least **6 minutes** per anchor versus wing toggles
- ▶ Can use a screw gun – anchor **does not spin**
- ▶ **Save money** – turn a 2-person job into a 1-person job
- ▶ Use a **shorter bolt** – no need to carry a wing through the wall
- ▶ Patented strap design with sturdier straps and smaller ratchet interval:
 - adjusts more precisely and **snaps off flush** to wall, ceiling, or floor
 - does not break prematurely
 - pushes aside insulation
- ▶ **Smallest installation hole** for each bolt size:
 - maintains integrity of wall, ceiling, or floor, strengthening the anchoring
 - ends the need to patch an oversized hole [a 1/4" wing toggle requires a 3/4" diameter hole: 50% larger than the 1/2" diameter hole used by the 1/4" SNAPTOGGLE anchor]



Specifications, Listings and Approvals

Materials:

Metal channel: trivalent zinc-plated cold rolled steel or 304 stainless steel

Straps and handle: high-impact polystyrene

Cap: translucent polypropylene copolymer

Plating: Plating: ASTM B633, SC1, Type III, (Fe/Zn 5)

Federal Specifications: FF-B-588D, Type V

Minimum screw length: thickness of wall or ceiling + thickness of item being fastened + 1/2"

Minimum clearance behind wall: 1-7/8"

Grip Range:

3/8" - 3-5/8" = BA & BB

3/8" - 2-1/2" = BC, BD & BE

2" - 9-1/2" = BAL & BBL

Specs:

– No MSDS required

– ADA Compliant

– OSHPD Compliant

Key Features & Benefits (continued)

- ▶ New plating is **7x more corrosion-resistant** than B633-85 Type III/SC 1 government spec high quality zinc plating [350 hours to red rust in salt spray test versus only 48 hours for government spec]
- ▶ **Pre-installs without the bolt** to make handling of fixture easier
- ▶ **Reusable** in the same hole – remove the bolt without losing the anchor
- ▶ New **ergonomic design** – fingers grip straps more naturally and more easily with no slipping

Applications

- ▶ Cinder block
- ▶ Concrete block
- ▶ Gypsum board
- ▶ Drywall
- ▶ Tile over drywall
- ▶ Plasterboard
- ▶ Composite panels
- ▶ Cement board
- ▶ Greenboard
- ▶ Plaster
- ▶ Stucco
- ▶ Fiberglass
- ▶ Plywood
- ▶ Steel plate
- ▶ Plastic
- ▶ Wood studs/beams

Installation Information

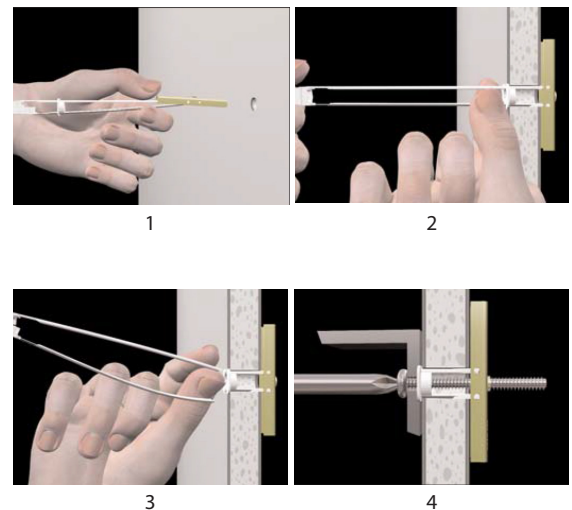
Instructions

1. Drill appropriate size hole. Hold metal channel flat alongside plastic straps & slide channel through the hole. Minimum clearance behind wall: only 1-7/8".
2. Hold ends of straps together between thumb & forefinger and pull toward you until channel rests behind wall. Ratchet cap along straps with other hand until flange of cap is flush with wall.
3. Place thumb between straps at wall. Push thumb side to side, snapping off straps level with flange of cap.
4. Place item over flange. Insert bolt and tighten until snug against item, then stop. Use machine screw or bolt to match thread in metal channel.

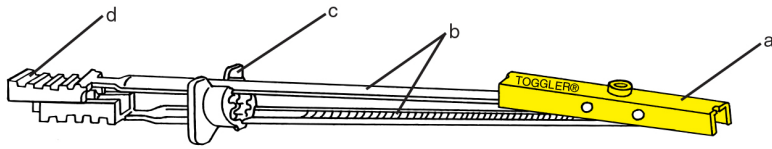
Note: Maximum torque on screw or rod is 5 ft-lb.

Benefits Compared To Wing Toggles:

- Holds up to 2x the load
- Solid metal channel resists vibration & shock
- Pre-assembled and ready for immediate use
- Pre-installs without fixture or bolt
- Installs in a significantly smaller hole
- Automatically adjusts to thickness of wall, ceiling, or floor
- Does NOT spin—bolt installs with a screw gun
- Uses a shorter bolt—no need to carry a wing
- New plating is 7 times more corrosion-resistant
- Does NOT fall behind wall when bolt is removed; fixture can be removed and reinstalled as often as desired



Installation Data



a = anchoring channel / zinc-plated cold rolled steel or 304 series stainless steel
 b = straps / high-impact polystyrene / locking ratchet
 c = cap / translucent polypropylene copolymer
 d = ergonomic handle / same as straps

UNC - Imperial

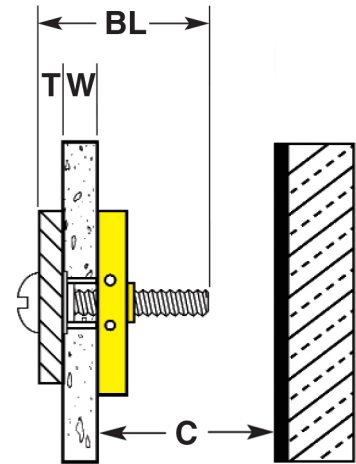
Steel Style	Stainless Style	Drill Bit Dia.	Thread Size (UNC)	Threads Per Anchor	Grip Range	Minimum Clearance
BA	BAS	1/2"	3/16 - 24	2.8	3/8" - 3-5/8"	1-7/8"
BB	BAS	1/2"	1/4 - 20	2.5	3/8" - 3-5/8"	1-7/8"
BE		3/4"	5/16 - 18	2.8	3/8" - 2-1/2"	1-7/8"
BC	BCS	3/4"	3/8 - 16	2.4	3/8" - 2-1/2"	1-7/8"
BD	BDS	3/4"	1/2 - 13	2.25	3/8" - 2-1/2"	1-7/8"
BAL*	BALS*	1/2"	3/16 - 24	2.8	2" - 9-1/2"	1-7/8"
BBL*	BBLS*	1/2"	1/4 - 20	2.5	2" - 9-1/2"	1-7/8"

*Long straps (L) for roofing and very thick walls or ceilings

Metric

Steel Style	Stainless Style	Drill Bit Dia.	Thread Size (ISO)	Threads Per Anchor	Grip Range	Minimum Clearance
BM5	BM5S	13mm	M5 x 0.8	3.8	10-92mm	48mm
BM6	BM6S	13mm	M6 x 1.0	3.1	10-92mm	48mm
BM8	BM8S	19mm	M8 x 1.25	3.1	10-64mm	48mm
BM10	BM10S	19mm	M10 x 1.5	2.75	10-64mm	48mm
BM5L*	BM5LS*	13mm	M5 x 0.8	3.8	51-240mm	48mm
BM6L*	BM6LS*	13mm	M6 x 1.0	3.1	51-240mm	48mm

*Long straps (L) for roofing and very thick walls or ceilings



C = 1-7/8" (48mm)

BL = T + W + 1/2" (13mm)

[For min. W & max. W, see "Grip Range" at left]

Performance Data

Ultimate Tensile Pull-Out Values (lbs.)

Anchor Type	Thread Size (UNC)	Drill Bit Dia.	1/2" Drywall	5/8" Drywall	*1/2" With 25 Gauge Stud	*5/8" With 25 Gauge Stud	Concrete Block	1/2" Steel Plate	Stainless In 1/2" Steel ³
BA	3/16 - 24	1/2"	238	356	412	462	802	918 ¹	1,193 ¹
BB	1/4 - 20	1/2"	265	356	425	464	1,080	1,288 ²	1,735 ¹
BE	5/16 - 18	3/4"	270	480	439	480	1,400	1,680	2,118
BC	3/8 - 16	3/4"	275	576	466	576	1,745	1,692	2,523 ¹
BD	1/2 - 13	3/4"	275	576	468	576	**2,038 ²	2,605	3,150

* Failure measured as breakage of drywall portion

** Failure of block

¹ Stainless steel bolts used

² Hardened bolts used

³ Stainless steel channel tested with stainless bolts in 1/2" steel plate

Ultimate Shear (lbs.)

Anchor Type	Thread Size (UNC)	Drill Bit Dia.	1/2" Drywall	5/8" Drywall
BA	3/16 - 24	1/2"	247	298
BB	1/4 - 20	1/2"	241	324
BC	3/8 - 16	3/4"	292	406

Notes:

- Industry standards recommend 1/4 of ultimate test load.
- Holding strength for a SNAPTOGGLE heavy-duty hollow-wall anchor varies directly with the strength and condition of the substrate and the bolt size—and inversely with variations in hole diameter and the distance of the load from the wall.
- All figures in pounds. Pull-out values based on independent laboratory tests done according to U.S. Government standards. They should be used as guides only and cannot be guaranteed. The age, condition, and capacity of the substrate must be considered.

Order Information



Zinc-Plated Carbon Steel**						
Catalog No.	Style	Drill Bit Dia.	Thread Size	Bolts Included	Box/Bag (pcs.)	Master Carton (pcs.)
24013	BA	1/2"	3/16 - 24	-	100	1000
25013	BA	1/2"	3/16 - 24	-	50	500
50375	BA	1/2"	3/16 - 24	3/16 - 24 x 2-1/2"	10	120
50350	BA	1/2"	3/16 - 24	3/16 - 24 x 2-1/2"	2	200
24014	BB	1/2"	1/4 - 20	-	100	1000
25014	BB	1/2"	1/4 - 20	-	50	500
50425	BB	1/2"	1/4 - 20	1/4 - 20 x 2-1/2"	10	120
50400	BB	1/2"	1/4 - 20	1/4 - 20 x 2-1/2"	2	200
21017	BE	3/4"	5/16 - 18	-	25	250
21015	BC	3/4"	3/8 - 16	-	25	250
21016	BD	3/4"	1/2 - 13	-	25	250
25029	BM5 Metric	13mm	M5 x 0.8	-	50	500
25024	BM6 Metric	13mm	M6 x 1.0	-	50	500
21031	BM8 Metric	19mm	M8 x 1.25	-	25	250
21035	BM10 Metric	19mm	M10 x 1.5	-	25	250
21049	BAL Long	1/2"	3/16 - 24	-	50	500
21050	BBL Long	1/2"	1/4" - 20	-	50	500
21064	BM5L Metric Long	13mm	M5 x 0.8	-	50	500
21025	BM6L Metric Long	13mm	M6 x 1.0	-	50	500

** All bags and boxes must be purchased in master carton quantities, except for stainless steel boxes, long toggle bolts and metric sizes.



Type 304 Stainless Steel**						
Catalog No.	Style	Drill Bit Dia.	Thread Size	Bolts Included	Box/Bag (pcs.)	Master Carton (pcs.)
24020	BAS	1/2"	3/16 - 24	-	100	1000
25020	BAS	1/2"	3/16 - 24	-	50	500
50435	BAS	1/2"	3/16 - 24	3/16 - 24 x 2-1/2"	2	200
24021	BBS	1/2"	1/4 - 20	-	100	1000
25021	BBS	1/2"	1/4 - 20	-	50	500
50440	BBS	1/2"	1/4 - 20	1/4 - 20 x 2-1/2"	2	200
21022	BCS	3/4"	3/8 - 16	-	25	250
21023	BDS	3/4"	1/2 - 13	-	25	250
25030	BM5S Metric	13mm	M5 x 0.8	-	50	500
25026	BM6S Metric	13mm	M6 x 1.0	-	50	500
21032	BM8S Metric	19mm	M8 x 1.25	-	25	250
21036	BM10S Metric	19mm	M10 x 1.5	-	25	250
21059	BALS Long	1/2"	3/16 - 24	-	50	500
21060	BBLS Long	1/2"	1/4 - 20	-	50	500
21065	BM5LS Metric Long	13mm	M5 x 0.8	-	50	500
21061	BM6LS Metric Long	13mm	M6 x 1.0	-	50	500

** All bags and boxes must be purchased in master carton quantities, except for stainless steel boxes, long toggle bolts and metric sizes.

For more information, please contact:



Divisions of Mechanical Plastics Corp.

110 Richards Avenue • Norwalk, CT 06854

Phone: 203-857-2200

Fax: 203-857-2201 • E-mail: sales@wejit.com

www.toggler.com • www.wejit.com

TOGGLER® and typeface, SNAPTOGGLE®, Wej-It®, High-Performance Anchors®, BA™, BB™, BC™, BD™, BE™, BAL™, BBL™, BAS™, BBS™, BCS™, BDS™, BES™, BALS™, BBLS™, BM5™, BM6™, BM8™, BM10™, BM5L™, BM6L™, BM5S™, BM6S™, BM8S™, BM10S™, BM5LS™, and BM6LS™ are worldwide trademarks of Mechanical Plastics Corp. U.S. Patent no. 6,161,999 and foreign counterparts thereof. Other patents pending. ©2015 Mechanical Plastics Corp. REV. 8/15