

# RBX6032BFKTLR.875

## Vida Collection

inches

### 5 PIECE SECTIONAL SHOWER

with Standard Accessory Package

Exterior Dimensions: 60W x 33D x 78H

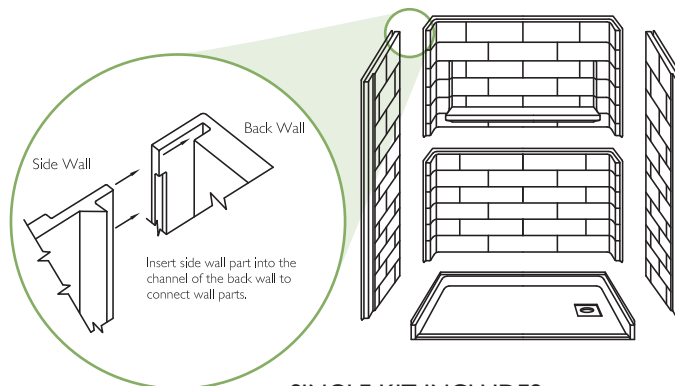
Door Opening: 57 1/2" x 76 1/8"

Clear Floor Space: 57" x 25 1/4"



#### COLOR & TRIM OPTIONS

Standard Color	Code
White	WT



#### SINGLE KIT INCLUDES (shipped on one pallet)

- 2-Side walls RBX3272SWST-WH
- 2-back walls RBX6072BWST I-WH
- 1-Pan RBX6032BFP L/R-WH



#### FEATURES

- AcrylX™ Finish
- Self-Locating interlocking walls
- Beveled Entry – No recess required
- Left or Right Drain
- Friction drain included
- Encapsulated wood walls support weight bearing accessories
- Standard Accessory Package as shown shipped loose for field installation
- Limited Lifetime warranty

#### OPTIONAL ACCESSORIES

(All accessories shipped loose for field installation)

- Collapsible water dam with end caps
- Tape weighted BF shower curtains
- Commercial grade rod and cups
- Flange trim kit

#### CODES

- CSA B45.5
- IAPMO
- UPC
- NFPA 101 24.2.8
- ANSI Z 124.2
- IPC

Code compliant when fully equipped and installed according to guidelines.

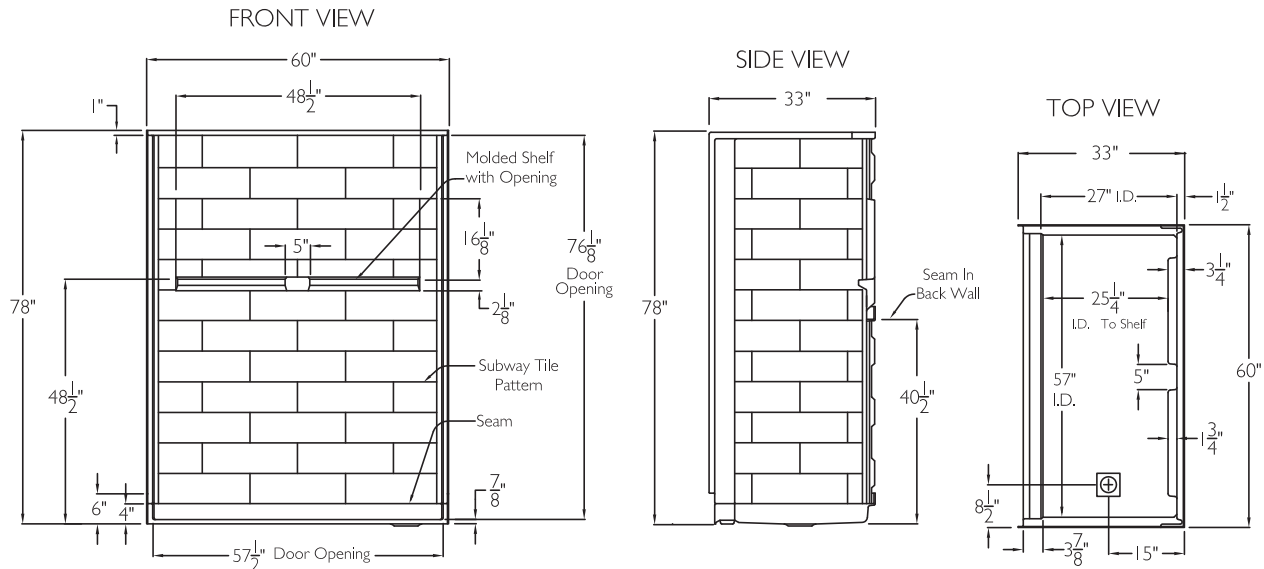
\*See terms and conditions for details.



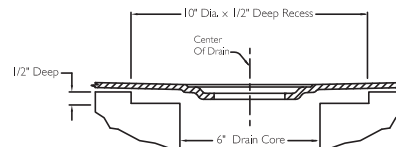
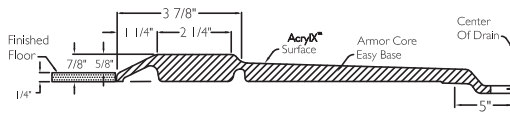
# RBX6032BFKTLR.875

## 5 PIECE SECTIONAL SHOWER with Standard Accessory Package

Exterior Dimensions: 60W x 33D x 78H  
inches



COMES WITH NO CAULK DRAIN and Square Strainer Plate  
Cutaway Drain Detail



**FEATURES** Dimensional Tolerance  $\pm \frac{3}{8}$ ". Dimensions needed for site preparation should be measured from the unit. American Bath Group assumes no responsibility for preparatory work.

Type and Model #	Material	Wall Finish	Pieces	Pkg. Wt. lbs
Shower #RBX6032BFKTLR.875	AcrylX™	Subway tile	5	366 w/Pallet

### DIMENSIONS

Specifications	inches
Width:	60
Depth:	33
Height:	78
Tile Pattern	19 x 6

### DOOR OPENING DIMENSIONS

Specifications	inches
Width:	57 1/2
Height:	76 1/8

### CLEAR FLOOR SPACE

Specifications	inches
Width:	57
Depth:	25 1/4 (inside curtain line)

Rev. 07.12.22

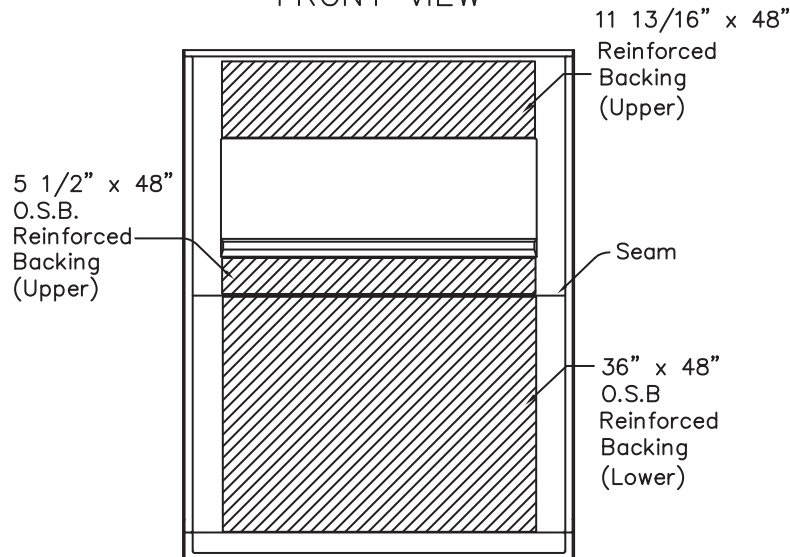
# RBX6032BFKTLR.875

## 5 PIECE SECTIONAL SHOWER

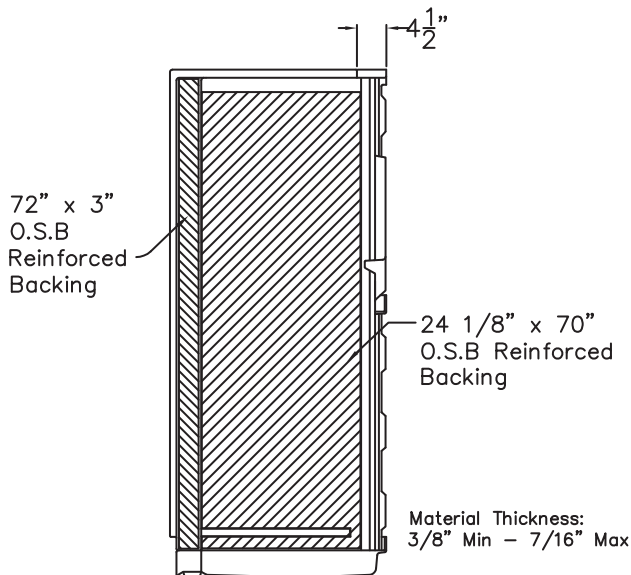
*with Standard Accessory Package*

Exterior Dimensions: 60W x 33D x 78H  
inches

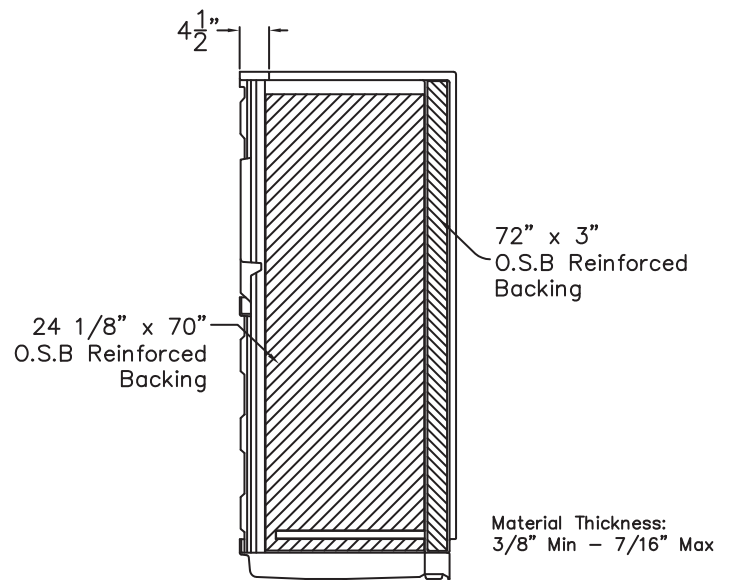
### BACKING PLACEMENT FRONT VIEW



### SIDE VIEW



### SIDE VIEW



Dimensional Tolerance  $\pm \frac{3}{16}$ ". Dimensions needed for site preparation should be measured from the unit. American Bath Group assumes no responsibility for preparatory work.

Rev. 07.12.22