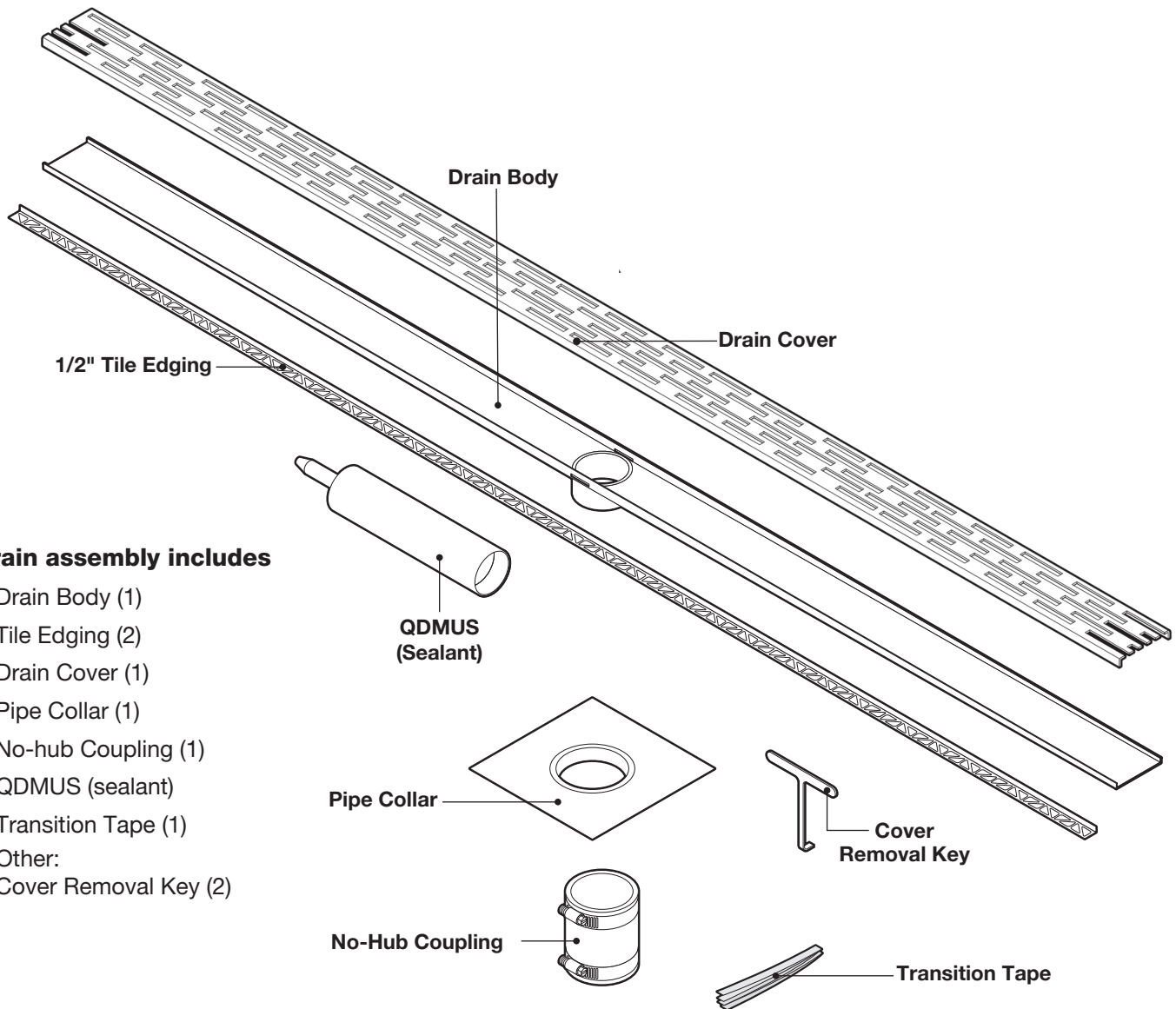


RETROD66



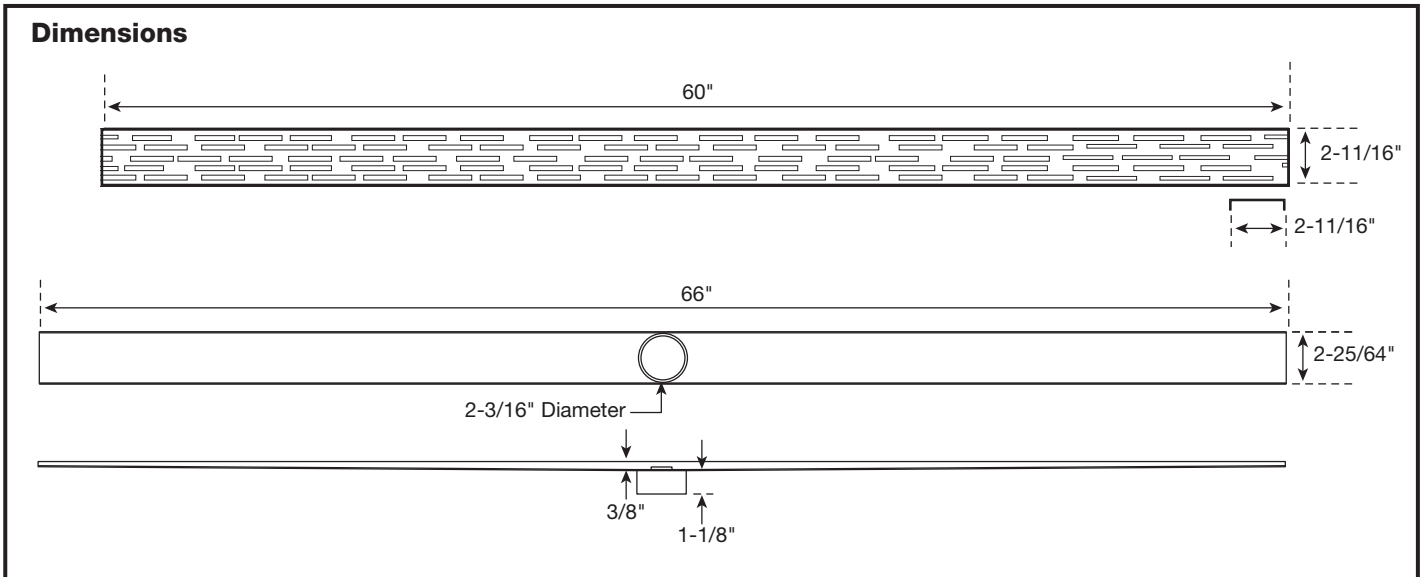
Features

- No recess in the subfloor required
- Fits within the thickness of 3/8" tile + thin set
- Most important special feature is the internally sloped trough. This feature is a key to no stagnant water sitting in the trough any time and eliminates hard water build up
- Use with any kind of topical waterproofing: topical sheet waterproofing (QTS, Kerdi™, Noble TS™), topical liquid waterproofing (AquaDefense™, RedGard™, Hydro Ban™, Ardex 8+9™).



Drain assembly includes

- Drain Body (1)
- Tile Edging (2)
- Drain Cover (1)
- Pipe Collar (1)
- No-hub Coupling (1)
- QDMUS (sealant)
- Transition Tape (1)
- Other:
Cover Removal Key (2)



Installation Notes

- Cutaway illustration (shown) is liquid waterproofing with slope panel and concrete subfloor.

For different types of installations, please see other cutaway illustrations at www.quickdrainusa.com

- | | |
|--|---------------------------------------|
| 1 Stud Wall | 13 Wall Tile and Grout |
| 2 Backer Board | 14 Drain Cover |
| 3 Thin-Set (for wall tile) | 15 Transition Tape (under drain body) |
| 4 Reinforcing Fabric | 16 Thin-Set (under drain body) |
| 5 First Layer of Liquid Waterproofing | 17 Modified Urethane Sealant |
| 6 Second Layer of Liquid Waterproofing | 18 Tile Edging |
| 7 Slope | 19 Modified Urethane Sealant |
| 8 Pipe Collar | 20 No-Hub Coupling |
| 9 Thin-Set | 21 Pipe Extension |
| 10 Weep Holes | |
| 11 Concrete Subfloor | |
| 12 Drain Body | |

