

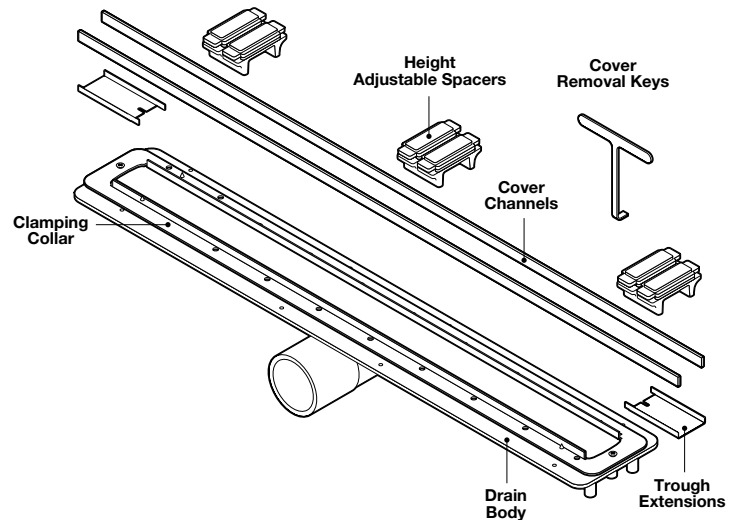


Job Name _____	Item # _____
Location _____	
Engineer _____	Contractor _____
PO # _____	Tag _____
Representative _____	

SL2432D1, SL2432, SL3240, SL4048, SL4856, SL5664, SL6472 TECHNICAL SPECIFICATION

DESCRIPTION

- The most important feature is the internally sloped trough. This feature is the key to no stagnant water sitting in the trough at any time and eliminates hard water build up
- Length adjustability of drain body with use of trough extensions (5" for each side, 10" total) to accommodate drain sizes from 24" – 72"
- Height adjustability of drain cover with use of spacers for different thicknesses of finish material from 3/8" to 3/4"
- Compatible to the following kinds of waterproofing: topical sheet waterproofing (QuickDrain QTS, Kerdi™, Noble TS™), topical liquid waterproofing (AquaDefense™, RedGard™, Hydro Ban™, Ardex 8+9™), hot mop, PolyVinyl Chloride (PVC) vinyl liner, rubber liner, Chlorinated PolyEthylene (CPE).
- Drain capacity for 2" outlet is 12 GPM in a shower pan with curb and 5 GPM in a shower pan without a curb at the entry. Drain capacity for 1.5" outlet is 9 GPM and 3.5 GPM. The actual volume is limited by the plumbing lines and P-trap.



DRAIN ASSEMBLY INCLUDES

- **PVC Parts:** Drain body (1), Height Adjustable Spacers*
- **304 Stainless Steel Parts:** Clamping collar (1), Cover Channels (2), Trough Extensions (2), Screws*
- **Other:** Cover Removal Keys (2)



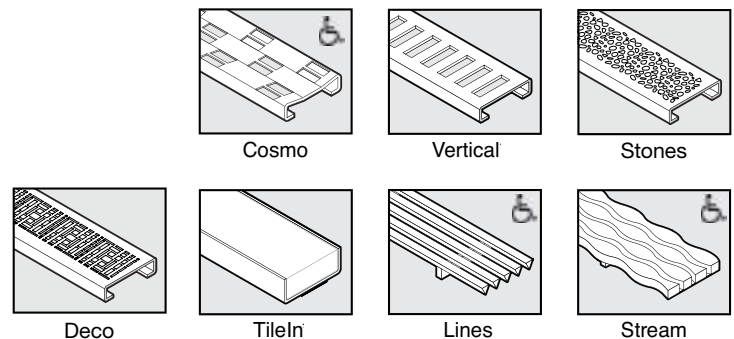
*See chart below for part quantities of different drain lengths.

REQUIRED PART (NOT INCLUDED)

- Drain Cover: Available in the designs shown (right) and in the following lengths: 32", 40", 48", 56", 64", and 72"
- QuickDrain QTS Sheet waterproofing membrane

APPROVALS AND LISTINGS

Before installing QuickDrain system, check with your local building department/plumbing inspector to ensure compliance with the local building codes. QuickDrain is not responsible for any conflicts with local building codes or improper installation of any part of the assembly or the waterproofing membrane. Dimensions are subject to manufacturer's tolerance and can change without notice.

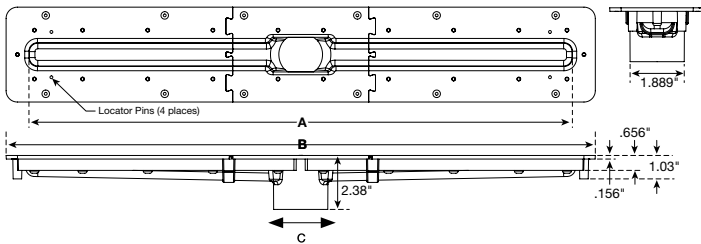


MODEL NUMBER	HEIGHT ADJUSTABLE SPACERS	SCREWS
SL2432D1, SL2432	4	22
SL3240	4	26
SL4048	6	34
SL4856	6	38
SL5664	8	42
SL6472	8	50

Access BIM/Revit content through www.oatey.com

SL2432D1, SL2432, SL3240, SL4048, SL4856, SL5664, SL6472 TECHNICAL SPECIFICATION

DIMENSIONS (VERTICAL WASTE OUTLET)

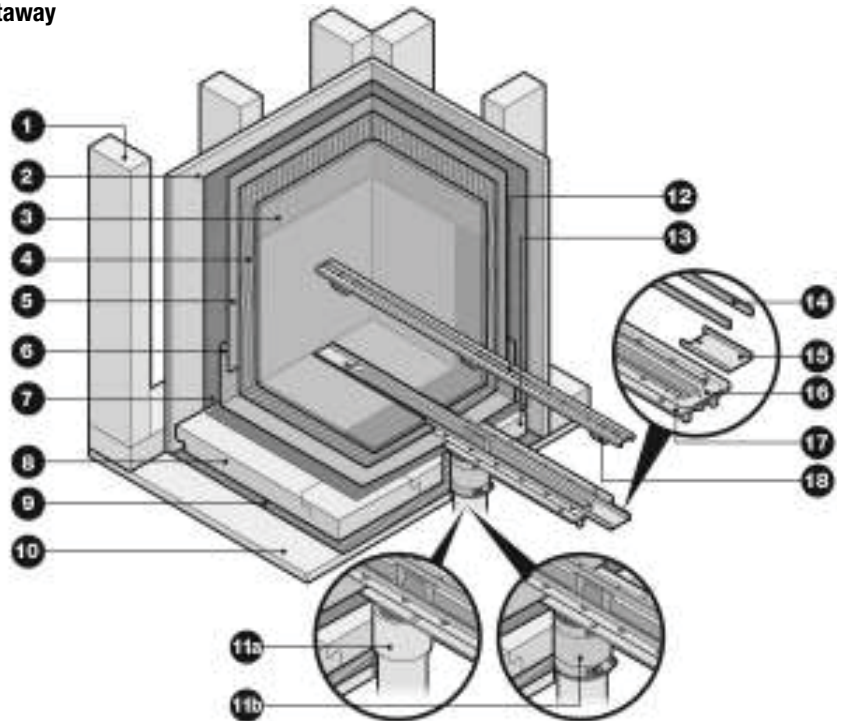


MODEL	A	B	C
SL2432D1	24"	26"	1.5"
SL2432	24"	26"	2"
SL3240	32"	34"	2"
SL4048	40"	42"	2"
SL4856	48"	50"	2"
SL5664	56"	58"	2"
SL6472	64"	66"	2"

INSTALLATION NOTES

- Drain body can not be cut, but can be extended with use of trough extensions.
- Drain cover can be cut on site to fit wall-to-wall or wall-to-curb installations.
- Cutaway illustration shown below is for installation of drains with pre-sloped shower pans and sheet waterproofing membrane.
- **For different types of installations, please see other cutaway illustrations at QuickDrain.com**

- 1 Stud wall
- 2 Backer board
- 3 Wall tile and grout
- 4 Thin-set (for wall tile)
- 5 Sheet waterproofing for wall tile
- 6 Sheet waterproofing for shower pan
- 7 Thin-set
- 8 Pre-sloped shower pan
- 9 Thin-set
- 10 Sub-floor
- 11a PVC-to-PVC connection
- 11b Two-band coupling
- 12 Drain cover
- 13 Drain support frame
- 14 Cover channels
- 15 Trough extensions
- 16 Clamping collar
- 17 Drain body
- 18 Height adjustable spacers



Access BIM/Revit content through www.oatey.com