

HH-2050 Series

Shampoo Shelf
Grab Bar

Shampoo Shelf Grab Bar

Stainless steel screws for wood backing included with every bar!

**Hollow wall togglers & Wingit Compatible
(hollow wall togglers & wingits sold separately)*

Application Use:

Architectural

Commercial

Institutional

Residential

Specifications

The Shampoo Shelf Grab Bar is manufactured using high quality 18 gauge 1.25" diameter 304 stainless steel. Clean finished look using a concealed flange cover and a wingit compatible flange base with 5 optional screw hole ports makes locating on a stud or hollow wall even easier than ever. 4 hollow wall togglers included with every bar. The Bilanx Bath Collection is designed, built, and tested to 500lbs exceeding HUD, FHA, VA, ADA, ANSI and other federal, provincial, and local codes. *Grab Bars can only be as strong as what they are mounted to. It is imperative when installing any safety product to consult with a qualified contractor to insure you have sufficient backing.

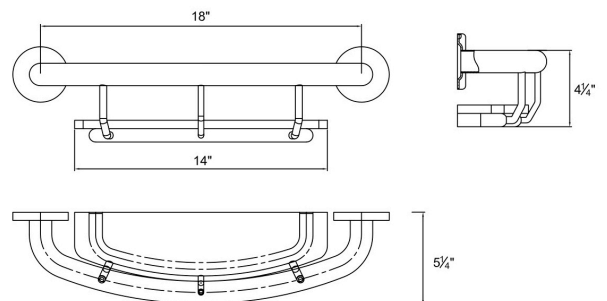


The Bilanx Bath Collection

All Shampoo Shelf Grab Bars ship complete with easy to follow instructions, mounting hardware for stud framing & hollow walls. The Bilanx Bath Collection has been designed, built, and tested to 500lbs. The Shampoo Shelf Grab Bar comes in 3 standard finishes

HH-2050PC	POLISHED CHROME
HH-2050BN	BRUSHED NICKEL
HH-2050ORB	OIL RUBBED BRONZE

Custom Finishes Available Upon Request



Easy to mount flange!
Welded, 3" round, 5 hole flange with
concealed cover.



Dimension tolerances +/- 3/16"