



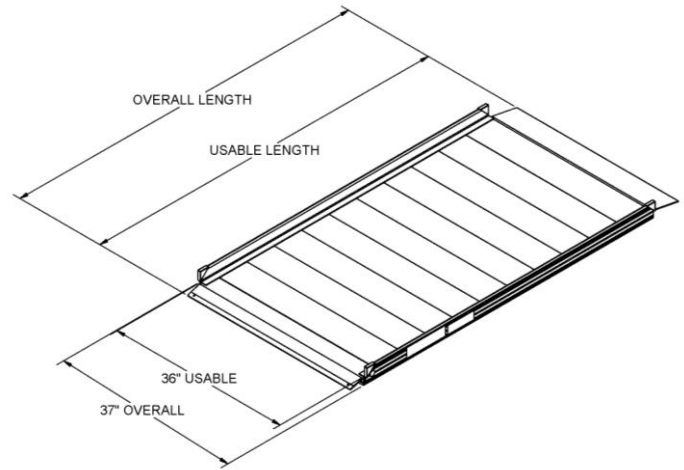
# GATEWAY® 3G

## Solid Surface Portable Ramp

### Technical Specifications

#### OVERALL

|                        |  |
|------------------------|--|
| Material               | : 6000 Series Aluminum                             |
| Slip-resistant Surface | : Extruded or SAFEGUARD Extra Fine Direct Gritting |
| Weight Capacity        | : 1,000 lbs.                                       |
| Warranty Term          | : Lifetime Limited*                                |
| Use                    | : Wheelchairs & Scooters                           |



#### GATEWAY 3G 3-FT RAMP

|                            |                   |
|----------------------------|-------------------|
| Model No.                  | : GATEWAY3G 03    |
| Usable Size (L x W)        | : 3' x 36"        |
| Overall Size (L x W x H)   | : 3' x 37" x 3.5" |
| Curb Height                | : 2"              |
| Weight**                   | : 24 lbs.         |
| Usage Guidelines (Rise)*** | : Up to 4"        |

#### GATEWAY 3G 4-FT RAMP

|                            |                   |
|----------------------------|-------------------|
| Model No.                  | : GATEWAY3G 04    |
| Usable Size (L x W)        | : 4' x 36"        |
| Overall Size (L x W x H)   | : 4' x 37" x 3.5" |
| Curb Height                | : 2"              |
| Weight**                   | : 30 lbs.         |
| Usage Guidelines (Rise)*** | : Up to 6"        |

#### GATEWAY 3G 5-FT RAMP

|                            |                   |
|----------------------------|-------------------|
| Model No.                  | : GATEWAY3G 05    |
| Usable Size (L x W)        | : 5' x 36"        |
| Overall Size (L x W x H)   | : 5' x 37" x 3.5" |
| Curb Height                | : 2"              |
| Weight**                   | : 36 lbs.         |
| Usage Guidelines (Rise)*** | : Up to 7"        |

#### GATEWAY 3G 6-FT RAMP

|                            |                   |
|----------------------------|-------------------|
| Model No.                  | : GATEWAY3G 06    |
| Usable Size (L x W)        | : 6' x 36"        |
| Overall Size (L x W x H)   | : 6' x 37" x 3.5" |
| Curb Height                | : 2"              |
| Weight**                   | : 42 lbs.         |
| Usage Guidelines (Rise)*** | : Up to 9"        |

#### GATEWAY 3G 7-FT RAMP

|                            |                   |
|----------------------------|-------------------|
| Model No.                  | : GATEWAY3G 07    |
| Usable Size (L x W)        | : 7' x 36"        |
| Overall Size (L x W x H)   | : 7' x 37" x 3.5" |
| Curb Height                | : 2"              |
| Weight**                   | : 50 lbs.         |
| Usage Guidelines (Rise)*** | : Up to 10"       |

#### GATEWAY 3G 8-FT RAMP

|                            |                   |
|----------------------------|-------------------|
| Model No.                  | : GATEWAY3G 08    |
| Usable Size (L x W)        | : 8' x 36"        |
| Overall Size (L x W x H)   | : 8' x 37" x 3.5" |
| Curb Height                | : 2"              |
| Weight**                   | : 54 lbs.         |
| Usage Guidelines (Rise)*** | : Up to 12"       |

#### GATEWAY 3G 9-FT RAMP

|                            |                   |
|----------------------------|-------------------|
| Model No.                  | : GATEWAY3G 09    |
| Usable Size (L x W)        | : 9' x 36"        |
| Overall Size (L x W x H)   | : 9' x 37" x 3.5" |
| Curb Height                | : 4"              |
| Weight**                   | : 68 lbs.         |
| Usage Guidelines (Rise)*** | : Up to 13"       |

#### GATEWAY 3G 10-FT RAMP

|                            |                    |
|----------------------------|--------------------|
| Model No.                  | : GATEWAY3G 10     |
| Usable Size (L x W)        | : 10' x 36"        |
| Overall Size (L x W x H)   | : 10' x 37" x 3.5" |
| Curb Height                | : 4"               |
| Weight**                   | : 72 lbs.          |
| Usage Guidelines (Rise)*** | : Up to 15"        |

\* Warranty excludes powder-coated finish.

\*\* Weights and dimensions are approximate and subject to change.

\*\*\* Consult your mobility equipment manufacturer for proper degree of incline; never exceed their recommendations.

Patented components.

LIFETIME WARRANTY. Please register at [www.ezaccess.com/product-registration](http://www.ezaccess.com/product-registration).

© EZ-ACCESS®, a division of Homecare Products, Inc. All rights reserved.

All text and images contained in this document are proprietary and may not be shared, modified, distributed, reproduced, or reused without the express written permission of EZ-ACCESS



Manufactured in the USA



18524 REV 07-11-2024



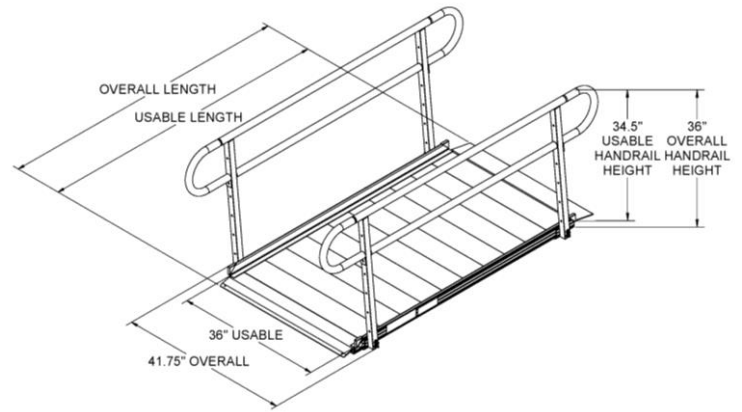
# GATEWAY® 3G

## Solid Surface Portable Ramp w/Two-line Handrails

### Technical Specifications

**OVERALL**

- Loops : Included
- Material : 6000 Series Aluminum
- Slip-resistant Surface : Extruded or SAFEGUARD Extra Fine Direct Gritting
- Handrail Surface : Architectural Finish or Powder-Coated
- Weight Capacity : 1,000 lbs.
- Warranty Term : Lifetime Limited\*
- Use : Wheelchairs & Scooters



**GATEWAY 3G 3-FT RAMP W/TWO-LINE HANDRAILS**

- Model No. : GATEWAY3G 03TL
- Usable Size (L x W x H) : 3' x 36" x 34.5"
- Overall Size (L x W x H) : 3' x 41.75" x 36"
- Curb Height : 2"
- Handrail Length : 2'
- Weight\*\* : 44 lbs.
- Usage Guidelines (Rise)\*\*\* : Up to 4"

**GATEWAY 3G 7-FT RAMP W/TWO-LINE HANDRAILS**

- Model No. : GATEWAY3G 07TL
- Usable Size (L x W x H) : 7' x 36" x 34.5"
- Overall Size (L x W x H) : 7' x 41.75" x 36"
- Curb Height : 2"
- Handrail Length : 6'
- Weight\*\* : 74 lbs.
- Usage Guidelines (Rise)\*\*\* : Up to 10"

**GATEWAY 3G 4-FT RAMP W/TWO-LINE HANDRAILS**

- Model No. : GATEWAY3G 04TL
- Usable Size (L x W x H) : 4' x 36" x 34.5"
- Overall Size (L x W x H) : 4' x 41.75" x 36"
- Curb Height : 2"
- Handrail Length : 3'
- Weight\*\* : 52 lbs.
- Usage Guidelines (Rise)\*\*\* : Up to 6"

**GATEWAY 3G 8-FT RAMP W/TWO-LINE HANDRAILS**

- Model No. : GATEWAY3G 08TL
- Usable Size (L x W x H) : 8' x 36" x 34.5"
- Overall Size (L x W x H) : 8' x 41.75" x 36"
- Curb Height : 2"
- Handrail Length : 7'
- Weight\*\* : 82 lbs.
- Usage Guidelines (Rise)\*\*\* : Up to 12"

**GATEWAY 3G 5-FT RAMP W/TWO-LINE HANDRAILS**

- Model No. : GATEWAY3G 05TL
- Usable Size (L x W x H) : 5' x 36" x 34.5"
- Overall Size (L x W x H) : 5' x 41.75" x 36"
- Curb Height : 2"
- Handrail Length : 4'
- Weight\*\* : 60 lbs.
- Usage Guidelines (Rise)\*\*\* : Up to 7"

**GATEWAY 3G 9-FT RAMP W/TWO-LINE HANDRAILS**

- Model No. : GATEWAY3G 09TL
- Usable Size (L x W x H) : 9' x 36" x 34.5"
- Overall Size (L x W x H) : 9' x 41.75" x 36"
- Curb Height : 4"
- Handrail Length : 8'
- Weight\*\* : 96 lbs.
- Usage Guidelines (Rise)\*\*\* : Up to 13"

**GATEWAY 3G 6-FT RAMP W/TWO-LINE HANDRAILS**

- Model No. : GATEWAY3G 06TL
- Usable Size (L x W x H) : 6' x 36" x 34.5"
- Overall Size (L x W x H) : 6' x 41.75" x 36"
- Curb Height : 2"
- Handrail Length : 5'
- Weight\*\* : 68 lbs.
- Usage Guidelines (Rise)\*\*\* : Up to 9"

**GATEWAY 3G 10-FT RAMP W/TWO-LINE HANDRAILS**

- Model No. : GATEWAY3G 10TL
- Usable Size (L x W x H) : 10' x 36" x 34.5"
- Overall Size (L x W x H) : 10' x 41.75" x 36"
- Curb Height : 4"
- Handrail Length : 9'
- Weight\*\* : 106 lbs.
- Usage Guidelines (Rise)\*\*\* : Up to 15"

\* Warranty excludes powder-coated finish.

\*\* Weights and dimensions are approximate and subject to change.

\*\*\* Consult your mobility equipment manufacturer for proper degree of incline; never exceed their recommendations.



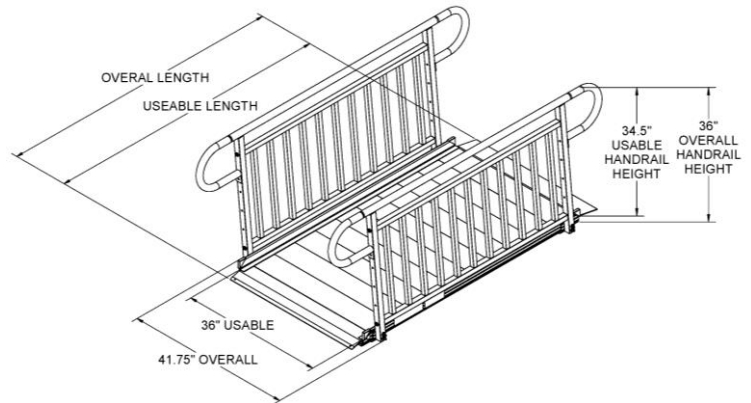
# GATEWAY® 3G

## Solid Surface Portable Ramp w/Vertical Pickets

### Technical Specifications

#### OVERALL

- Loops : Included
- Material : 6000 Series Aluminum
- Slip-resistant Surface : Extruded or SAFEGUARD Extra Fine Direct Gritting
- Handrail Surface : Architectural Finish or Powder-Coated
- Weight Capacity : 1,000 lbs.
- Warranty Term : Lifetime Limited\*
- Use : Wheelchairs & Scooters



#### GATEWAY 3G 3-FT RAMP W/VERTICAL PICKETS

- Model No. : GATEWAY3G 03VP
- Usable Size (L x W x H) : 3' x 36" x 34.5"
- Overall Size (L x W x H) : 3' x 41.75" x 36"
- Curb Height : 2"
- Handrail Length : 2'
- Weight\*\* : 46 lbs.
- Usage Guidelines (Rise)\*\*\* : Up to 4"

#### GATEWAY 3G 7-FT RAMP W/VERTICAL PICKETS

- Model No. : GATEWAY3G 07VP
- Usable Size (L x W x H) : 7' x 36" x 34.5"
- Overall Size (L x W x H) : 7' x 41.75" x 36"
- Curb Height : 2"
- Handrail Length : 6'
- Weight\*\* : 90 lbs.
- Usage Guidelines (Rise)\*\*\* : Up to 10"

#### GATEWAY 3G 4-FT RAMP W/VERTICAL PICKETS

- Model No. : GATEWAY3G 04VP
- Usable Size (L x W x H) : 4' x 36" x 34.5"
- Overall Size (L x W x H) : 4' x 41.75" x 36"
- Curb Height : 2"
- Handrail Length : 3'
- Weight\*\* : 58 lbs.
- Usage Guidelines (Rise)\*\*\* : Up to 6"

#### GATEWAY 3G 8-FT RAMP W/VERTICAL PICKETS

- Model No. : GATEWAY3G 08VP
- Usable Size (L x W x H) : 8' x 36" x 34.5"
- Overall Size (L x W x H) : 8' x 41.75" x 36"
- Curb Height : 2"
- Handrail Length : 7'
- Weight\*\* : 98 lbs.
- Usage Guidelines (Rise)\*\*\* : Up to 12"

#### GATEWAY 3G 5-FT RAMP W/VERTICAL PICKETS

- Model No. : GATEWAY3G 05VP
- Usable Size (L x W x H) : 5' x 36" x 34.5"
- Overall Size (L x W x H) : 5' x 41.75" x 36"
- Curb Height : 2"
- Handrail Length : 4'
- Weight\*\* : 68 lbs.
- Usage Guidelines (Rise)\*\*\* : Up to 7"

#### GATEWAY 3G 9-FT RAMP W/VERTICAL PICKETS

- Model No. : GATEWAY3G 09VP
- Usable Size (L x W x H) : 9' x 36" x 34.5"
- Overall Size (L x W x H) : 9' x 41.75" x 36"
- Curb Height : 4"
- Handrail Length : 8'
- Weight\*\* : 118 lbs.
- Usage Guidelines (Rise)\*\*\* : Up to 13"

#### GATEWAY 3G 6-FT RAMP W/VERTICAL PICKETS

- Model No. : GATEWAY3G 06VP
- Usable Size (L x W x H) : 6' x 36" x 34.5"
- Overall Size (L x W x H) : 6' x 41.75" x 36"
- Curb Height : 2"
- Handrail Length : 5'
- Weight\*\* : 78 lbs.
- Usage Guidelines (Rise)\*\*\* : Up to 9"

#### GATEWAY 3G 10-FT RAMP W/VERTICAL PICKETS

- Model No. : GATEWAY3G 10VP
- Usable Size (L x W x H) : 10' x 36" x 34.5"
- Overall Size (L x W x H) : 10' x 41.75" x 36"
- Curb Height : 4"
- Handrail Length : 9'
- Weight\*\* : 128 lbs.
- Usage Guidelines (Rise)\*\*\* : Up to 15"

\* Warranty excludes powder-coated finish.

\*\* Weights and dimensions are approximate and subject to change.

\*\*\* Consult your mobility equipment manufacturer for proper degree of incline; never exceed their recommendations.