

G25JBS05XX Series Contractor

Antimicrobial vinyl coated 2-wall corner grab bar. No maintenance 3mm thick antimicrobial vinyl coating. Concealed ABS 4-hole flange plate.

Mounting hardware supplied for wood stud installation.

Product Data

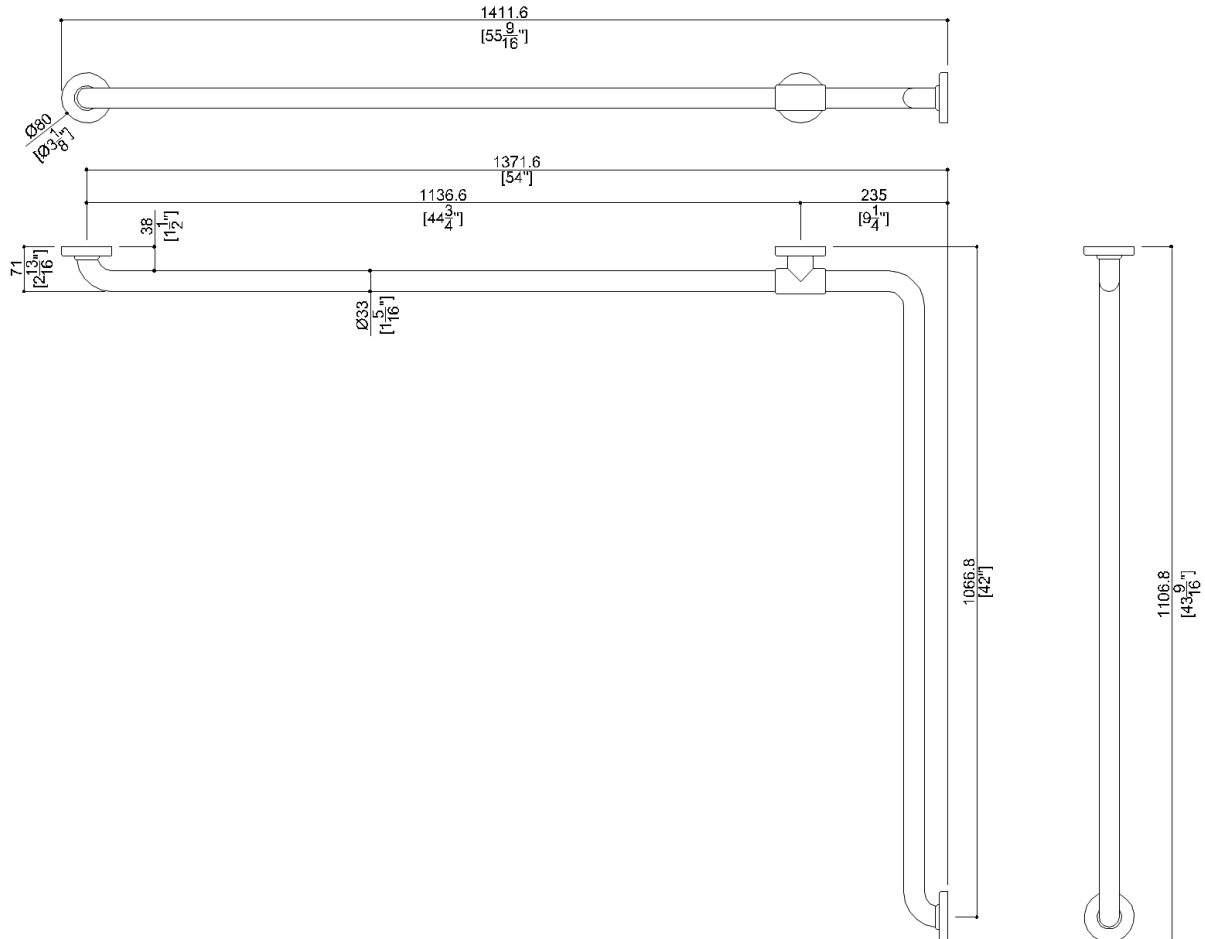
Overall Dimensions (Inch.)	55-9/16x43-9/16x3-1/8
Net Weight (lbs.)	11.6

Installation Hardware Details

Stainless steel screw	TSP 5x60 Inox
-----------------------	---------------

Packaging Details

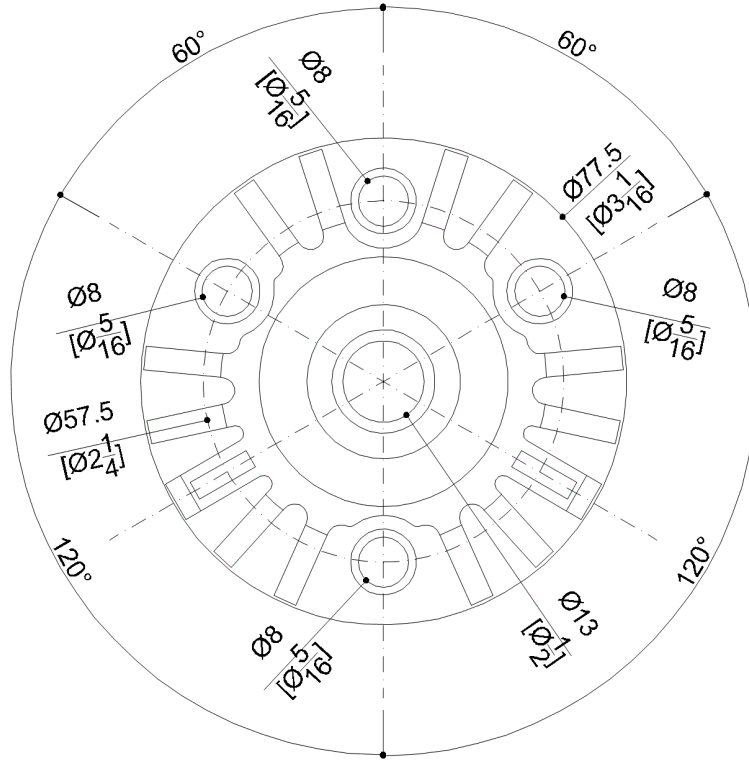
Package	LDPE bag in cardboard box
Package dimensions (Inch.)	6-11/16 x 4-11/16 x 47-5/8
Weight with Packaging (lbs.)	12.76



G25JBS05XX Series Contractor

Y87JKS01

Fixing plate



Available Finishes (xx)

D1 Black	D2 Greystone	I1 Ivory
I2 Biscuit	W1 White	

Load Capacity

Vertical 450 lbs.

Warning

Before installation and use, read the installation and use instructions in their entirety. If questions arise please contact Ponte Giulio company.

Cleaning

Product can be cleaned with a cloth and warm soapy water. Non abrasive, solvent free cleaners can also be used.

Warranty

Please visit www.pontegiulio.com for complete warranty details.

Materials and finishes

Steel	Galvanised
Vinyl	Polished
Polyamide	Polished