

NewEdge Bathtub EZ6034 TO with Transfer Seat Installation Instructions

Tools you might need for proper installation

- galvanized nails or screws
- large level
- hammer or screw gun
- shims
- adhesive



Thank you for your purchase! For best results, please read and follow all directions carefully.

Pre-INSTALLATION PLANNING

READ INSTRUCTIONS COMPLETELY
 BEFORE BEGINNING INSTALLATION

1. Do not store units out of doors.- Keep out of sunlight and exposure to weather.
2. Review Figure 3 and dimensioned bathtub diagrams to make sure alcove is of proper size. If a fire rated alcove is required, approved finish material must be installed prior to unit installation. Access to drain and supply connections should be provided so that these connections may be made after the unit has been installed. Framing alcove must reflect dimensions on diagram to permit installation of unit. Note in diagram the required opening in the floor to provide clearance for the drain trap and fitting connection.
3. The wide mounting flange is approximately 5/8" thick. Attach tub to framing with countersunk fasteners through this flange at an angle into each stud. Wall board will be installed to the framing above the flange. Stop the wall board with a 1/16" gap to the tub flange.

See Figure 3 for details on mounting the bathtub and wall board installation and finishing.

INSTALLATION PROCEDURE

1. Make certain your recessed framed pocket is square and plumb in accordance with rough-in dimensions. You may prefer to complete framing of the back wall and the plumbing end wall then frame out the opposite end wall after the unit has been set.

Place Support Shims

The shims need to be in place under the bottom back edge of the unit after the bathtub is leveled. An adhesive needs to be applied to the bottom of each shim to permanently secure it in place. A minimum of two shims must be used on each unit to ensure proper support.

Place shims under wood support at back.

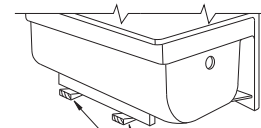


Figure 1

Note double studs are necessary at the front.

2. Finish rough plumbing, but leave unstrapped at this stage. Find drain line and trap locations as shown in framing diagram.
3. Drain and Overflow assembly should be installed on unit according to the manufacturers instructions. Apply a bead of 100% silicone caulk, around the drain opening in unit before installing the fitting. A 12" x 6" minimum cutout in the sub floor is needed to provide access to the drain fitting.
4. Now move unit into place. Align the lower edge of the apron in approximate position and tilt back into place.
5. Plumb and level the unit in two directions: Place a level on top of the apron, and along the finished flat area at the top of the wall at each side. When leveled, re-check wood wedges under the back edge of the tub to be sure they are providing proper support.

Adhesive should be used to ensure wedges will not shift over time. (See Figure 1).

Mount unit to framing with 6d galvanized nails or screws through the mounting flanges to all studs.

EZ6034 TO with Transfer Seat Installation Instructions

6. Make connections to supply and drain lines. Strap all lines to the framing.

7. This bathtub has wide mounting flanges. Wall board is intended to be installed above the mounting flange. Finishing materials such as ceramic tile will extend over the bathtub mounting flange to conceal it.

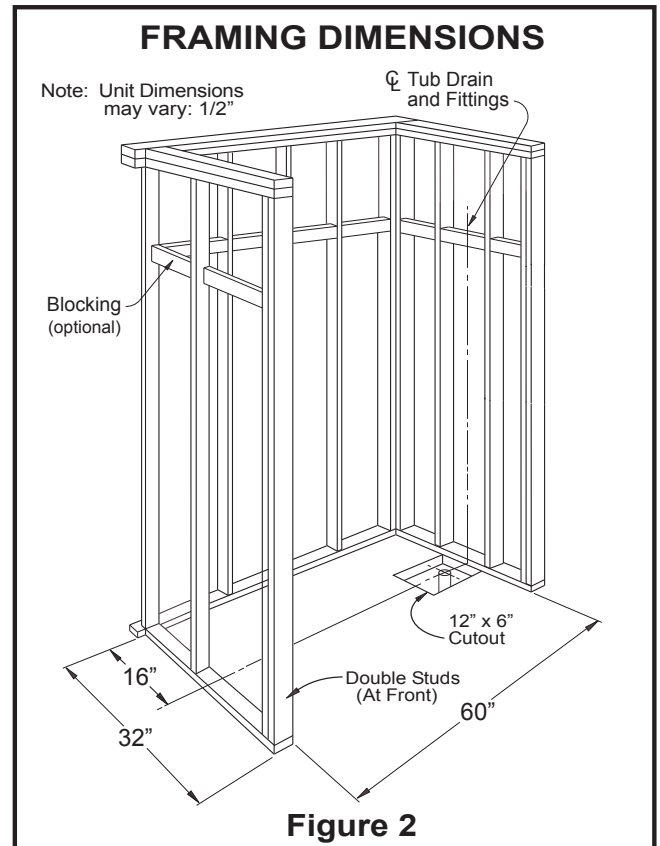
See Figure 3 for details on wall board and finishing - Drill pilot holes at an angle through the wide flange at stud locations. Counter-sink so fastener head is recessed into the wide flange. Install fastener into each stud. Figure 3 diagrams a suggested wall finishing method using ceramic tile to conceal the flange and fastener. Caulk all seams between finished wall and bathtub.

Check for leaks before closing off plumbing access. Praxis Companies is not responsible for leaking connections.

DO NOT USE ABRASIVE CLEANERS

The most important caution is to avoid use of harsh abrasive cleaners or gritty scouring powders. To clean the unit, simply use a household liquid detergent with soft sponge cloth and warm water. More persistent stains, tar, or paint can be removed with naphtha or mineral spirits.

Remove excess plaster by scraping with a sharpened soft wood stick. Avoid wire brushes, metal scrapers or tools. Restore dull areas by rubbing with automotive type body cleaning compound.



EZ 6034 TO with Transfer Seat Installation Instructions

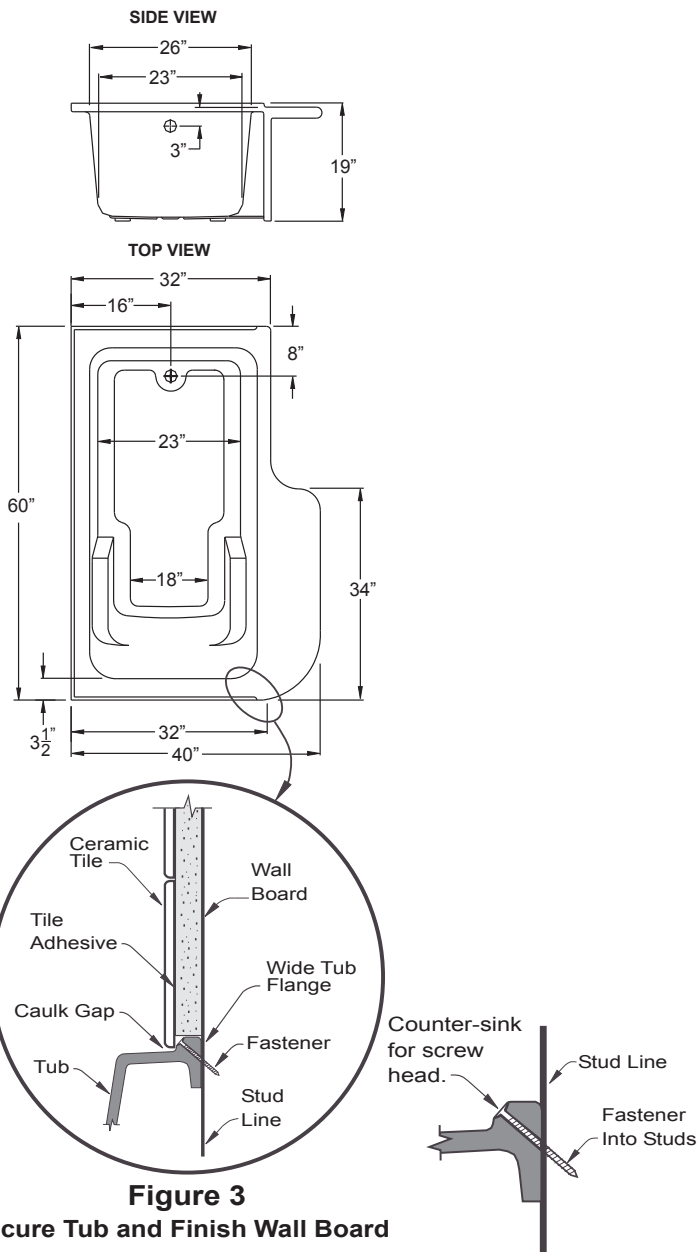
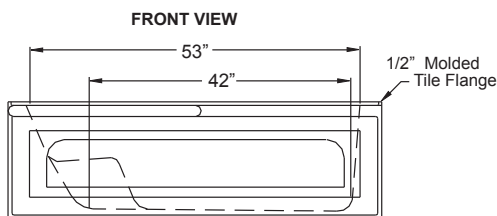


Figure 3

Secure Tub and Finish Wall Board



manufactured of fiberglass reinforced polyester resin, that it will, free of charge, repair or exchange as its option, any Praxis Companies, LLC unit found to be defective in materials or workmanship upon inspection by an authorized representative of Praxis Companies, LLC for a period of thirty (30) years from date of purchase. The exchange of a unit is limited to supplying a replacement unit of comparable size and style and does not include any costs of removal or installation. This warranty shall be voided if the unit is moved from its place of initial installation or is not installed in accordance with the instructions supplied by the manufacturer of the unit. Further, this warranty does not apply if the unit has been subjected to accident, abuse, misuse, damage caused by flood, fire or act of God. Since local code requirements vary greatly throughout the country, distributors, dealers, installation contractors and users of plumbing products should determine whether there are any code restrictions on the use of a specific product. Praxis Companies, LLC makes no representation or warranty regarding and shall not be responsible for any code compliance. The owner agrees by use of this unit that the obligations of Praxis Companies, LLC shall not exceed to contingent or indirect damage or injury to the structure of its contents, that the obligations of Praxis Companies, LLC are limited to those set forth herein, and that no other obligations, expressed or implied, are assumed by Praxis Companies, LLC.

© 2014, The Praxis Companies, LLC
 435 Industrial Rd., Savannah, TN 38372
 Customer Service: 800.443.7269
www.praxiscompanies.com

EZ 6034 TO manufactured for EZ Able[®] by Praxis Companies, LLC. Product is warranted by Praxis Companies, LLC