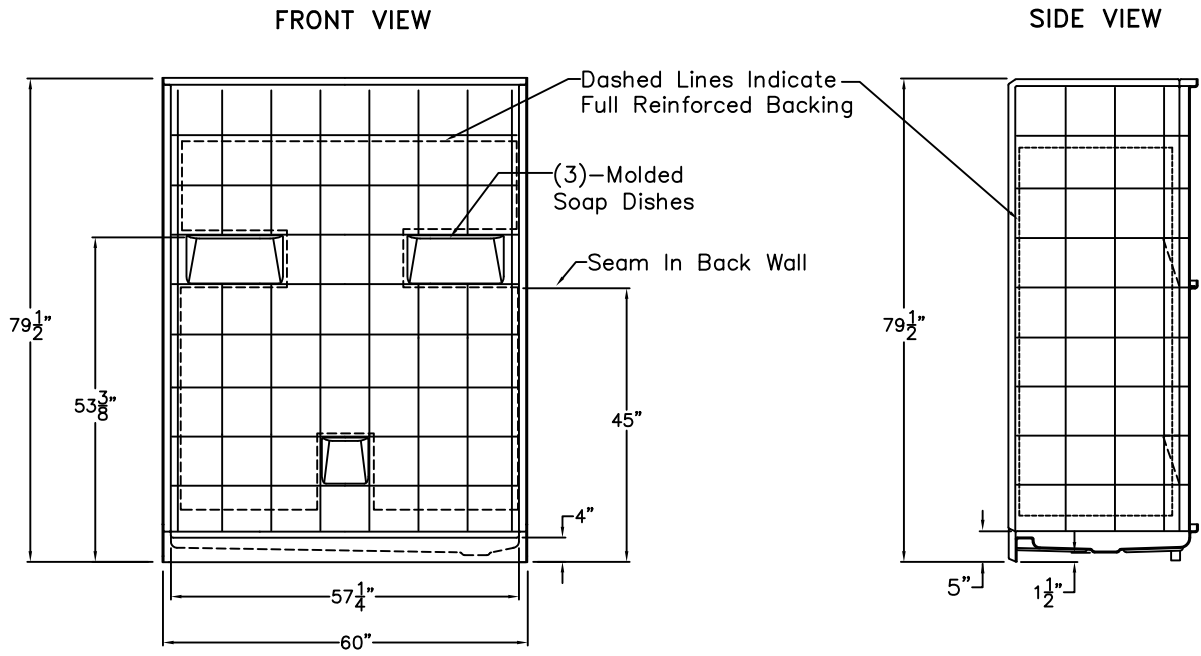


# Comfort Series

## SUBMITTAL DATA © 2002



**Sectional Shower**

This shower enclosure shall be Model EZA 6030 SH 5P 1.0 left or right drain location. Finished surface shall be of sanitary-grade applied acrylic. The unit shall have outside dimensions of 60" x 31" x 79 1/2". The unit shall meet IAPMO Z124-2011, and CSA B45.5-11.

The enclosure shall be equipped with the following factory installed accessories:

- 1) Molded soap ledges,
- 2) Molded lower ledge on back wall,
- 3) Tile finish,
- 4) Five piece sectional design,
- 5) Full reinforced backing on all walls,
- 6) Left or right hand drain location,
- 7) 5.0" threshold.

NOTE: THE INTERIOR DEPTH DOES NOT COMPLY WITH UPC AND IPC CODES

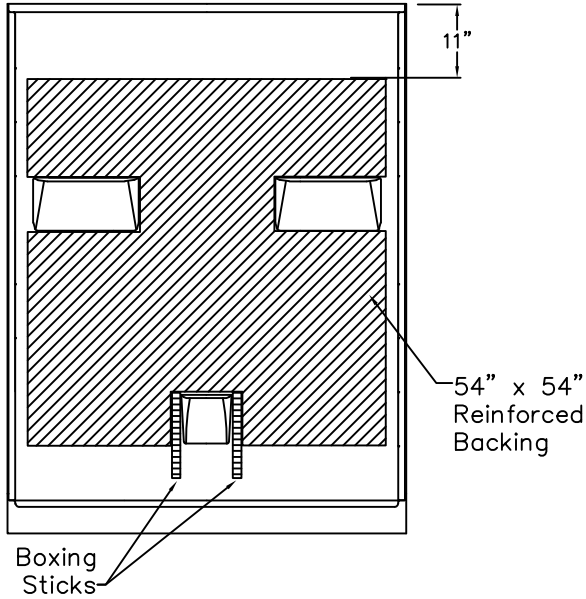
DUE TO THE NATURE OF THE MATERIALS INVOLVED  
UNIT DIMENSIONS MAY VARY ± 1/2 INCH

<b>Job Name:</b>	<b>EZABLE</b>
<b>Approved by Print Name:</b>	<b>Drawing#:</b> EZA 6030 SH 5P 4.0 FWB
<b>Approved by Signature:</b>	<b>Date:</b> 3-31-09 <b>Revised:</b> 8-17-17
<b>Rep.:</b>	<b>Wholesaler:</b> <b>Quote No.</b>

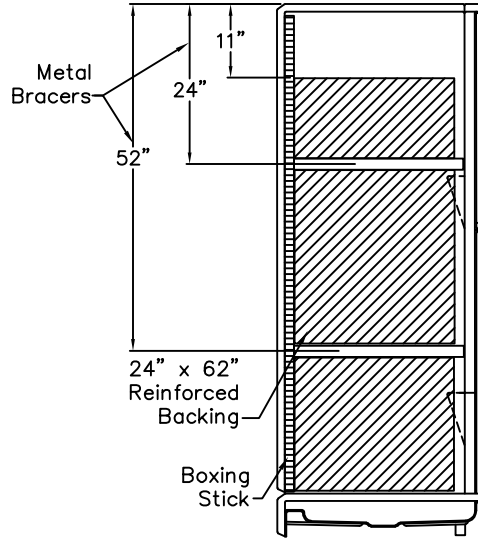
# Backing Placement Drawing

SUBMITTAL DATA © 2004

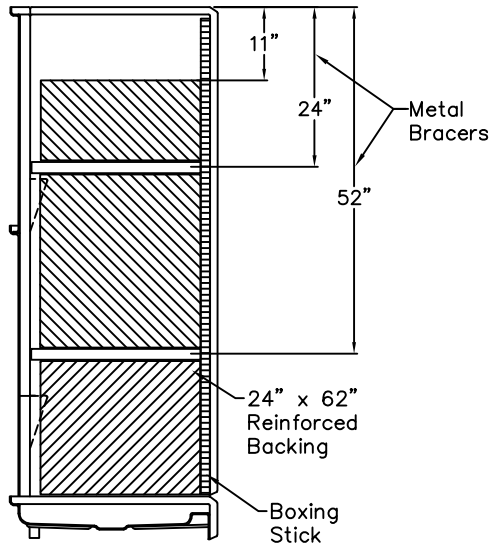
FRONT VIEW



DRAIN SIDE VIEW



SIDE VIEW



DUE TO THE NATURE OF THE MATERIALS INVOLVED  
UNIT DIMENSIONS MAY VARY  $\pm 1/2$  INCH

Job Name:	EZABLE	
Approved by Print Name:	Drawing#: EZA 6030 SH 5P 4.0 FWB-BP	
Approved by Signature:	Date:	Date: 3-31-09      Revised: 8-17-17
Rep.:	Wholesaler:	Quote No.: