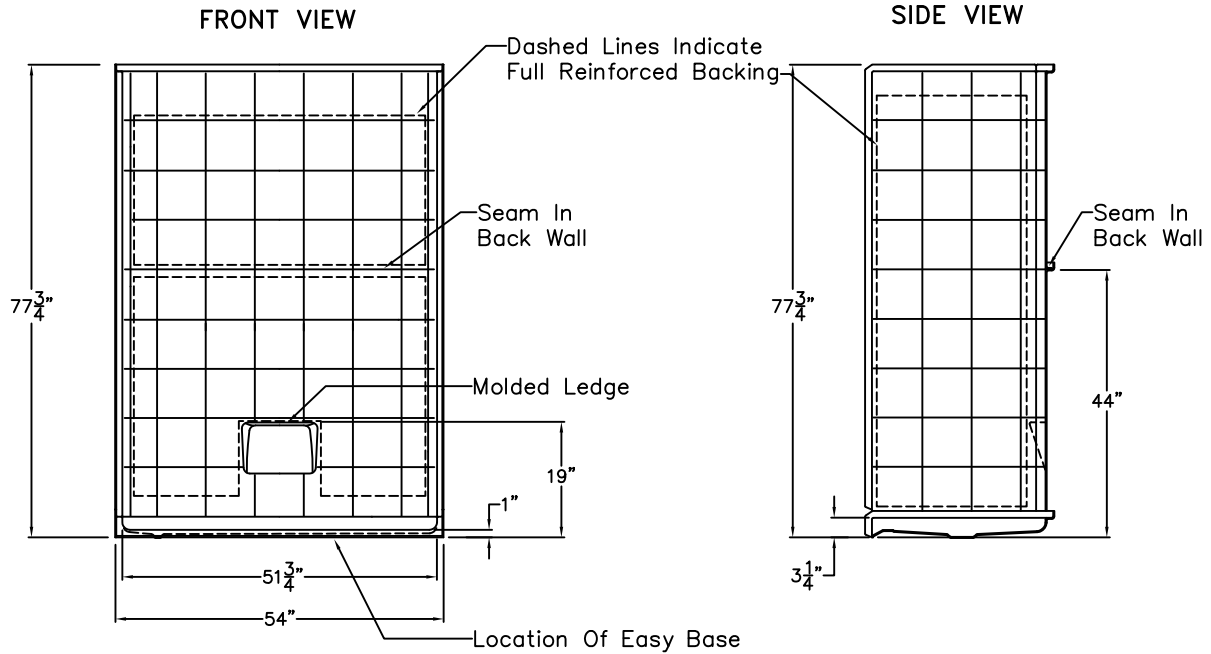
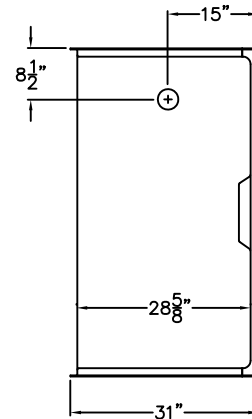


Comfort Series

SUBMITTAL DATA © 2002



TOP VIEW



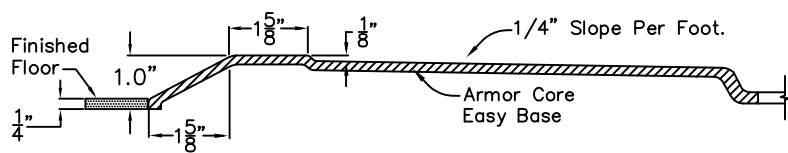
Sectional Shower

This shower enclosure shall be Model 5430 BF 5P 1.0 left or right drain. Finished surface shall be of sanitary-grade applied acrylic. The unit shall have outside dimensions of 54" x 31" x 77 3/4". The unit shall meet IAPMO Z124-2011, and CSA B45.5-11.

The enclosure shall be equipped with the following factory installed accessories:

- 1) Molded lower ledge on back wall,
- 2) Tile finish,
- 3) Five piece sectional design,
- 4) Full reinforced backing on all walls,
- 5) Factory installed Armor Core Easy Base,
- 6) Left or right hand drain location,
- 7) 1.0" threshold.

Detail of 1.0" Threshold



DUE TO THE NATURE OF THE MATERIALS INVOLVED
UNIT DIMENSIONS MAY VARY ± 1/2 INCH

Job Name:

EZABLE

Approved by Print Name:

Drawing#: EZA 5430 BF 5P 1.0 FWB
Easy Base

Approved by Signature:

Date:

Date: 3-31-09

Revised: 8-17-17

Rep.:

Wholesaler:

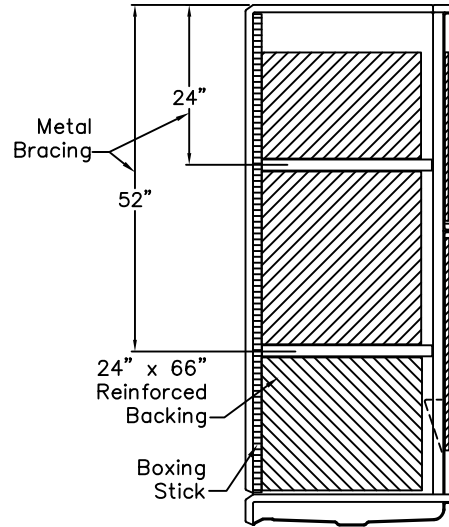
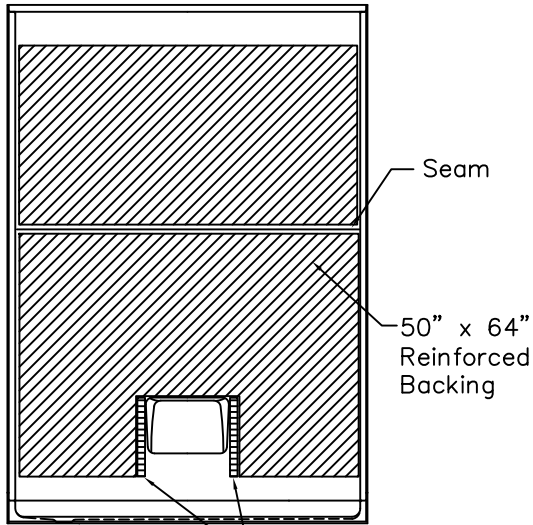
Quote No.

Backing Placement Drawing

SUBMITTAL DATA © 2004

FRONT VIEW

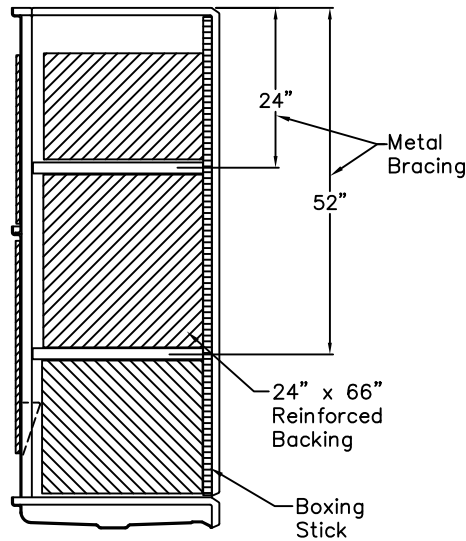
SIDE VIEW



Easy Base

Boxing Sticks

SIDE VIEW



DUE TO THE NATURE OF THE MATERIALS INVOLVED
UNIT DIMENSIONS MAY VARY ± 1/2 INCH

Job Name:	EZABLE	
Approved by Print Name:	Drawing#: EZA 5430 BF 5P 1.0 FWB Easy Base-BP	
Approved by Signature:	Date:	Date: 3-31-09 Revised: 8-17-17
Rep.:	Wholesaler:	Quote No.: