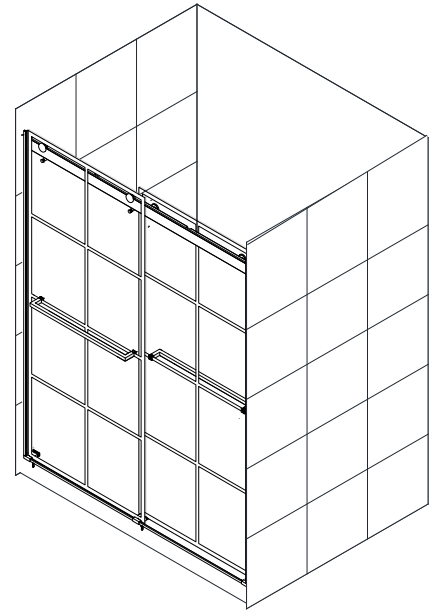
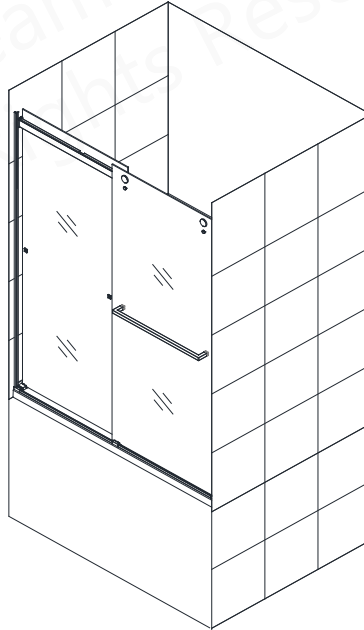
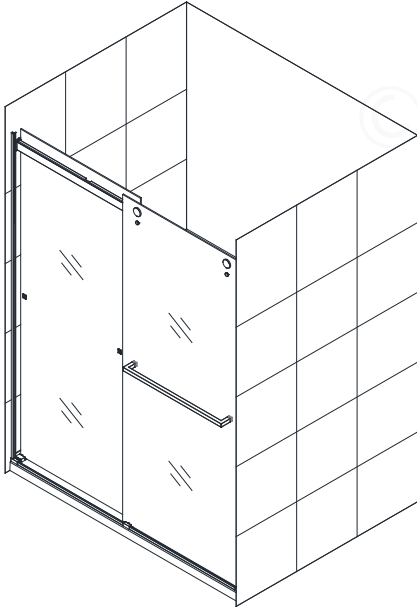


ESSENCE

SHOWER DOOR INSTALLATION INSTRUCTIONS

PLEASE REVIEW THIS ENTIRE MANUAL PRIOR TO INSTALLATION



Models:

SHDR-6348760-XX
SHDR-6360760-XX
SD6360W760XXF##
SD6348W760XXF##
SHDR-6348760G-XX
SHDR-6360760G-XX

Model:

TDES60W600XX0X##

XX or ## =Finish:

01 - Chrome
04 - Brushed Nickel
09 - Satin Black

Toulon Glass Pattern:

SD6360W760XXX89
SD6348W760XXX89

Add'l. Glass Options:

XXF = Frosted Glass
G = Gray Glass

IMPORTANT!

DreamLine® reserves the right to alter, modify or redesign products at any time without prior notice for the purpose of product improvement and customer experience. Please refer to the model's web page on DreamLine.com for the latest technical drawings, installation manuals, warranty information or additional product details.

Please review this entire manual prior to installation

Do Not Return Product to the Store. Contact DreamLine® with any questions



Questions?

Please contact DreamLine Customer Support
See DreamLine.com for hours of operation

Support@DreamLine.com

1-866-731-2244





Do not remove ClearMax stickers until glass is installed.



This model is treated with DreamLine’s exclusive ClearMax™ Glass technology. This is a specially formulated coating that prevents the build up of soap and water spots.

Install the surface with the ClearMax™ label towards the inside of the shower. Please note that depending on the model, the glass may be coated on either one or both surfaces.

Do not remove ClearMax labels until the glass is installed.

For best results, squeegee the glass after each use and dry with a soft cloth.

Record the following purchase information for your records or in the event you need to contact DreamLine®:

Purchase Order Number _____

Store/Vendor Purchased From _____

Installation Date _____

OD Number (optional) _____
*found on the shipping box or label if available.

Installed By: _____

SKU Number _____

Table of Contents

Section Title	Page #
ClearMax [®] Coating Information	—
Warnings and General Preparation	2
Model-Specific Preparation	3
Tools & Tips	4
Detailed Diagram of Shower Door Components	5
Parts List	6
Installation Steps	7-23
Product Maintenance	24
Troubleshooting	25
Factory Parts Information	26-29

© DreamLine
All Rights Reserved



IMPORTANT

- DreamLine® reserves the right to alter, modify or redesign products any time without prior notice for product improvement and customer experience. Please refer to the model's web page on **DreamLine.com** for the latest technical drawings, installation manuals, warranty information or additional product details.
- This product should be installed by someone familiar with the construction requirements for this type of project and the care necessary for the safe installation and operation of the product.
- The safety of any installation is the responsibility of the installer.
- Professional installation recommended. *(All Models)*
- Professional installation required. *(Enigma Series)*
- To prevent damage or serious injury, Do Not lean against the installed panel/door/glass.
- To prevent damage or serious injury: Do Not attempt to lift or move a heavy lite of glass alone. Use an assistant and/or a professional grade glass suction cup.
- The installation of some models may require drilling down into the threshold. Contact the manufacturer of the base, tub, or threshold material with any questions regarding the drilling of holes into their product.
- All drawings in this installation manual are for illustrative purposes only and are not drawn to scale.

TEMPERED GLASS WARNING

- Your Shower Door Glass Could Shatter Without Warning if Improperly Installed or Mishandled
- Do Not install or operate a shower door if the glass has chipped corners, slivered edges or is otherwise damaged and/or has been dropped or banged into a hard surface such as tile, marble or glass.
- **The main causes of tempered glass breakage are:**
 - Improper handling, storage or installation
 - Misuse/abuse
 - Lack of maintenance
 - Failure to replace damaged glass
 - **Improper handling during storage, unpacking and installation:**
 - Corners and edges are the most susceptible area to damage on a lite of tempered glass and should be protected and handled with care during storage, unpacking, installation and operation. A concentrated point of pressure or impact with a surface harder than itself may cause the tempered glass to shatter. The tempered glass may release immediately, within several hours or even days later.
 - **Incorrect installation of door hardware, rollers, hinges, channels, stopper or glass:**
 - Improper installation may include: loose hardware and/or lack of proper gaskets between the hardware and glass. Additionally, improper alignment of guide rails, wall profiles or other hardware during installation or operation may place stress on the glass edges and cause it to break.
 - This product must be installed by a professional and experienced installer familiar with the safe handling of tempered glass.
 - **Improper use of this product:**
 - Aggressively opening or closing the door may cause trauma to the glass, which can lead to breakage. This may occur immediately or hours or even days later.
 - **The shower door hardware and glass should be inspected periodically:**
 - Instruct the homeowner how to perform a periodic inspection of the shower hardware and glass - some minor adjustments may be necessary based upon the use (or misuse) of the shower door. Ensure that the hardware remains tight and that the door alignment and operation are correct. Any adjustments should be made upon discovery to prevent damage to the product.
 - Additional considerations should be given to the installation of frameless tempered glass products in households with young children or an elderly person due to an increased chance of improper handling. In such cases, alternatives such as shower curtains or grab bars should be considered.

GENERAL PREPARATION

- After opening all boxes and packages, read this introduction carefully. Check that all the items are included in the package by marking off the components on the "**Detailed Diagram of Product Components**" page. Examine all boxes and packages for shipping damage. If the unit has been damaged, has a finishing defect, or is missing parts; please contact our Customer Support department within 3 business days of the delivery date. **Please note that DreamLine® will not replace any damaged products or missing parts free of charge after 3 business days or if the product has been installed.** Please contact DreamLine® if you have any questions.
- **Please note that you should refer to your local building codes with questions on installation compliance standards. Building and plumbing codes may vary by location, and DreamLine® is not responsible for code compliance standards for your project and will not accept any returns.**
- If this unit is going to be installed in a new construction, install all the required plumbing and drainage before installing the shower. **Use a competent and licensed (if required by local code) plumber for all plumbing installation.**
- Make sure that prior to beginning the installation, the surfaces are leveled and solid and will be able to support the total weight of the unit. Also make sure the walls are at right angles. Irregular installation surface level, radius corners or improper angle of side walls will result in serious problems for your installation. Please note that some adjustments and drilling will be necessary during the installation process.
- Protect all primary surfaces of the product during installation. Never set your glass down directly onto a tile floor. Leave corner protectors in place until it is necessary to remove them. Always use a piece of wood or cardboard to protect the bottom edge and corners of the glass prior to and during installation.
- This unit must be installed upon a finished threshold and against finished walls.
- *DreamLine® shower doors are not designed to be installed into a fiberglass surround due to the radius corners and lack of a solid surface to mount the hardware.*

WARNING: TO AVOID THE RISK OF DAMAGE OR INJURY:

- **Follow all recommendations and requirements as shown in the installation instructions.**
- Perform a thorough inspection of the glass and all parts for any damage prior to installation. Any damage to tempered glass can cause breakage. **Do Not install damaged glass!**
- Do Not install or operate a shower or tub door if the glass has chipped corners, slivered edges or is otherwise damaged. Do Not install or operate a shower or tub door that has been dropped or banged into a hard surface such as tile, marble or glass.
- **CAUTION:** Contact with any hard surface can damage tempered glass and cause it to shatter.
- This product uses tempered glass. Glass cannot be cut after it has been tempered. **Do Not attempt to cut tempered glass.**
- DreamLine® Glass Shower doors, Tub doors, Inline panels, and Return panels can shatter due to improper handling or lack of maintenance. Conduct periodic inspections of glass and all parts for possible damage, missing or loose parts.
- Always wear proper safety equipment such as: safety goggles, work gloves and appropriate footwear during the installation process.
- **WARNING. Risk of leakage and/or damage.** Follow all instructions regarding the application of silicone sealant or caulk. Allow 24 hours for the sealant to cure before the initial use of the shower or tub product. Follow the silicone manufacturer's recommendations regarding the use of their product.
- **Thoroughly read these instructions before installing or using this product.**
- **Leave this manual for the end-user of the product.**



This product should be installed by someone familiar with the construction requirements for this type of project and the care necessary for the safe installation and operation of the product.

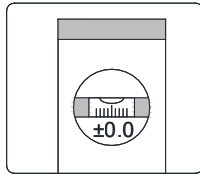
Model Specific Preparation



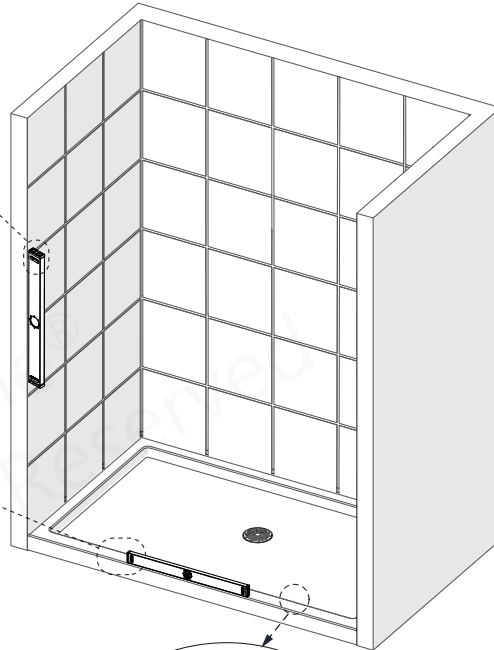
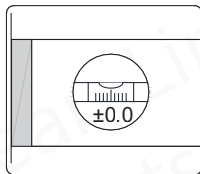
REQUIRED:

Measure the finished opening before proceeding with the installation to be sure that the correct model size has been ordered.

1/4" Out-of-Plumb Adjustment by adjusting rollers; Verify threshold and walls with a level



Threshold must be level



Leave corner protectors on the glass until it is necessary to remove them!

2-3/4" minimum threshold

2-3/4" minimum threshold

Threshold must be level



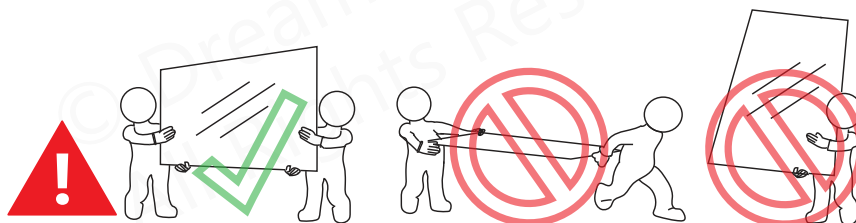
Note: The installation of this unit requires drilling into the threshold. Contact the manufacturer of the base, tub or threshold material with any questions regarding the drilling of holes into their product.



These instructions will show the installation of the shower door. Please follow the same steps for the installation of the tub door.

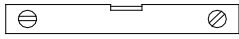


Use a good quality waterproof, mildew-resistant 100% silicone caulk.

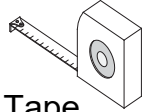


Professional installation recommended. Two installers required.

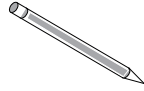
Tools



Level



Tape Measure



Pencil



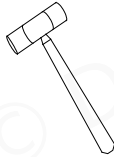
Drill bit
(Ø5/16")
(Ø8mm)



Drill bit
(Ø1/8")
(Ø3mm)



Phillips
Screwdriver



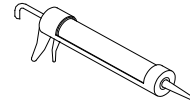
Mallet



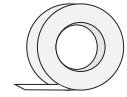
Screw Gun



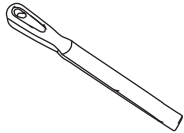
Drill



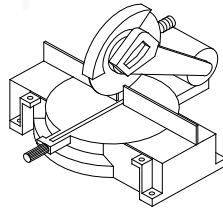
Silicone



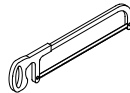
Painter's Tape



Metal File



Miter saw or Hacksaw



Work Gloves



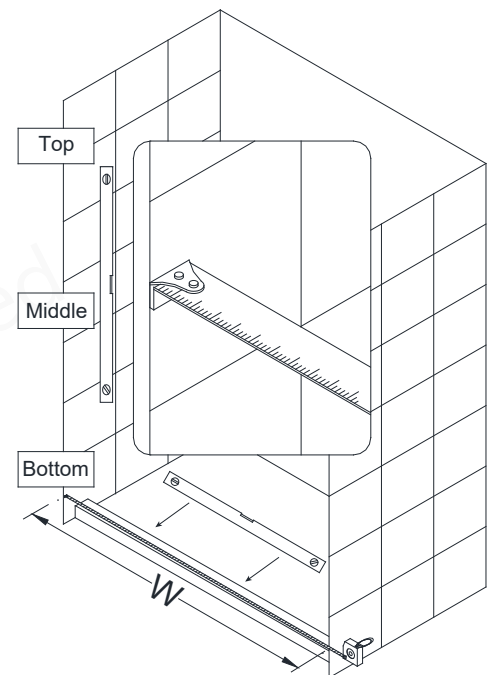
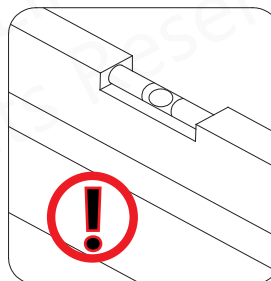
Safety Glasses

Tip: Measure the finished opening before proceeding with the installation to be sure that the correct model size has been ordered.

Tip: Prior to installation, cover the shower/tub drain with tape to prevent losing screws or small parts.

Tip: Set screw gun clutch to low setting when installing screws and bolts to prevent stripping the heads.

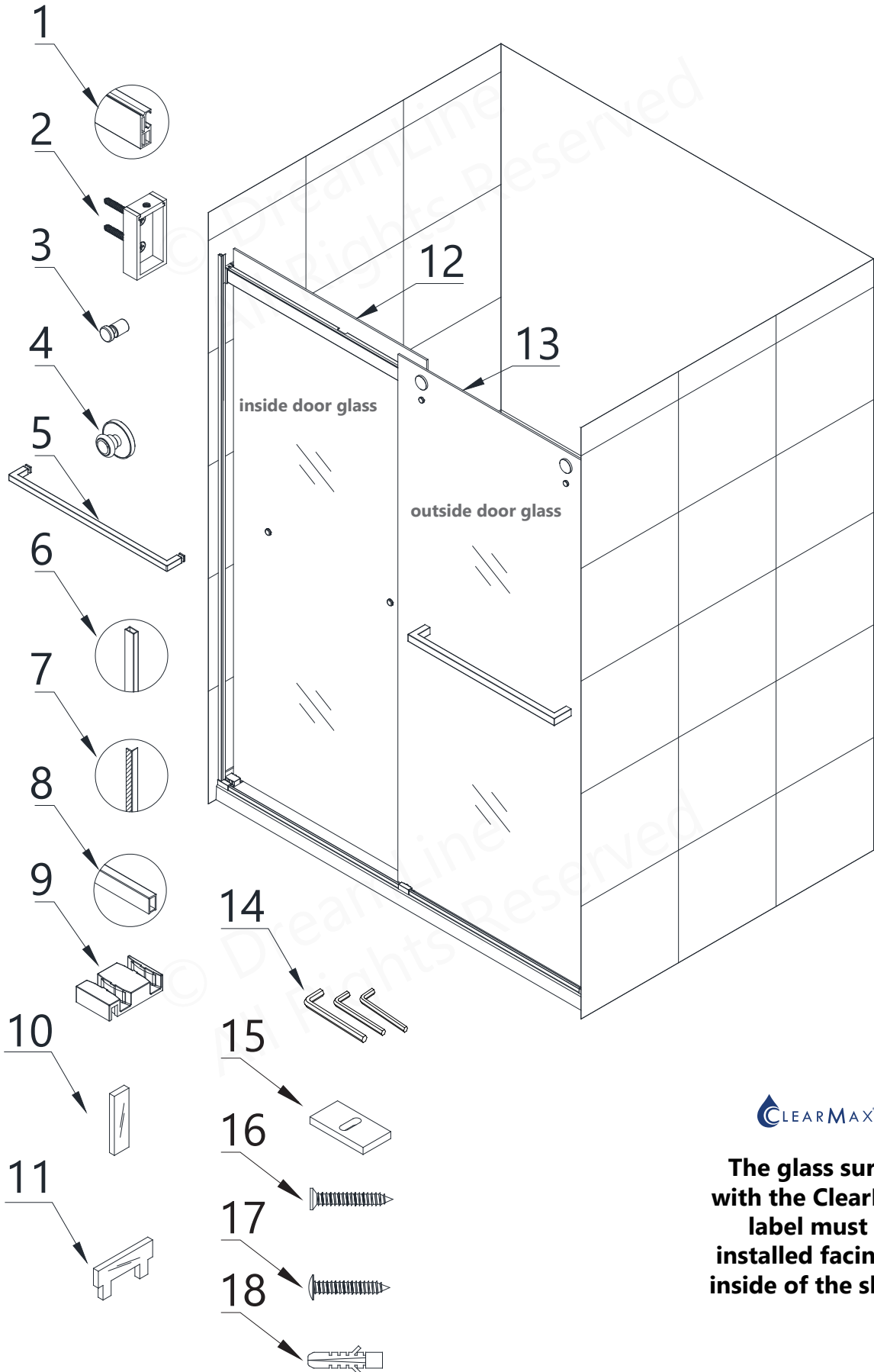
Threshold must be level.



NOTE: Unpack your unit carefully and inspect it. Identify all parts using the detailed diagram and packing list in this manual as a reference. Before discarding the carton, check for small hardware bags that may have fallen to the bottom of the box. If any parts are damaged or missing, please contact DreamLine® for replacement. The shipping boxes may contain extra parts not used in your model configuration.

NOTE: Retain these installation instructions for future reference.

Detailed Diagram of Shower Door Components



The glass surface with the ClearMax™ label must be installed facing the inside of the shower

Parts List

#	Item	Qty	#	Item	Qty
01	Upper Guide Rail	1pc	10	Upper Bumper	4pcs
02	Wall Bracket Assembly	2pcs	11	Bottom Bumper	2pcs
03	Roller Guard	2pcs	12	Inside Door Glass	1pc
04	Roller	4pcs	13	Outside Door Glass	1pc
05	Towel Bar	2pcs	14	Allen Wrench: 2.5mm / 3mm / 4mm	1each
06	Wall Profile	2pcs	15	Guide Block Bracket	3pcs
07	Anti-Water Side Strip	2pcs	16	Countersunk Screw ST4.2 x 40	4pcs
08	Bottom Rail	1pc	17	Truss Head Screw ST4.2 x 40	3pcs
09	Guide Block	3pcs	18	Ø5/16" (8mm) Wall Anchors	7pcs

Boxes

#	Box	Package Contents by part#
1	Glass Box	7. 12. 13
2	Profile and Acc Box	1. 2. 3. 4. 5. 6. 8. 9. 10. 11. 14. 15. 16. 17. 18

© DreamLine
All Rights Reserved

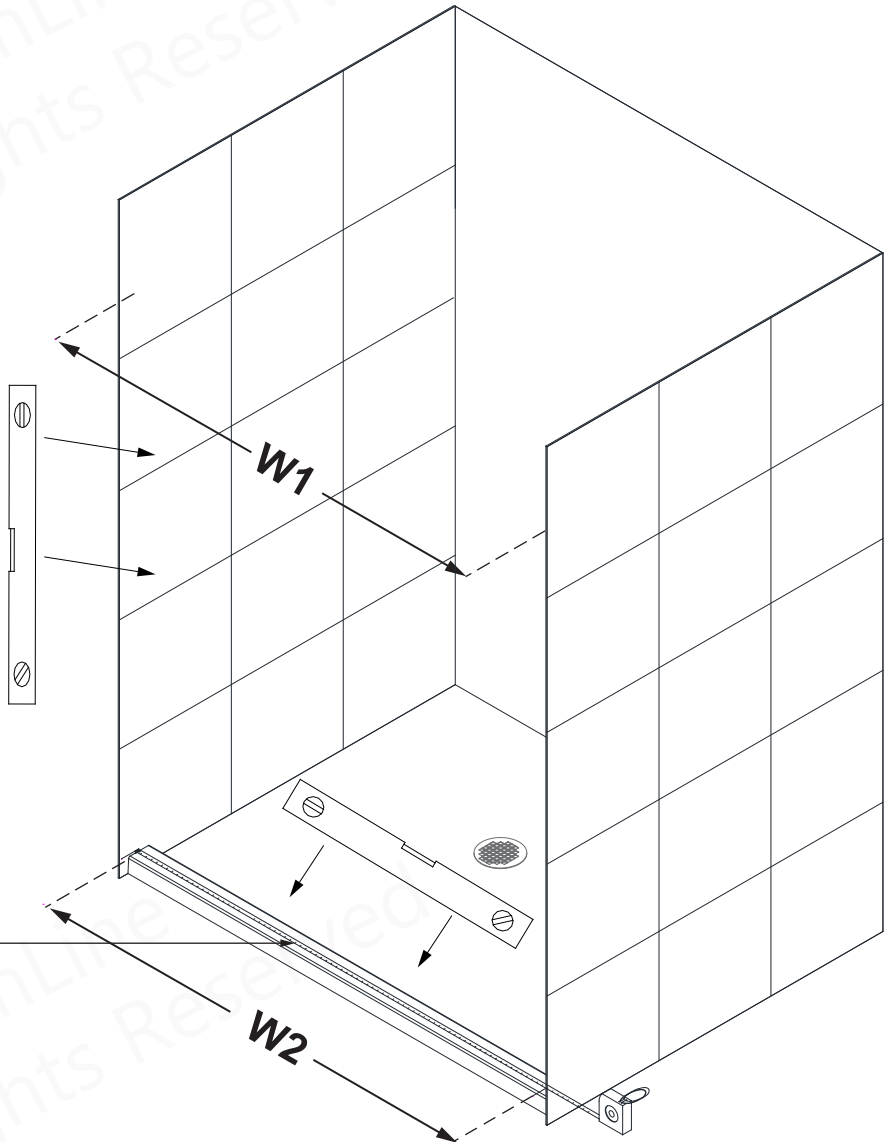
Installation Steps

1. Measure the finished opening width at the bottom and at the model height. Use these dimensions as “**W1**” (top) and “**W2**”(bottom) in step #2. Also check the threshold for level and the walls for plumb. (**Fig 1**)

NOTE: This model will only accommodate up to 1/4” for out-of-plumb conditions.



It is extremely important that the threshold is level across the opening. An out-of-level threshold will cause significant challenges to the proper installation and function of this shower door.



_____ Finished opening top (W1)

_____ Finished opening bottom (W2)

Fig 1

2. Cut the **Upper Guide Rail (#01)** and the **Bottom Rail (#08)** to fit your finished opening using either a miter saw or a hacksaw:

Cut the **Upper Guide Rail (#01)** to:
"W1" (top) dimension - 1/4"

Cut the **Bottom Rail (#08)** to:
"W2" (bottom) dimension - 1/16"

Use a metal file to remove any burrs from the cut ends. **(Fig 2)**

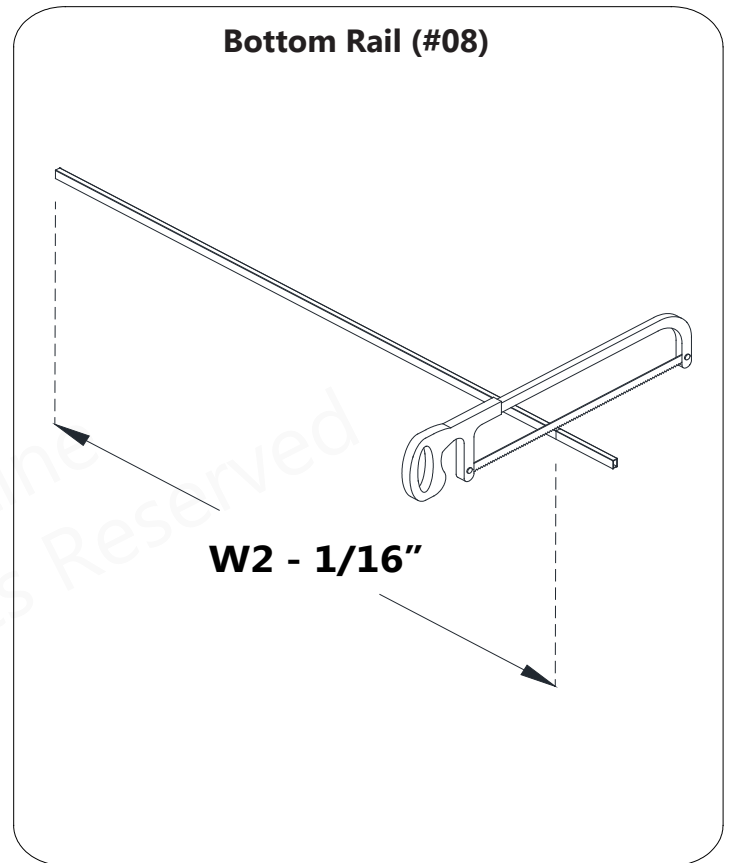
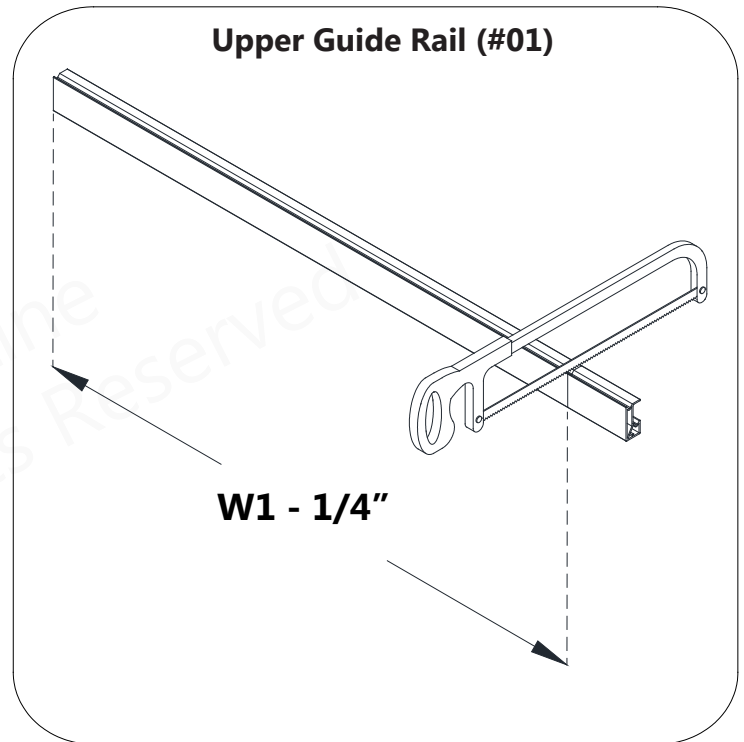


Fig 2

NOTE:

The Upper Guide Rail, Wall Profiles and Bottom Rail are pre-cut for the model size:

Upper Guide Rail (#01) = 48" or 60"

Wall Profiles (#06) = 60" or 76"

Bottom Rail (#08) = 48" or 60"

Only the **Upper Guide Rail (#01)** and **Bottom Rail (#08)** need to be cut to fit the finished opening size.

3. Set the **Bottom Rail (#08)** onto the threshold parallel with the outside edge and mark the position on the threshold. **(Fig 3)**

NOTE: This model requires a minimum 2-3/4" of flat level threshold space for installation.

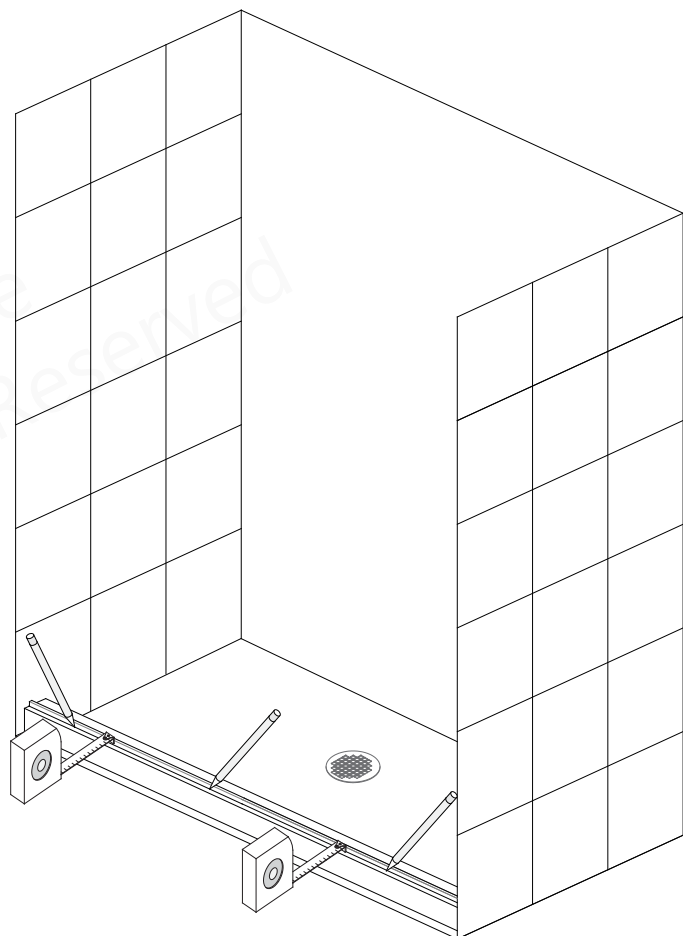
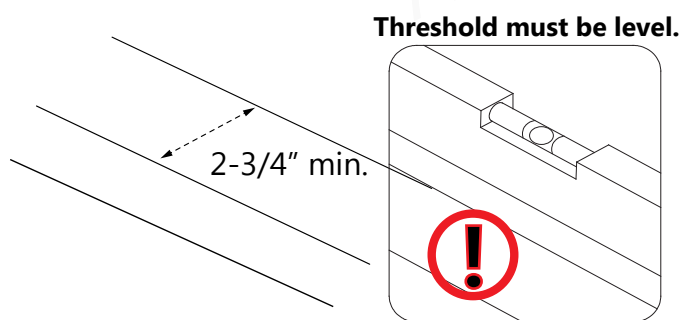


Fig 3



4. Apply silicone into the groove along the bottom of the **Bottom Rail (#08)**. **(Fig 4)**

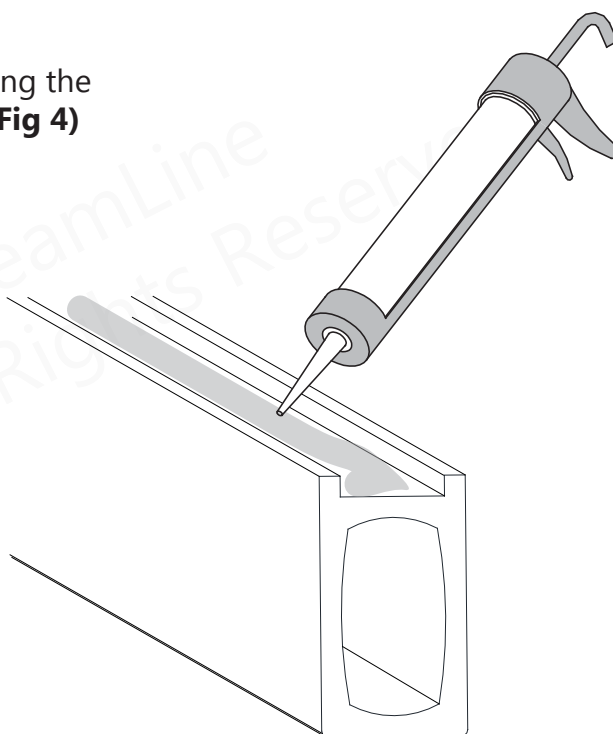


Fig 4

5. Replace the **Bottom Rail (#08)** onto the **marked position** on the threshold. **(Fig 5)**

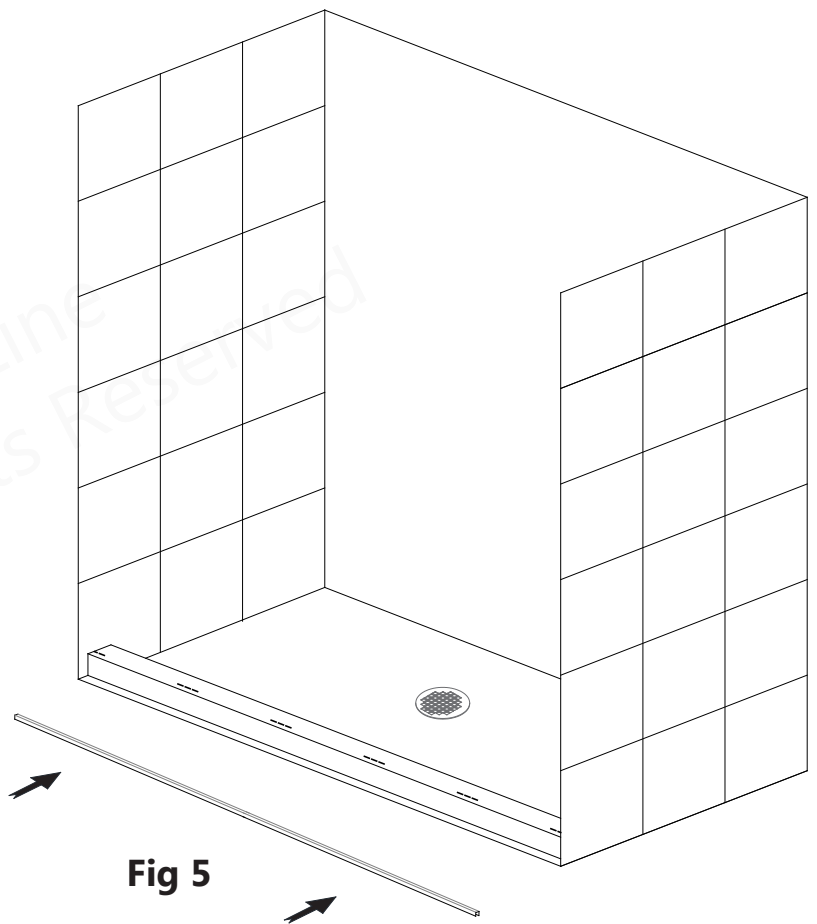


Fig 5

6. Run a bead of Silicone along the inside edge of **Bottom Rail (#08)**. **(Fig 6)**

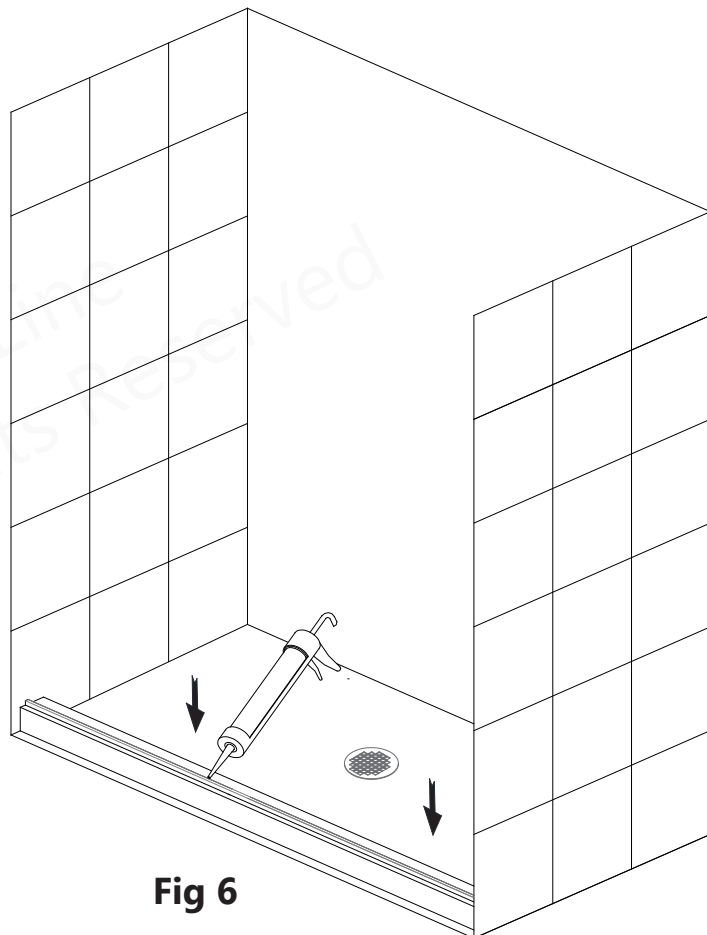


Fig 6



Use several strips of Painter's Tape to hold the bottom rail in position while the silicone cures.

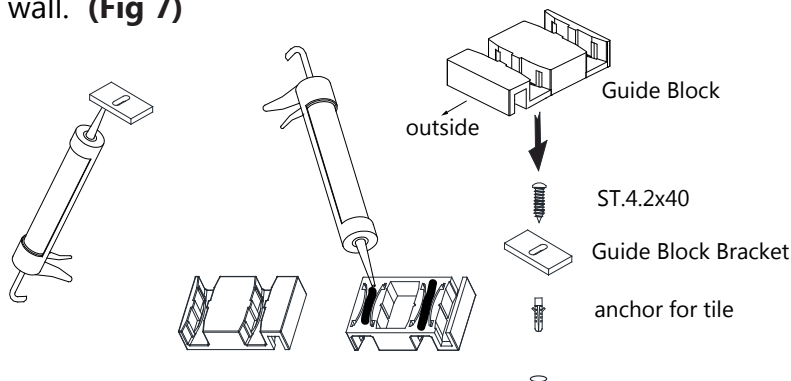
7. Place one of the **Guide Block Brackets (#15)** onto the threshold: **1-1/16" (27mm)** from the outside of the **Bottom Rail (#08)** and 1/8" (3mm) from the wall. Use the Guide Block to check spacing. Mark the hole for drilling. (**Fig 7**)

- For installation onto a tile threshold, drill a **Ø5/16" (8mm)** hole and insert the **Wall Anchor (#18)**
- For installation onto an acrylic threshold, drill an **1/8" (3mm)** hole only and do not use the anchor.

Apply silicone to the bottom of the **Guide Block Brackets (#15)** and attach to the threshold using an **ST4.2 x 40 Truss Head Screw (#17)**.

Apply silicone to the bottom of the **Guide Block (#09)** and install it over the **Guide Block Bracket (#15)** and the **Bottom Rail (#08)**.

Repeat this process for the **Guide Block Bracket (#15)** and **Guide Block (#09)** installation on the opposite wall. (**Fig 7**)



TIP: Use one of the Guide Block Brackets as an 1/8" spacer to offset the bracket's placement from the wall

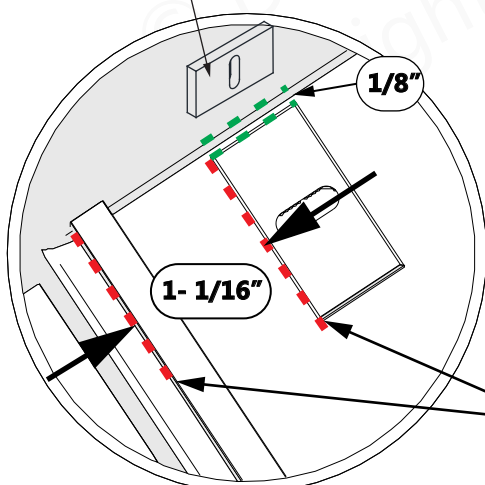


Fig 7 detail

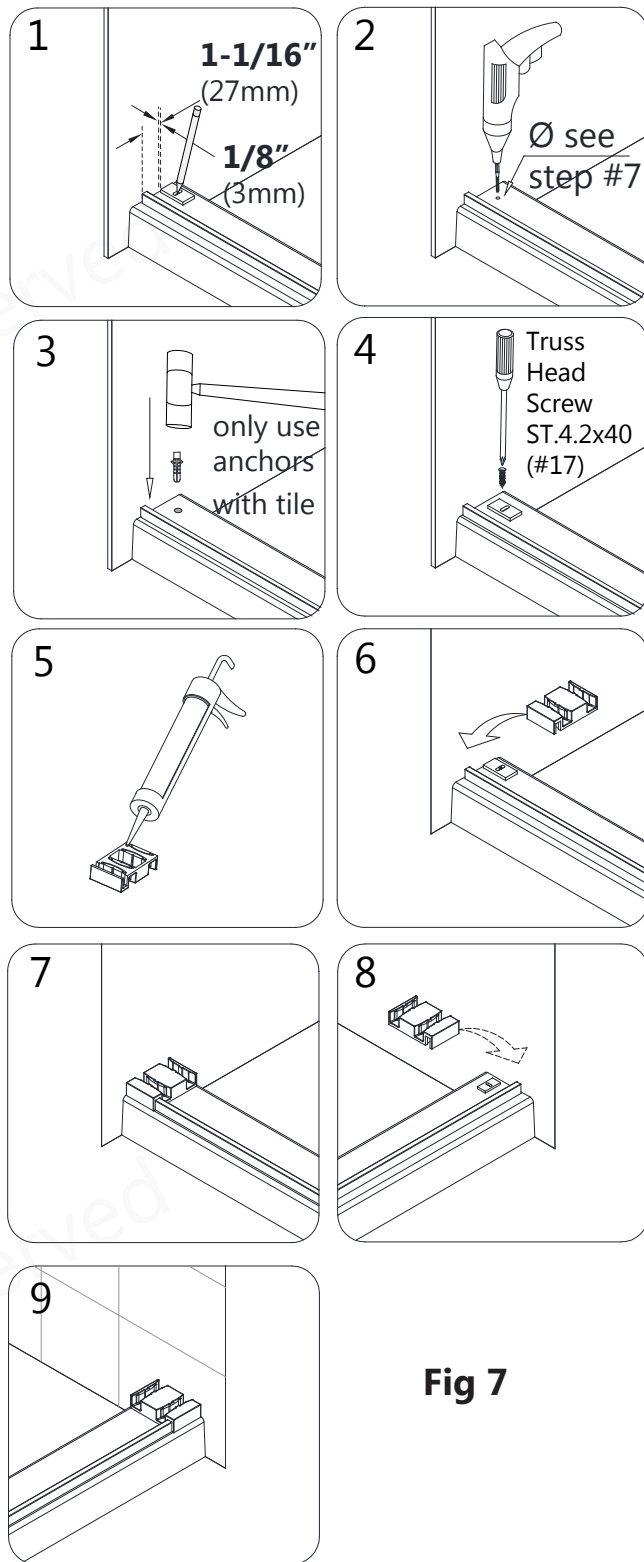


Fig 7



It is extremely important to pay close attention to the measurement instructions in this manual.

Measure from the **outside** of the bottom guide rail to the **front edge** of the guide block bracket. Place the Guide Block over the bracket to check spacing.

8. Measure across the width of the threshold to locate and mark the center. (Fig 8)

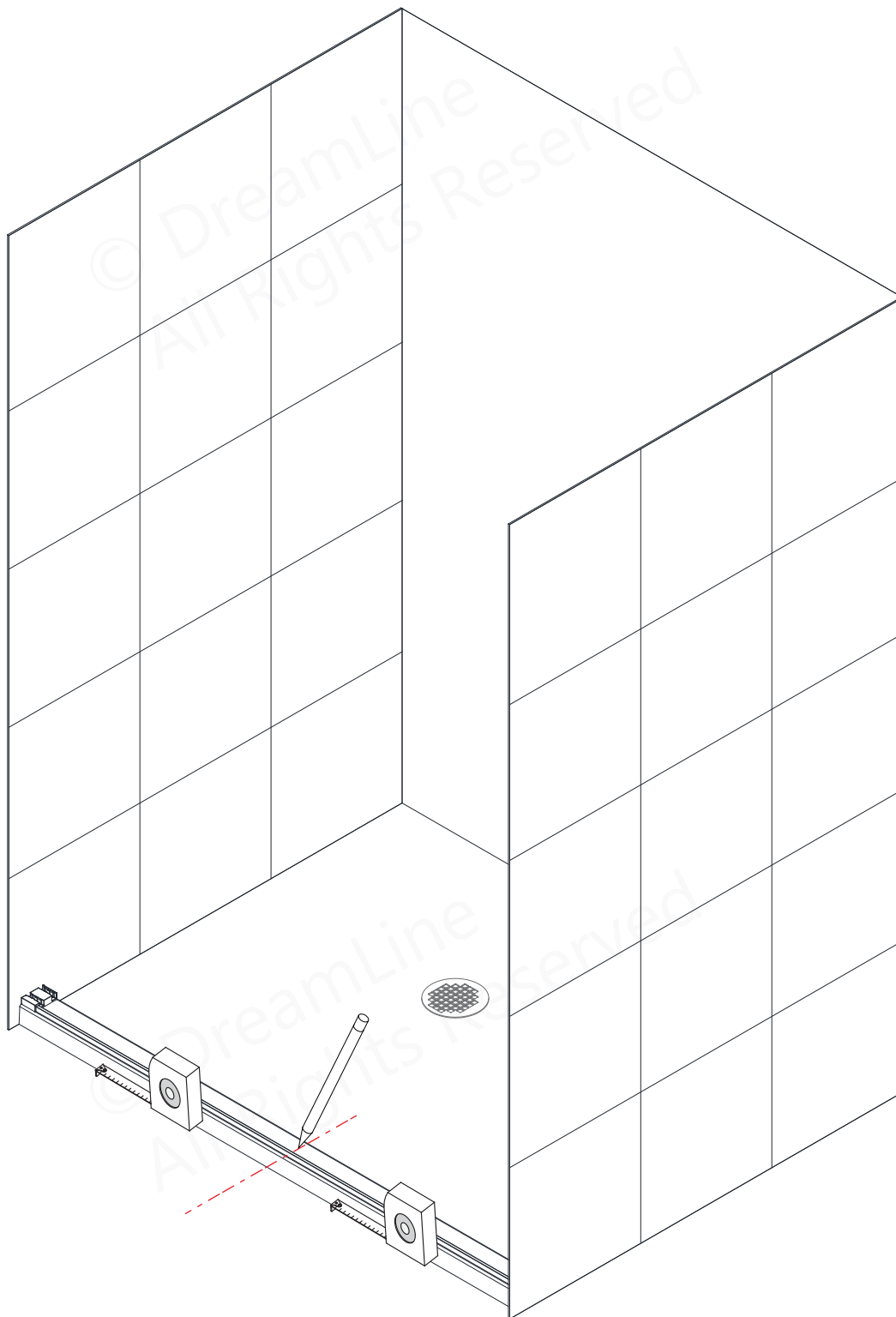


Fig 8

9. Place the remaining **Guide Block Bracket (#15)** onto the threshold:

1-1/16" (27mm) from the outside of the **Bottom Rail (#08)** and align the slot with the centerline measured in the previous step. Mark the hole for drilling. Use the Guide Block to check spacing.

- For installation into a tile threshold, drill a **Ø5/16" (8mm)** hole and insert the **Wall Anchor (#18)**
- For installation into an acrylic threshold, drill an **1/8" (3mm)** hole and do not use the anchor.

Apply silicone to the bottom of the **Guide Block Bracket (#15)** and attach to the threshold using an **ST4.2 x 40 Truss Head Screw (#17)**.

Apply silicone to the bottom of the **Guide Block (#09)** and install it over the **Guide Block Bracket (#15)** and the **Bottom Rail (#08)**. (**Fig 9a and Fig 9b**)

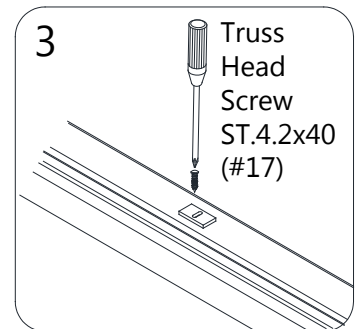
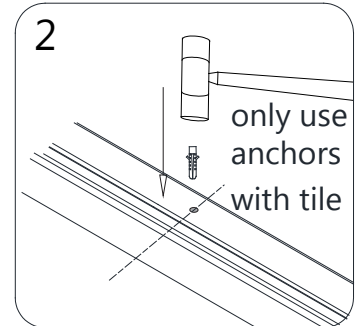
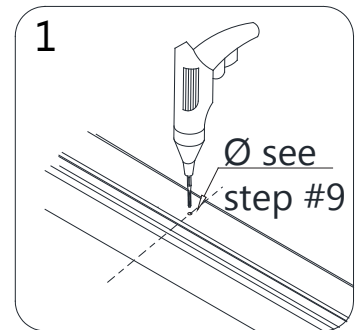
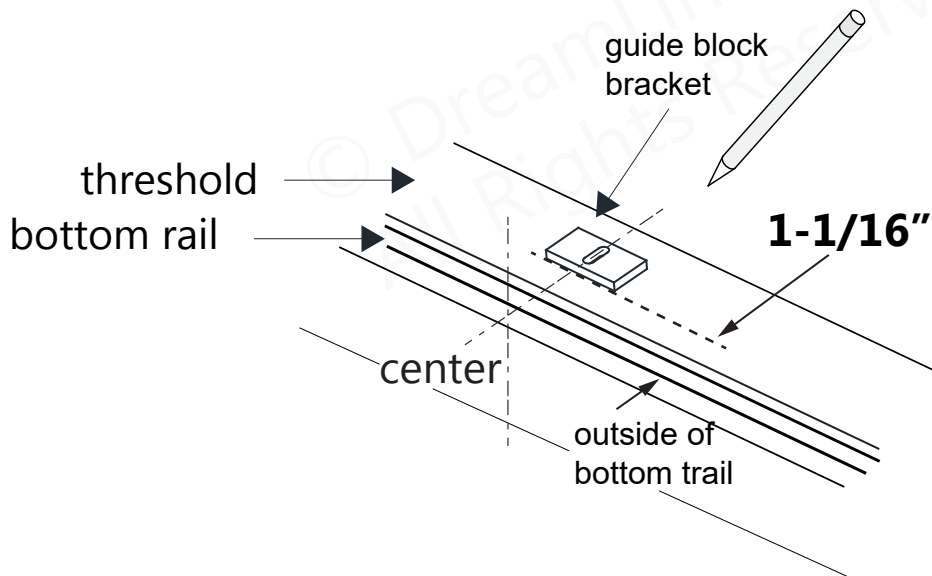
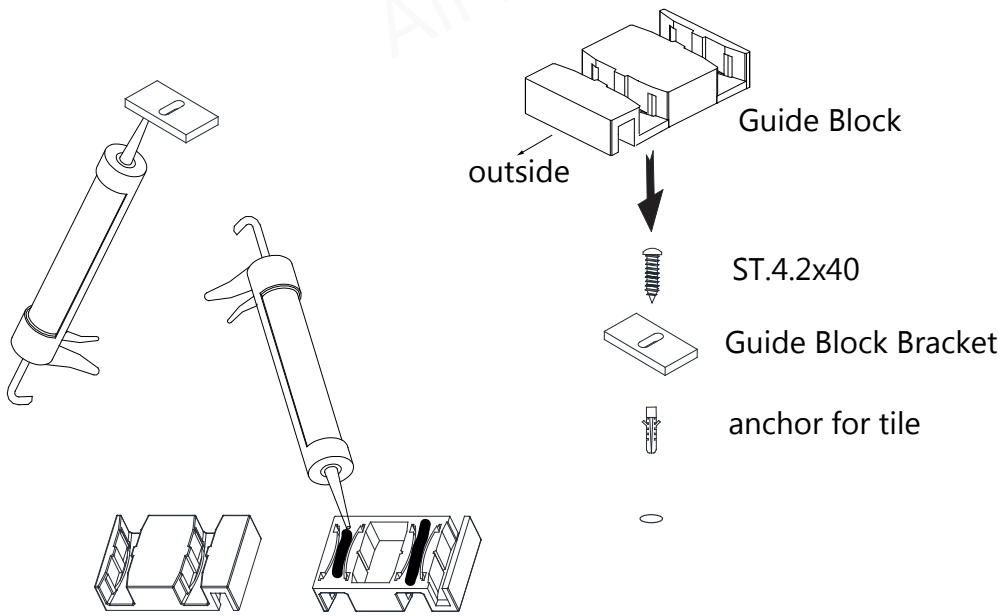


Fig 9a

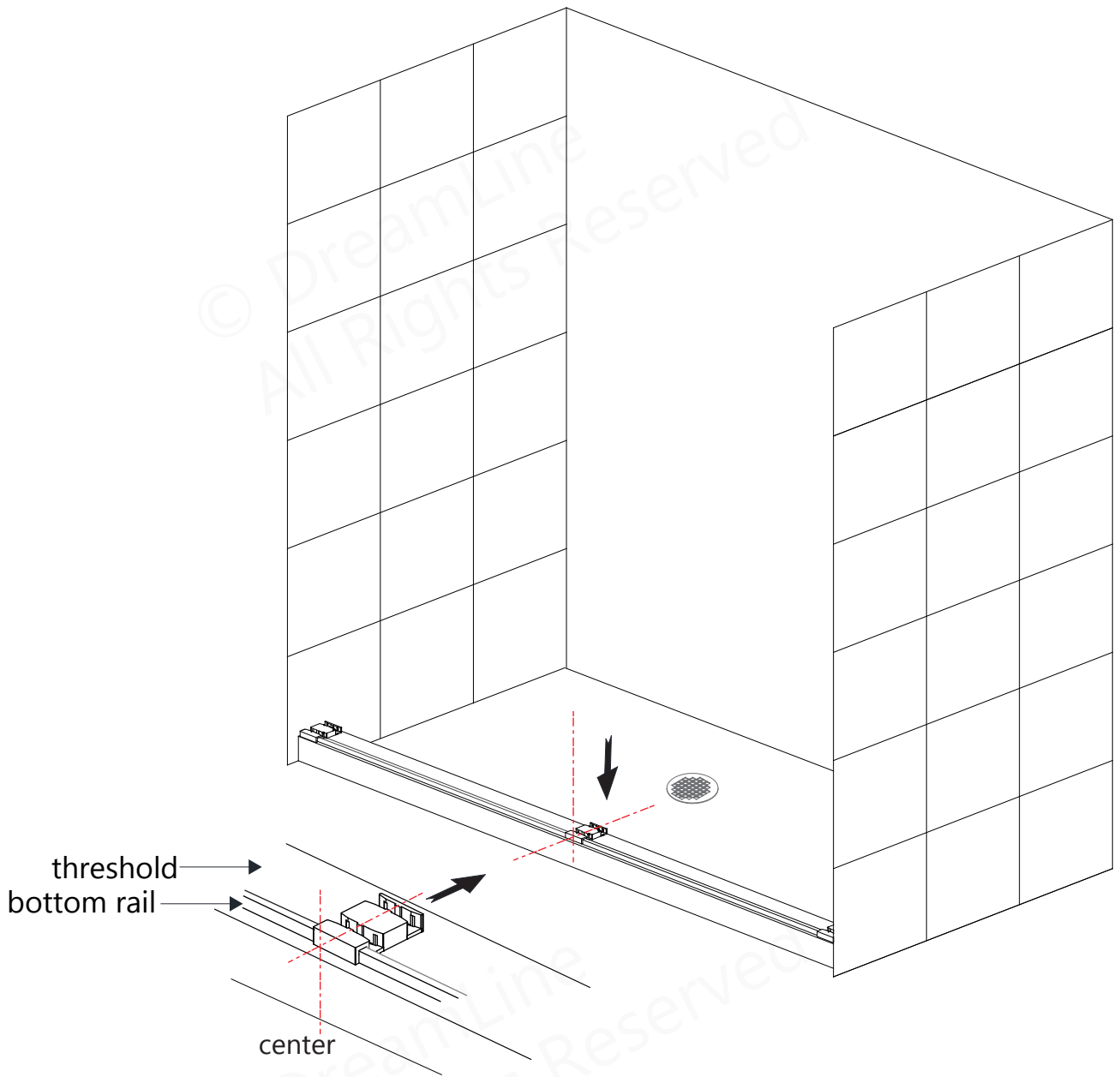


Fig 9b

10. Position the **Wall Profiles (#06)** on the wall, flush with the outside edge of the **Guide Blocks (#09)**. Check for plumb with a level and mark the position of the **Wall Profiles (#06)** on the walls. **(Fig 10)**

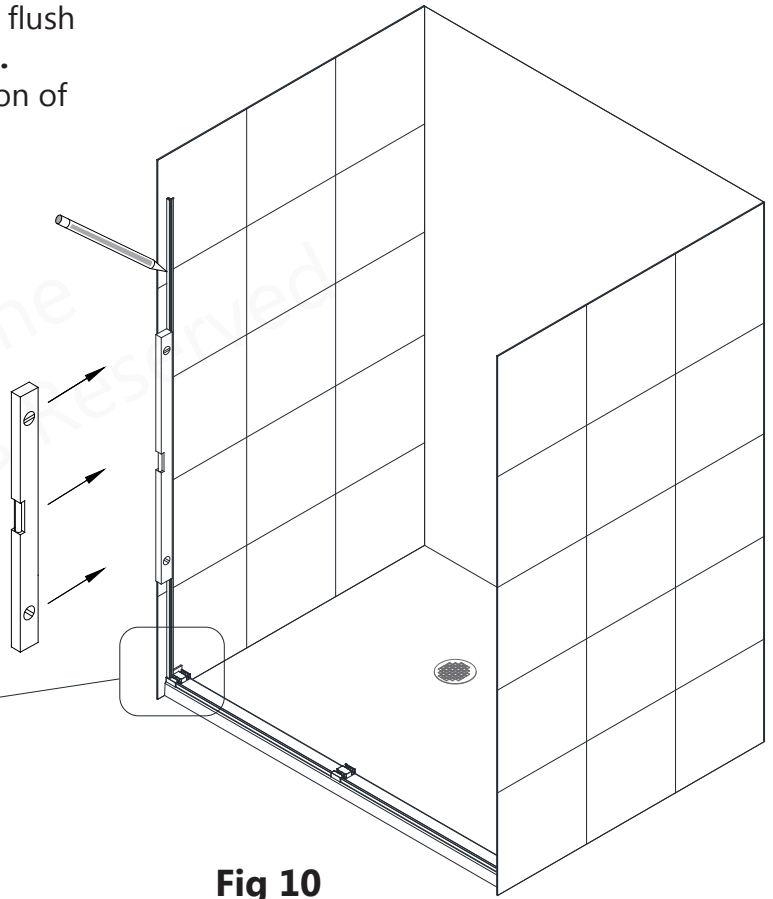
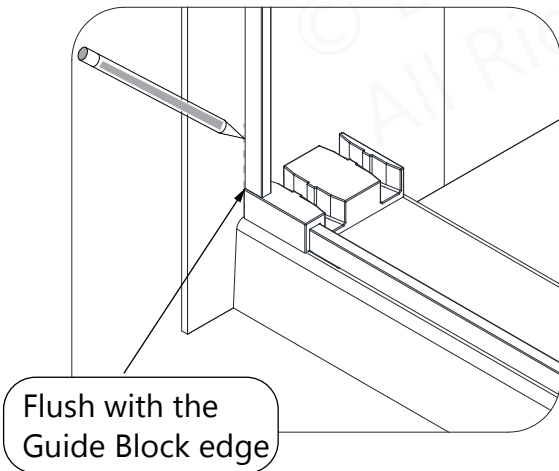


Fig 10

11. Remove the paper backing from the **Anti-Water Side Strips (#07)**. Attach the **Anti-Water Side Strips (#07)** to the **Wall Profiles (#06)** as shown in Fig 11.1. Apply silicone along the entire length of the **Wall Profiles (#06)**. (Fig 11.2)

Position the **Wall Profiles (#06)** on the wall, flush with the marks made in the previous step. Check again for plumb.

It is important that the wall profiles are plumb and in line with the bottom guide block (Fig 11.4). (Fig 11)

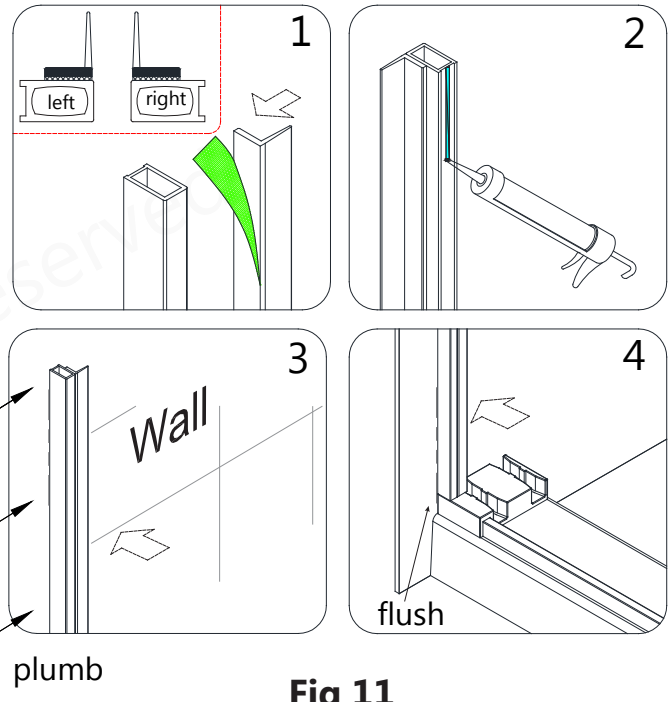


Fig 11



Use several strips of Painter's Tape to hold the Wall profiles in position while the silicone cures.

12. To position the Wall Bracket Assemblies (#02), see all information below and on the following page before measuring, marking or drilling. Precise and accurate measurements are critical for the correct installation and operation of this door. Measure up from the threshold (not from the Guide Block!) and mark a line on the wall for placement of the Wall Bracket Assembly (#02): 71-1/8" for shower height model or 55-3/16" for tub height model. (See Table 1).


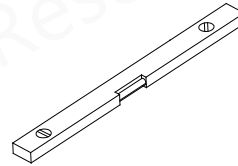
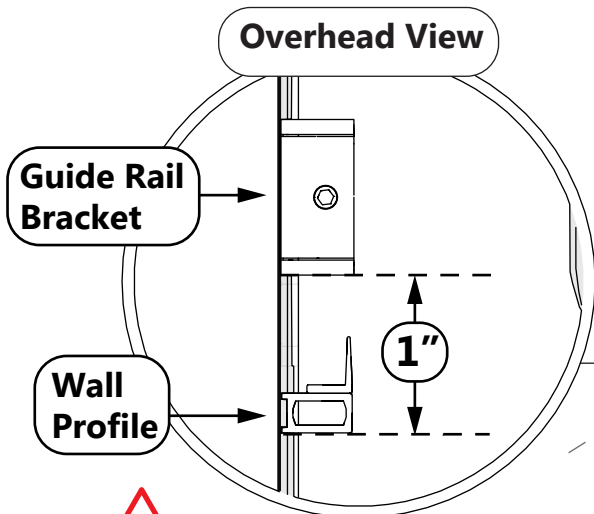
Measure in **1"** from the **outside** of the **Wall Profile (#06)** and draw a plumb line. The intersection of these two lines (look for this symbol  in Step 13) is the position of the bottom outside corner of the Guide Block **Fig 13**. See Step 14 to repeat this process on the opposite wall. Be as precise as possible. (Figs 12, 13 and 14)

Table 1

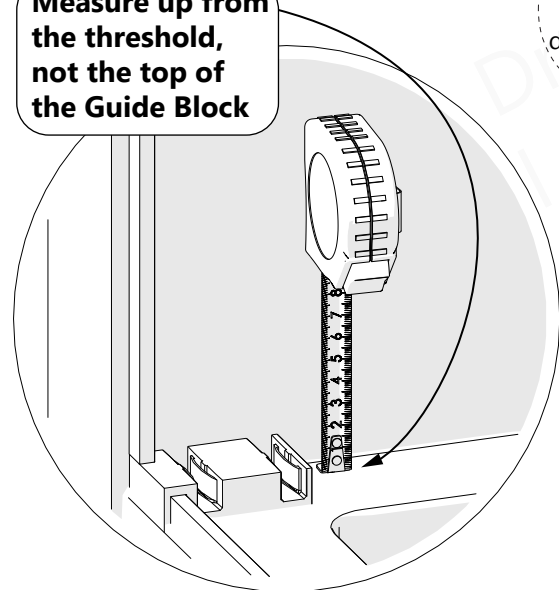
Model height	Wall Bracket height
76" (1930mm)	71-1/8" (1807mm)
60" (1524mm)	55-3/16" (1401mm)



Pay close attention to all measurements and make sure the Wall Profiles are plumb. Failure to correctly place the Wall Profiles and/or the Guide Rail Brackets will adversely affect the installation and performance of your shower door.



Measure up from the threshold, not the top of the Guide Block



see Table 1 for dimensions

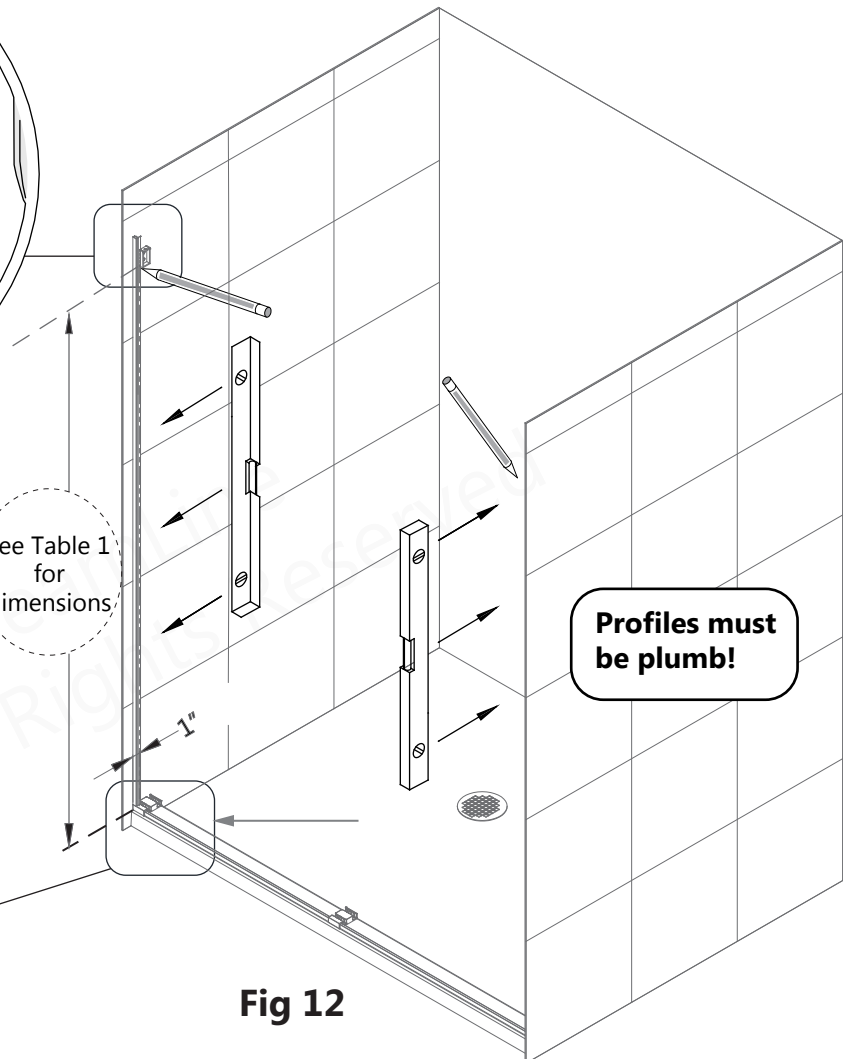


Fig 12

Reminder: The threshold must be level across the opening for correct installation of this shower door.

13. Hold the **Wall Bracket Assembly (#02)** in the designated position and mark the holes for drilling. Drill the holes using a **Ø5/16"** drill bit and insert the wall anchors. Attach the wall bracket assemblies using the **ST4.2 x 40 Countersunk Screws (#16)**. (**Fig 13**)**

** Drawings Not to Scale

** Anti-water strips removed from drawing for clarity

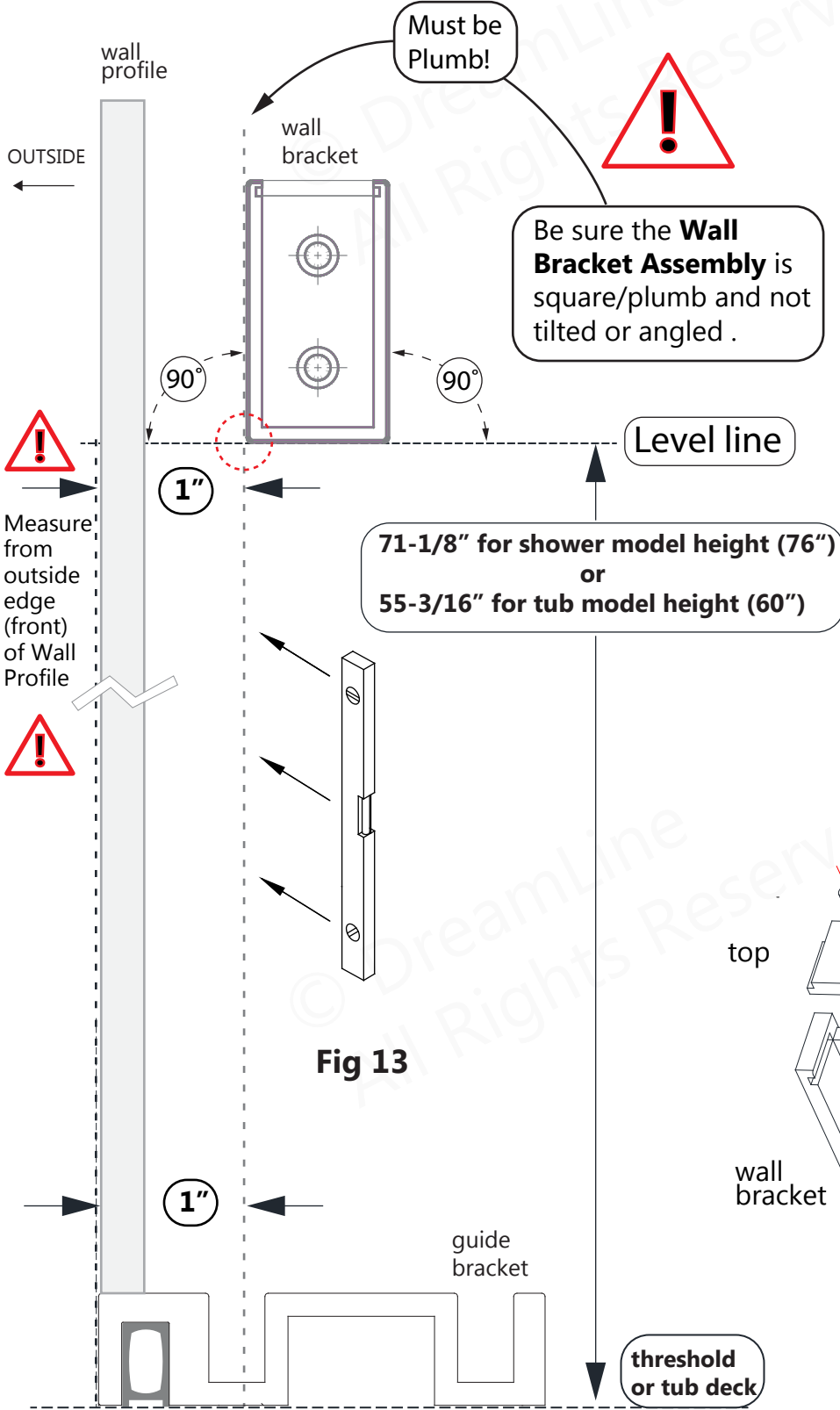
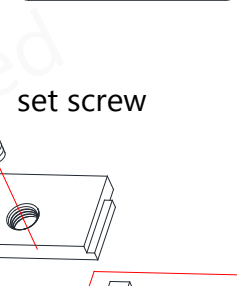
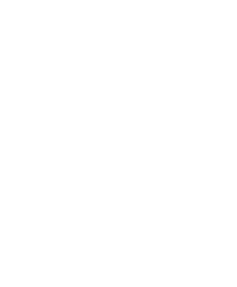
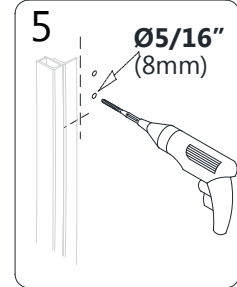
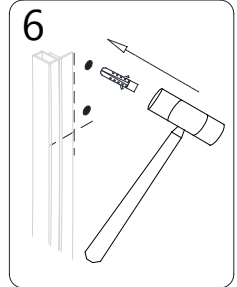
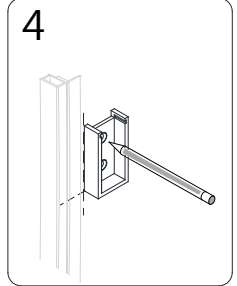
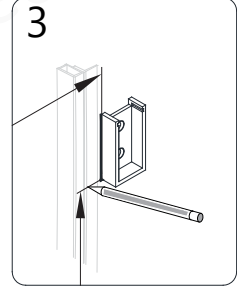
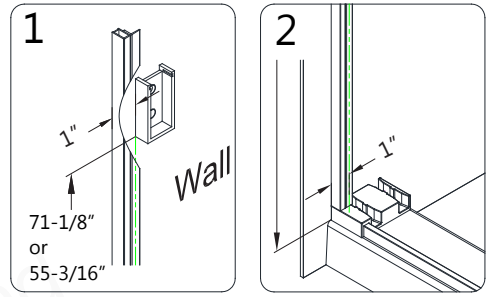
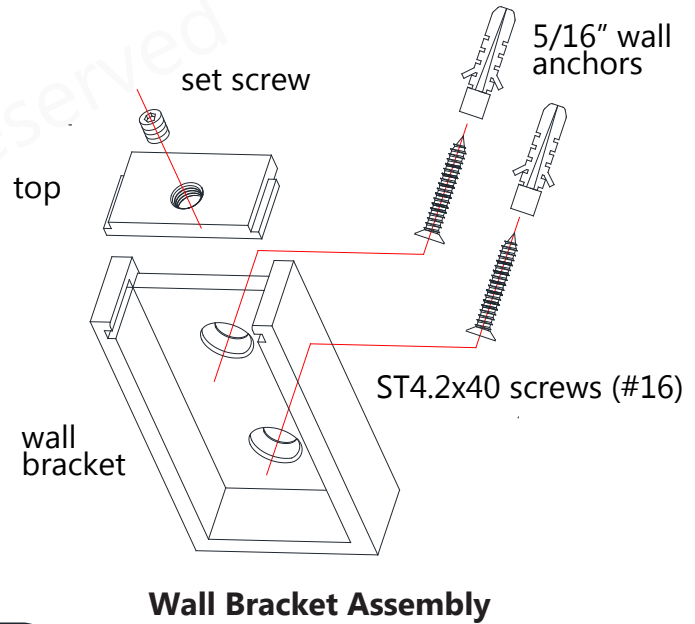


Fig 13



Wall Bracket Assembly

14. Insert the **Upper Guide Rail (#01)** into the installed **Wall Bracket Assembly (#02)**.

Temporarily attach the remaining **Wall Bracket Assembly (#02)** to the opposite end of the **Upper Guide Rail (#01)**. Place a level on top of the **Upper Guide Rail (#01)**. Align the **Wall Bracket Assembly (#02)** with the opposite plumb line from step#12 and mark the bracket's position on the wall.

Remove the **Upper Guide Rail (#01)** and position the wall bracket onto the wall and mark the holes for drilling. Drill the holes using a **Ø5/16"** drill bit and insert the **Wall Anchors (#18)**. Attach the **Wall Bracket** to the wall using the **ST4.2 x 40 Countersunk Screws**. Slide the **Upper Guide Rail (#01)** into both **Wall Brackets**, install both of the **Wall Bracket Assembly tops** and secure with the **set screws**. (**Fig 14**)

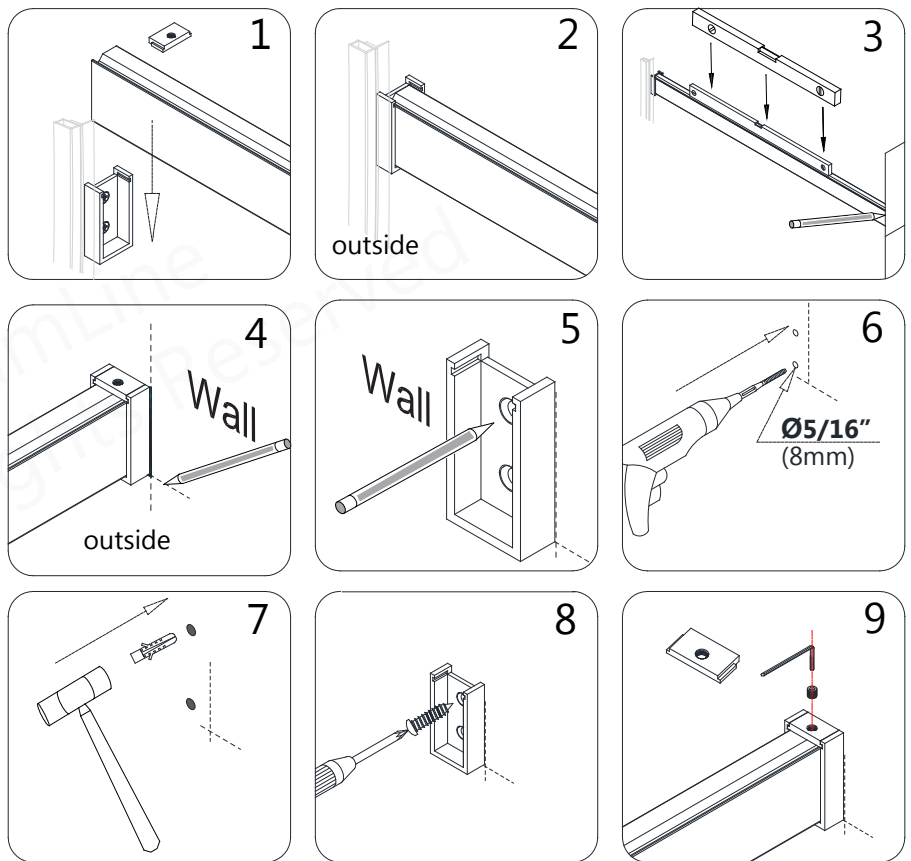
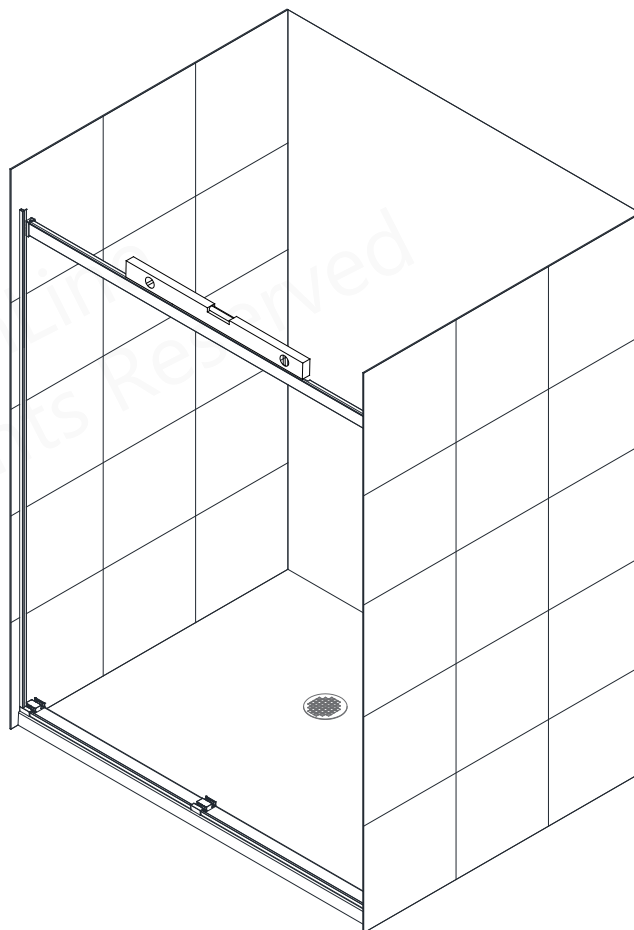


Fig 14



The Upper Guide Rail must be level at this point to proceed. If not, review previous steps and check all measurements as well as level (plumb) of wall profiles. Check that the threshold is level. Make any corrections necessary.



15. Remove the paper backing and attach the **Top Bumpers (#10)** to the wall on either side of both of the **Wall Bracket Assemblies (#02)**, flush with the top of the wall brackets (Fig 15.1). Remove the paper backing and attach the **Bottom Bumpers (#11)** into the **Guide blocks (#09)** and to the wall (Fig 15.2). **(Fig 15)**

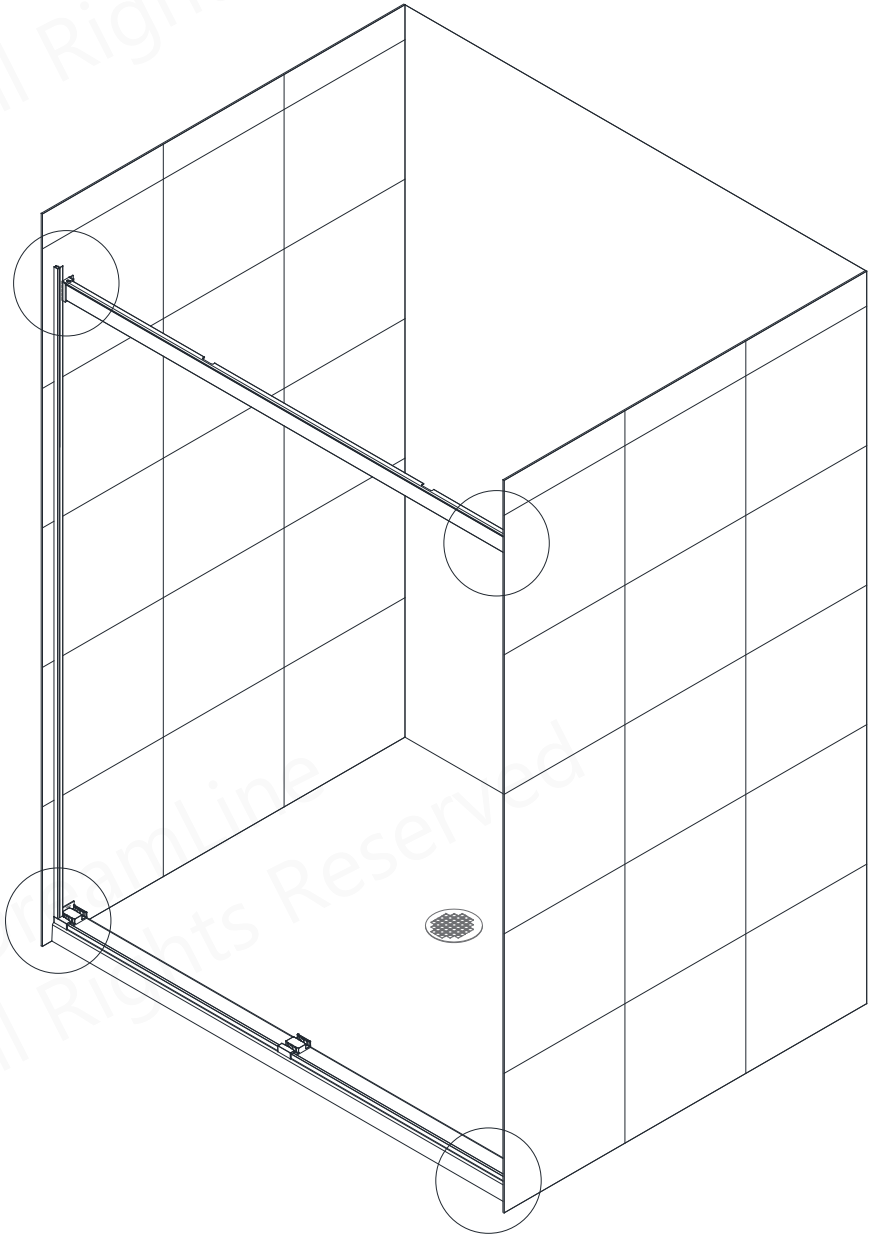
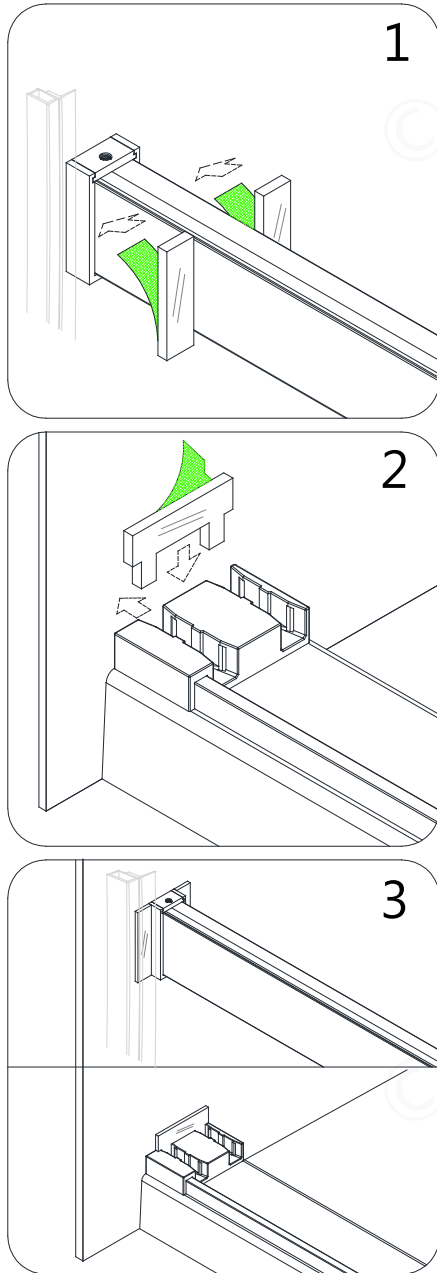


Fig 15

16. Remove the cap and screw from the **Rollers (#04)** and attach the **Rollers (#04)** to the **Inside Door Glass (#12)** and to the **Outside Door Glass (#13)**. (Fig 16 and Fig 17)



Please note the different direction of the Roller Wheels on the two doors.

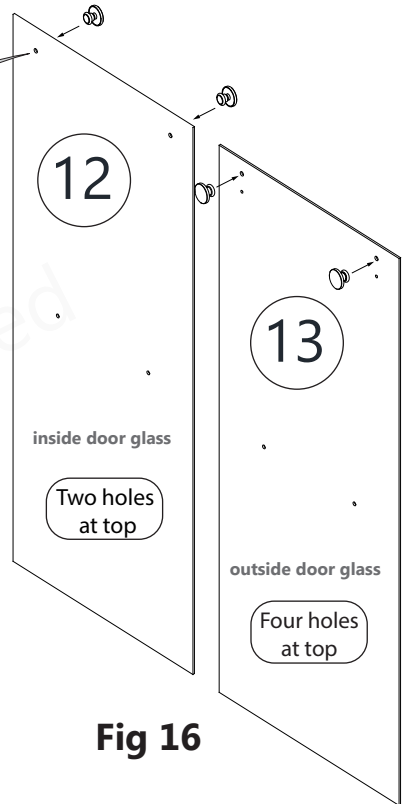
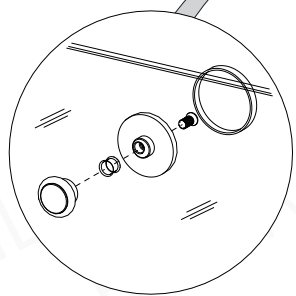


Fig 16



NOTE: DO NOT install the towel bars on the glass until instructed.
DO NOT lift the glass using the towel bars. This could result in damage to the glass and/or serious personal injury.
 Always use an assistant or a professional grade glass suction cup when handling heavy glass.

17. From inside the shower, hang the **Inside Door Glass (#12)** first. Insert one wheel into the notch in the top of the **Upper Guide Rail (#01)**. Slide the door over and insert the other roller wheel into the second notch (Fig 17a.2) while inserting the Glass into the **Guide Block (#09)**. (Fig 17a.3)
 Next, from outside the shower, install the **Outside Door Glass (#13)** into the track on top of the **Upper Guide Rail (#01)** and into the **Guide Block (#09)**.
 Attach the **Roller Guards (#03)** to the **Outside Door Glass (#13)** (Fig 17a.6) to prevent the door glass from being lifted off of the **Upper Guide Rail (#01)**. Adjust the **Roller Guards (#03)** to within 1/16" beneath the **Upper Guide Rail (#01)**. (Fig 17a and Fig 17b)

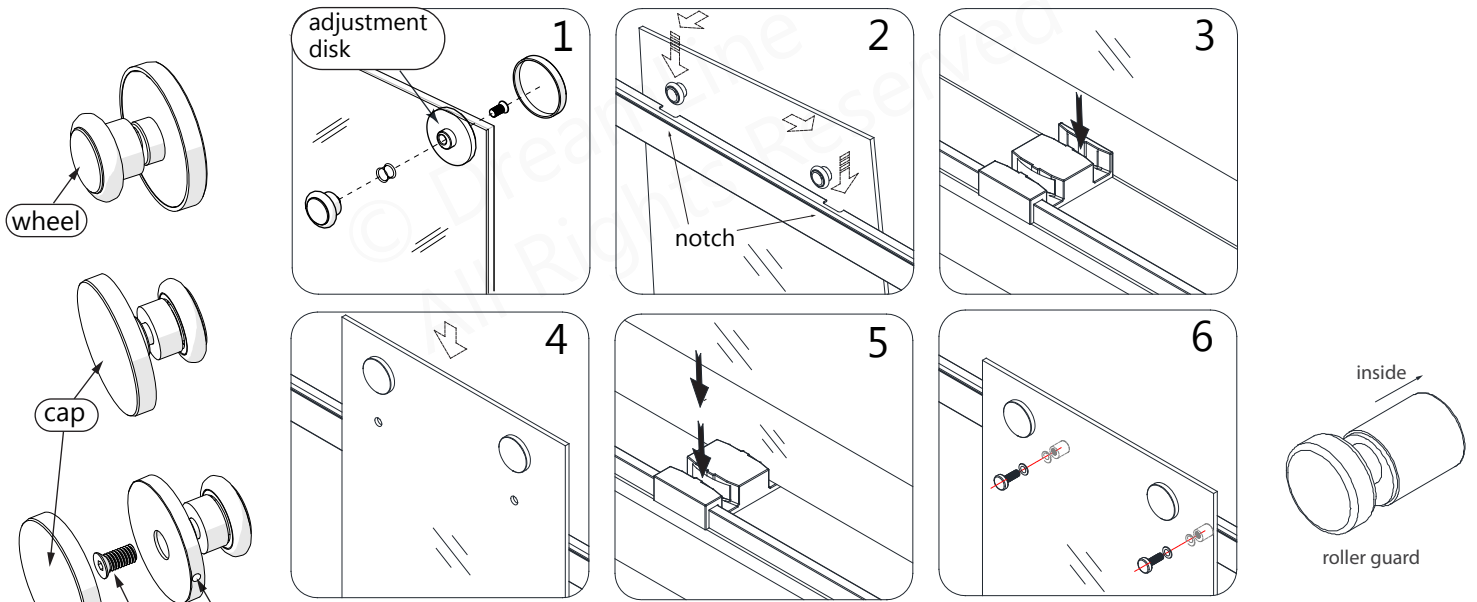
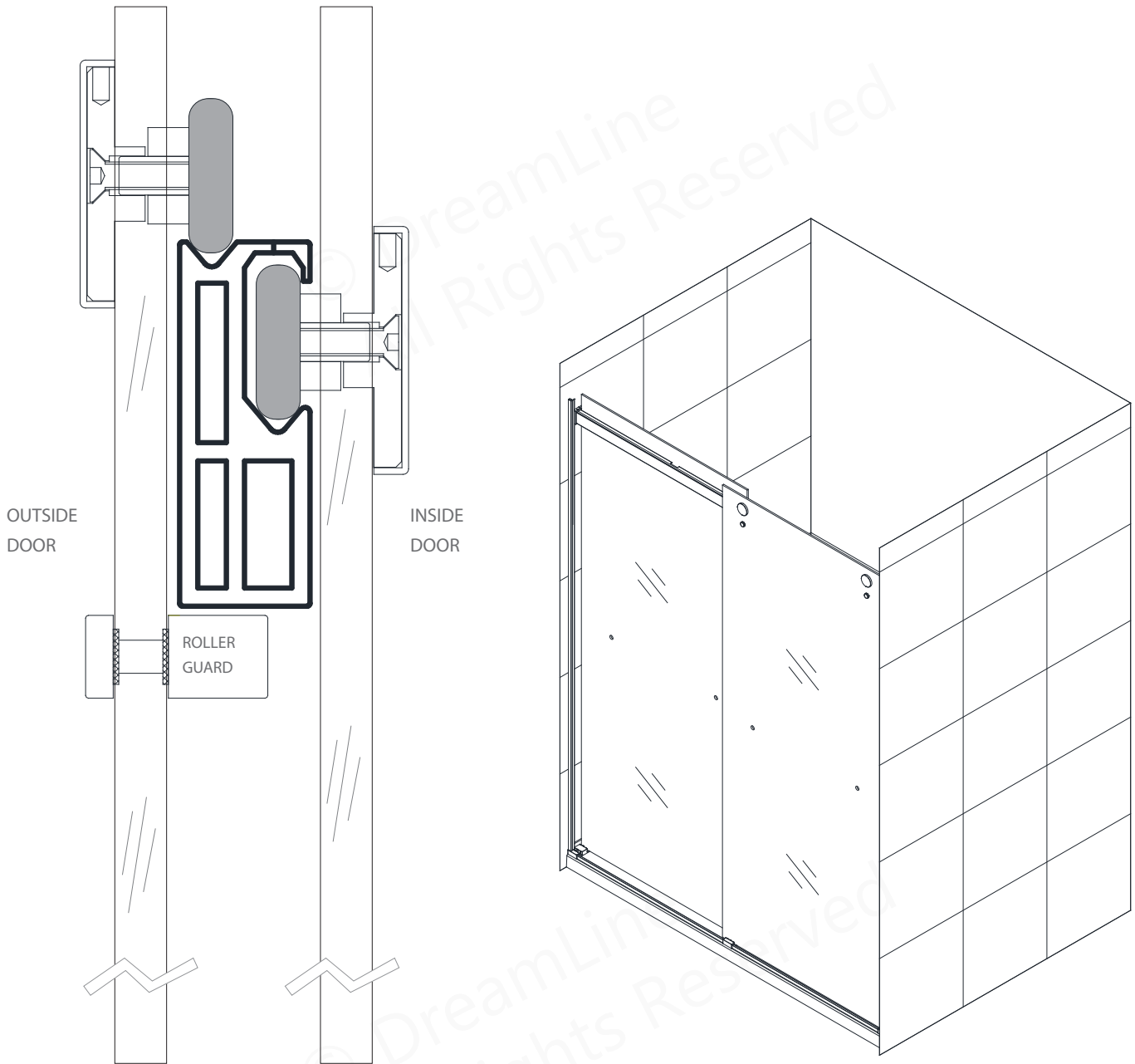


Fig 17a



Drawing Not to Scale

Fig 17b

Wheel Assembly Adjustment

TIP: The wheel assembly bushing that fits through the hole in the glass is elliptical. By rotating this disk, the door glass can be adjusted slightly in order to make even contact with both the top and bottom wall bumpers.

- Use a shim beneath the door glass so that it does not make contact with the threshold during adjustments
- Temporarily adjust the roller guards for clearance
- Remove the cap from the wheel assembly and loosen the bolt
- Insert the small 2.5mm allen wrench or similar into the small hole in the edge of the adjustment disk to help rotate the disk (see Figure 20.1) and tilt the door glass into the desired position
- Hold the glass in position and re-tighten the bolt
- Test the operation of the door. Repeat on the other wheels as necessary
- Replace the Wheel assembly cap and re-adjust the roller guards to within 1/16" beneath the upper guide rail.

(Fig 17a, Fig 17b and Fig 17c)

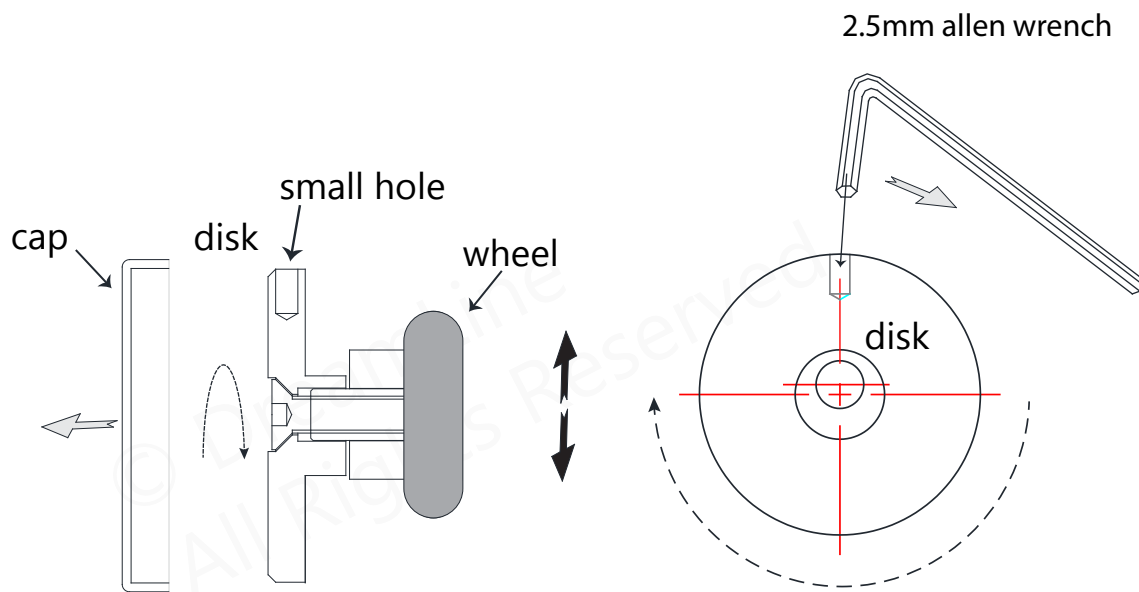


Fig 17c

18. Attach the **Towel Bars (#05)** to the **Inside Door Glass (#12)** and to the **Outside Door Glass (#13)**. Be sure to use all of the supplied rubber gaskets to protect the glass. **(Fig 18)**

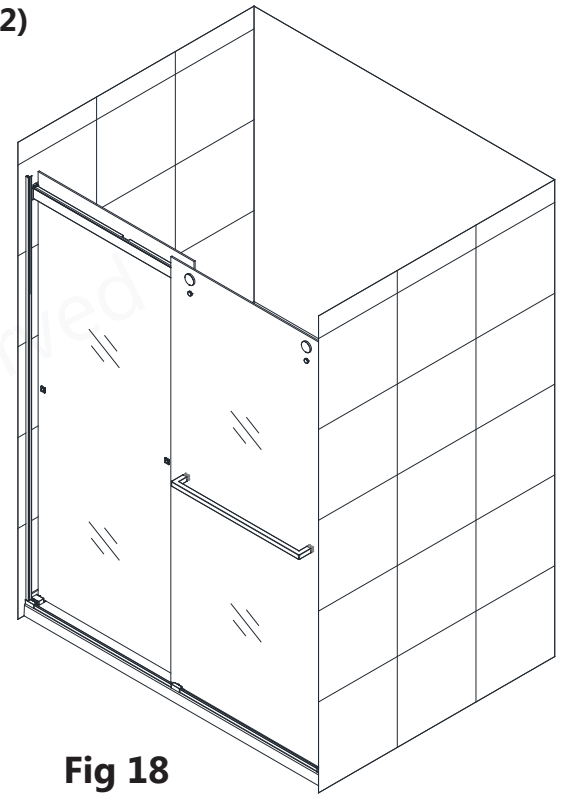
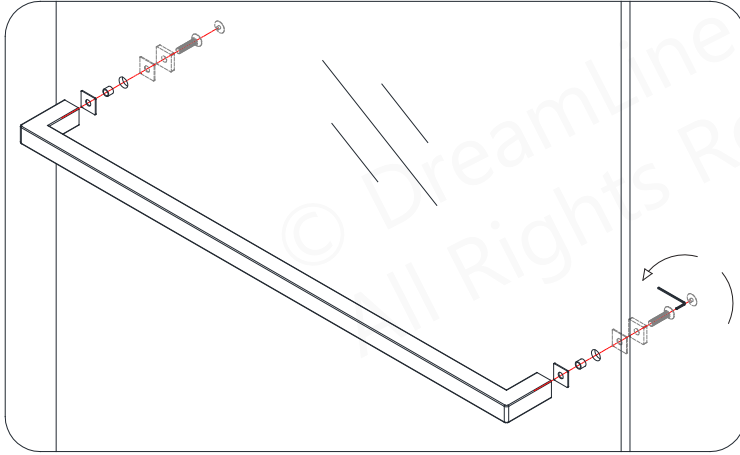
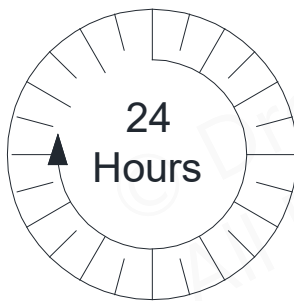


Fig 18

19. Apply a good quality mildew-resistant silicone on the walls and threshold along the bottom profile and wall profiles. **(Fig 19)**



Allow 24 hours for the silicone to fully cure before using the shower.



Use Painter's Tape to hold the Wall profiles and Bottom rail tight in position while the silicone cures.

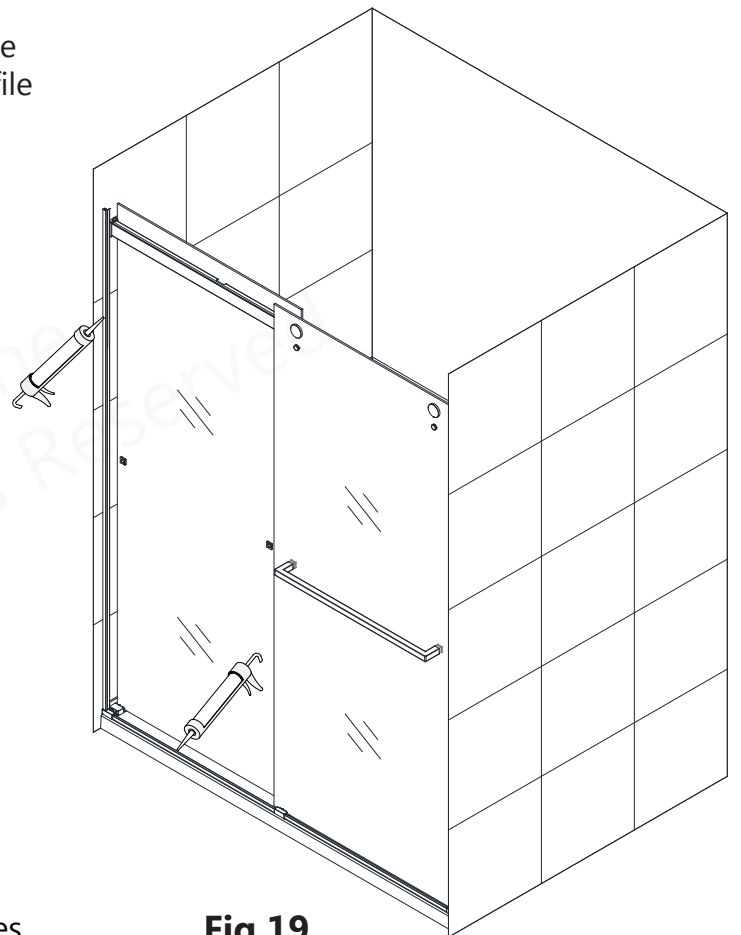


Fig 19

Product Maintenance

BASES and BACKWALLS: To ensure long lasting life for your acrylic back walls: wipe them off after each use with a soft cloth. To clean the acrylic back walls use non-abrasive sprays or cream based cleaners. Avoid the use of aerosol spray cleaners. Never use abrasive cleansers, metal brushes or scrapers that could scratch or dull the surface.

GLASS: To ensure long lasting life for your glass shower products: wipe them off after each use with a soft cloth. Rinse and wipe off the glass using either a soft cloth or a squeegee to prevent soap buildup and water spots (Hard water can etch the surface of the glass over time if left to dry). To prevent scratching the surface: never use abrasive cleaners or cleaning products that contain scouring agents. Never use bristle brushes or abrasive sponges that may scratch the surface.

HARDWARE: To ensure a long lasting finish: wipe off the metal parts after each use with a soft cloth. Do not use abrasive cleaners or cleaning products containing ammonia, bleach or acid. If accidentally used, rinse the surface as soon as possible to prevent damage to the finish (peeling or corrosion). After cleaning the polished finishes, rinse thoroughly and wipe dry with soft cloth. Clean stainless steel surfaces at least once a week. When applying stainless steel cleaner or polish to stainless steel hardware, work with (not across) the grain. Never use an abrasive sponge or cloth, steel wool or wired brush as these may permanently scratch the surfaces.

NOTE: To maximize the life of your door, it is important to regularly inspect the glass and all hardware for misalignment, proper attachment, and/or damage. Contact DreamLine with any questions or concerns.

ESSENCE Maintenance checklist

- Inspect the **Guide rail**
- Inspect the **Guide rail brackets**
- Inspect the **Guide blocks** -square to the threshold and glass
- Proper clearance** beneath the door glass between the threshold and within the guide block
- Door Glass** adjusted so that the glass makes even contact into the **Vinyl Bumpers**
- Inspect the **Wheel assemblies**
- Inspect the **Roller guards** - positioned within 1/16" beneath the guide rail and tight
- Inspect the **Towel Bars** -tighten if loose
- Inspect the **edges of the door glass** for concealed damage
 - o **Damaged glass must be replaced!**
- Inspect **vinyl seals**- replace if damaged or missing

Troubleshooting

Problem/Symptom	Suggested Solution	Pages
Missing Parts	<ul style="list-style-type: none"> •Check all shipping/packaging material for missing parts/components. •If not found, contact DreamLine Customer Support [1-866-731-2244] to order factory part replacement. 	6-7
Top Guide Rail (#01) and/or the Bottom Rail (#08) cut too short	<ul style="list-style-type: none"> •Contact DreamLine Customer Support (1-866-731-2244) to order factory part replacement. 	7-8
Leaking around doors	<ul style="list-style-type: none"> •Be sure the Wall Profiles (#06) are plumb and installed correctly on top of the Guide Blocks (#09). •Be sure the Anti-Water Side Strips (#07) are installed correctly and are meeting the door glass when closed. 	15
Leaking at bottom of shower	<ul style="list-style-type: none"> •Be sure the Bottom Rail (#08) is completely adhered to the threshold with silicone and was cut to the correct length. 	8-10
Door Glass (#12/13) not lining up with Guide Blocks (#09)	<ul style="list-style-type: none"> •Check the position of the Wall Bracket Assemblies (#02) relative to the Wall Profiles (#06). Make sure the brackets are square to the unit (plumb) and not angled. •Check that the Wall Profiles are plumb and correctly positioned on the Guide Blocks (#09). •Check that the Bottom Guide Rail is even with the outside edge of the threshold across the opening. 	9, 10, 15-17
Gaps between Door Glass (#12/13) and the wall.	<ul style="list-style-type: none"> •Check walls for plumb. •See the Roller Wheel adjustment procedure on Page 22 to help align the Door Glass with the walls. •Check Guide Rail for level. 	22
Top Guide Rail (#01) too low for Door Glass (#12/13)	<ul style="list-style-type: none"> •Check that measurement for Wall Bracket Assemblies (#02) was taken from the threshold, not the top of a Guide Block (#09). 	16-17
Doors rubbing on threshold	<ul style="list-style-type: none"> •Check that the threshold is level. •Check that the Top Guide Rail and the Wall Bracket Assemblies are secure. •Check that the Roller Wheels are tight and secure. •Carefully remove the Door Glass and adjust the Roller Wheels (Page 22). 	17-18, 20-22



Prior to contacting DreamLine® Customer Service, please have the following information readily available:

- Purchase Order Information
 - Name, PO Number, Dealer/Vendor Name, etc.
- SKU/Model Number

Factory Parts Information

ESSENCE {SHDR-AC6301-4876-##}		FACTORY PARTS INFORMATION	
ITEM #	FACTORY PART NUMBER	ITEM DESCRIPTION	QTY
01	042830 11 -1213	Upper Guide Rail (48")	1 pc
02	0702 11 06	Wall Bracket Assembly	2 pcs
03	0702 11 07	Roller Guard	2 pcs
04	0735 10 22	Roller	4 pcs
05	0722 10 36	Towel Bar (48")	2 pcs
06	041690 11 -1913	Wall Profile (76")	2 pcs
07	063024000-1913	Anti-Water Side Strip (76")	2 pcs
08	041690 11 -1219	Bottom Rail (48")	1 pc
09	0755 10 66	Guide Block	3 pcs
10	07550071	Upper Bumper	4 pcs
11	07550072	Bottom Bumper	2 pcs
14	098002 / 098003 / 098004	Allen Wrench: 2.5mm / 3mm / 4mm	1 set
15	07021108	Guide Block Bracket	3 pcs
16	092108	Countersunk Screw ST4.2 x 40	4 pcs
17	090108	Truss Head Screw ST4.2 x 40	3 pcs
18	07552148	Ø5/16" (8mm) Wall Anchors	7 pcs

BOLD digit indicates finish color:

1 or 8 = Polished SS

4 or 5 or 7 = Brushed SS

6 = Oil Rubbed Bronze

9 = Satin Black

Factory Parts Information

ESSENCE {SHDR-AC6301-6060-##}		FACTORY PARTS INFORMATION	
ITEM #	FACTORY PART NUMBER	ITEM DESCRIPTION	QTY
01	042830 1 1-1518	Upper Guide Rail (60")	1 pc
02	0702 1 106	Wall Bracket Assembly	2 pcs
03	0702 1 107	Roller Guard	2 pcs
04	0735 1 022	Roller	4 pcs
05	0722 1 035	Towel Bar (60")	2 pcs
06	041690 1 1-1507	Wall Profile (60")	2 pcs
07	063024000-1507	Anti-Water Side Strip (60")	2 pcs
08	041690 1 1-1524	Bottom Rail (60")	1 pc
09	0755 1 066	Guide Block	3 pcs
10	07550071	Upper Bumper	4 pcs
11	07550072	Bottom Bumper	2 pcs
14	098002 / 098003 / 098004	Allen Wrench: 2.5mm / 3mm / 4mm	1 set
15	07021108	Guide Block Bracket	3 pcs
16	092108	Countersunk Screw ST4.2 x 40	4 pcs
17	090108	Truss Head Screw ST4.2 x 40	3 pcs
18	07552148	Ø5/16" (8mm) Wall Anchors	7 pcs

BOLD digit indicates finish color:

1 or 8 = Polished SS

4 or 5 or 7 = Brushed SS

6 = Oil Rubbed Bronze

9 = Satin Black

Factory Parts Information

ESSENCE {SHDR-AC6301-6076-##}		FACTORY PARTS INFORMATION	
ITEM #	FACTORY PART NUMBER	ITEM DESCRIPTION	QTY
01	042830 11 -1518	Upper Guide Rail (60")	1 pc
02	0702 11 06	Wall Bracket Assembly	2 pcs
03	0702 11 07	Roller Guard	2 pcs
04	0735 10 22	Roller	4 pcs
05	0722 10 35	Towel Bar (60")	2 pcs
06	041690 11 -1913	Wall Profile (76")	2 pcs
07	063024000-1913	Anti-Water Side Strip (76")	2 pcs
08	041690 11 -1524	Bottom Rail (60")	1 pc
09	0755 10 66	Guide Block	3 pcs
10	07550071	Upper Bumper	4 pcs
11	07550072	Bottom Bumper	2 pcs
14	098002 / 098003 / 098004	Allen Wrench: 2.5mm / 3mm / 4mm	1 set
15	07021108	Guide Block Bracket	3 pcs
16	092108	Countersunk Screw ST4.2 x 40	4 pcs
17	090108	Truss Head Screw ST4.2 x 40	3 pcs
18	07552148	Ø5/16" (8mm) Wall Anchors	7 pcs

BOLD digit indicates finish:

01 = Chrome

04 = Brushed Nickel

09 = Satin Black

Factory Parts Information

GLASS					FACTORY PARTS INFORMATION	
ITEM #	FACTORY PART NUMBER				ITEM DESCRIPTION	QTY
GLASS	Clear	European Gray	Frosted	Toulon Pattern		
Door Size 48x76						
12	010300002	010300020	010300051	010300059	Inside Door Glass	1 pc
13	010300001	010300019	010300050	010300057	Outside Door Glass	1 pc
Door Size 60x76						
12	010300004	010300022	010300049	010300060	Inside Door Glass	1 pc
13	010300003	010300021	010300048	0100058	Outside Door Glass	1 pc
Door Size 60x60						
12	010300006				Inside Door Glass	1 pc
13	010300005				Outside Door Glass	1 pc

© DreamLine
All Rights Reserved



TEL: 866-731-2244
FAX: 866-857-3638
DREAMLINE.COM

For more information on DreamLine® Shower Doors and Enclosures please visit DreamLine.com