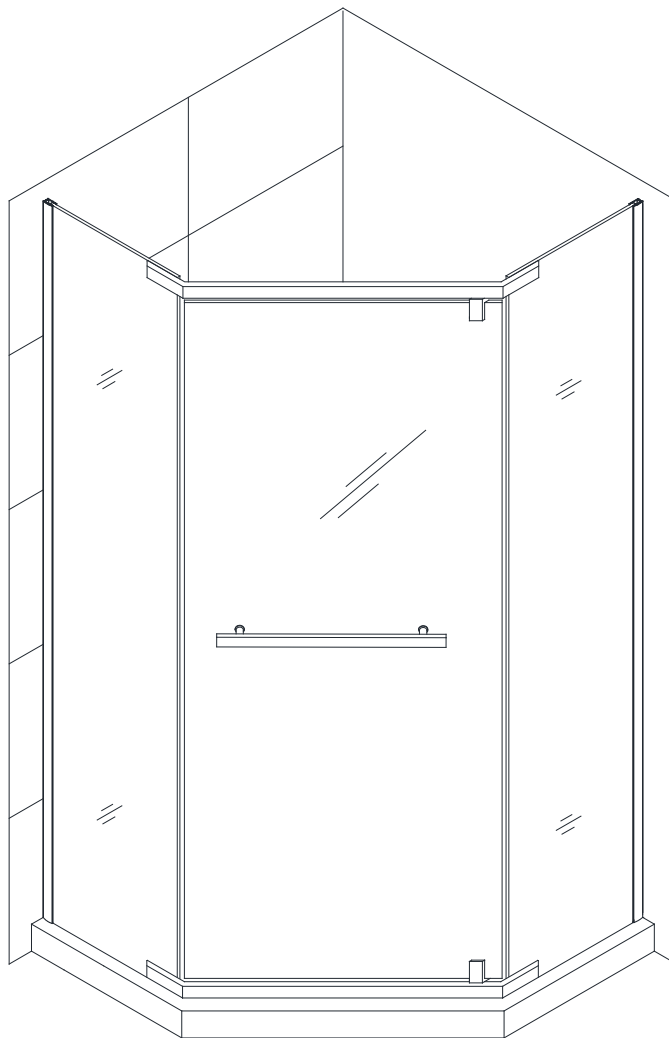


PRISM

SHOWER ENCLOSURE INSTALLATION INSTRUCTIONS

IMPORTANT!

DreamLine[®] reserves the right to alter, modify or redesign products at any time without prior notice for the purpose of product improvement and customer experience. Please refer to the model's web page on **DreamLine.com** for the latest technical drawings, installation manuals, warranty information or additional product details.



Model #s

SHEN-2134340-##
SHEN-2136360-##
SHEN-2138380-##
SHEN-2140400-##

= Finish

01= Chrome
04= Brushed Nickel
06=Oil Rubbed Bronze
09=Satin Black

Left-hand door installation shown

Please review this entire manual prior to installation



Questions?

Please Call **DreamLine** Customer Support: **1-866-731-2244**
Hours of Operation M-F 8AM - 6PM EST

Support@DreamLine.com



For more information about DreamLine[®] Shower Doors, Tub Doors & Enclosures, please visit **DreamLine.com**



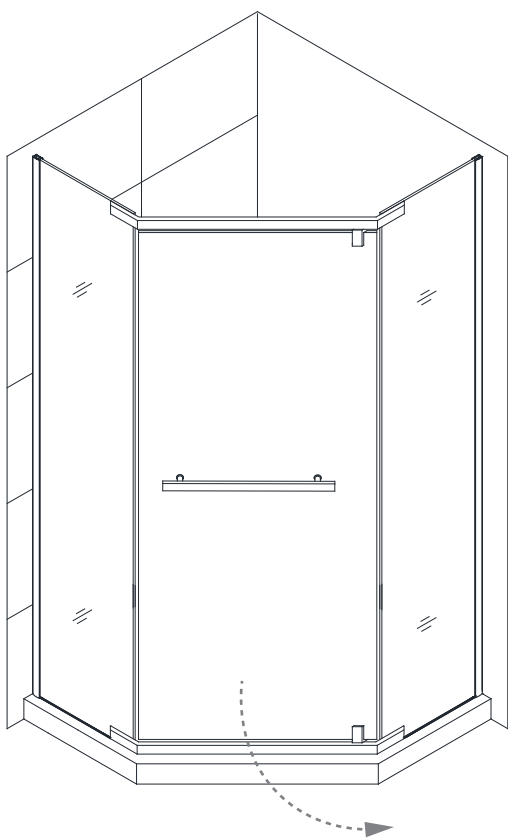
This model is treated with DreamLine's exclusive ClearMax™ Glass technology. This is a specially formulated coating that prevents the build up of soap and water spots.

Install the surface with the ClearMax™ label towards the inside of the shower. Please note that depending on the model, the glass may be coated on either one or both surfaces.

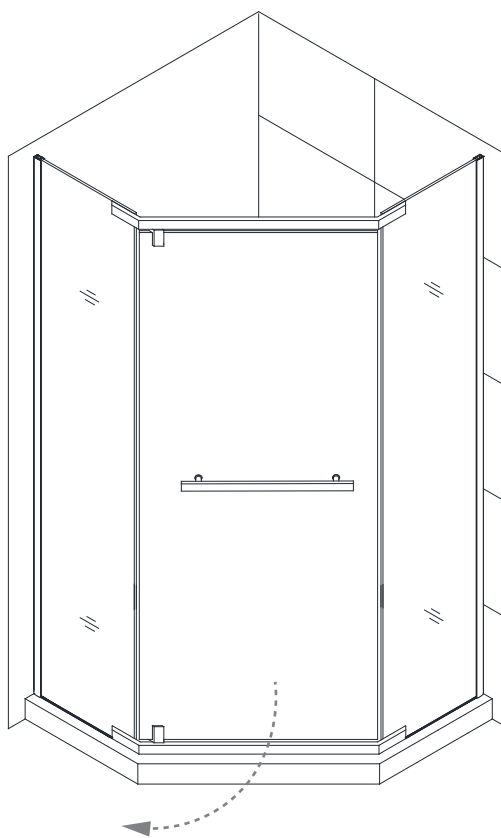
For best results, squeegee the glass after each use and dry with a soft cloth.

Table of Contents

Section title	Page #
Preparation	2
Tools	3
Detailed Diagram of Shower Door Components	4
Parts List	5
Adjustable Wall Profile System	6
Installation Steps	8-13
Vinyl Seals	12
Handle	13
Product Maintenance	14



Left-hand door installation shown



Right-hand door installation shown



NOTE: This model is reversible for Left or Right-hand door installation. This manual will show the Left-hand door installation as an example throughout. For a Right-hand door installation, install both pivot bars with the holes on the correct side. See step #5 for details.

Preparation

1. Prior to installation, examine all boxes and packages for shipping damage and compare the piece count with the packing slip. After opening all boxes and packages read this introduction carefully. Check that all of the necessary parts are included in the package by checking off the components on the "Detailed Diagram of Shower Door Components". If the unit has been damaged, has a finishing defect, or has missing parts, please contact our customer support department within **3 business days** of the delivery date. **Please note that DreamLine® will not replace any damaged products or missing parts free of charge after 3 business days or if the product has been installed.** Contact DreamLine® if you have any questions, and please provide an order number, job name or other proof of purchase to help identify the original order.
2. **Please note that you should consult your local building codes with questions on installation compliance standards. Building and plumbing codes may vary by location, and DreamLine® is not responsible for code compliance standards for your project and will not accept any returns.**
3. If this unit is going to be installed in a new construction, please install all of the required plumbing and drainage before installing the shower. Use a competent and licensed (if required by local code) plumber for all plumbing installation
4. Make sure that prior to beginning the installation, the surfaces are leveled and solid and will be able to support the total weight of the unit. Also make sure the walls are at right angles. Irregular installation surface level, radius corners or improper angle of side walls will result in serious problems for your installation. Note that some adjustments and drilling will be necessary during the installation process.
5. Protect all primary surfaces of the product during installation. Never set the glass down directly onto a tile floor. Leave corner protectors in place until necessary to remove them. Always use a piece of wood or cardboard to protect the bottom edge and corners of the glass prior to and during installation.
6. **This unit must be installed upon a level finished threshold and against finished walls.**
7. **This model has 3/8" of adjustment for out-of-plumb wall conditions using the adjustable wall profiles** Make sure that the walls are within this range before proceeding with the installation.
8. **Professional installation recommended.**



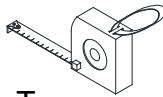
NOTE: DO NOT attach the handle to the door glass or the towel bar to the panel glass until instructed.

DO NOT use the handle or towel bar to lift the glass during installation. This may result in damage to the glass and/or serious injury. Always use an assistant or a professional grade glass suction cup when handling heavy glass.

Tools



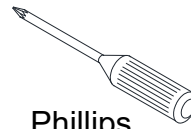
Level



Tape Measure



Pencil



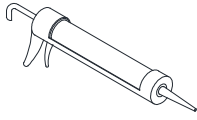
Phillips Screwdriver



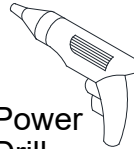
Drill bit (Ø5/16")



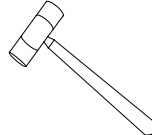
Drill bit (Ø1/8")



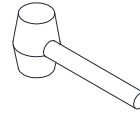
100% Silicone



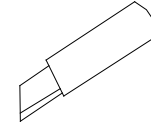
Power Drill



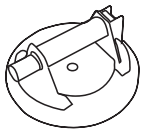
Hammer



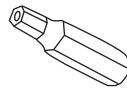
Mallet



Razor Knife



Professional Grade Glass Suction Cup



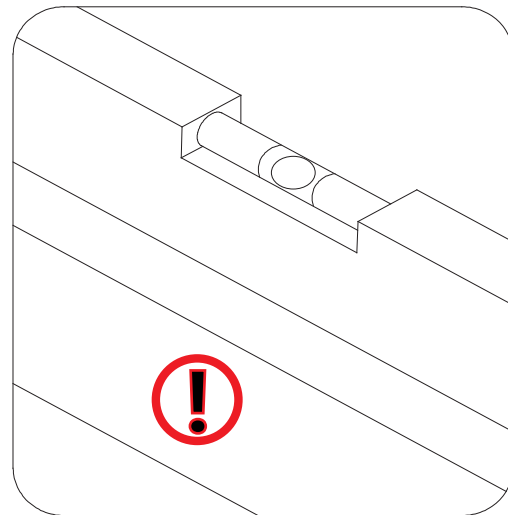
Hex Head driver bit 4mm

Tip: Measure the finished opening before proceeding with the installation to be sure that the correct model size has been ordered.

Tip: Prior to installation, cover the shower/tub drain with tape to prevent losing screws or small parts.

Tip: Set screw gun clutch to low setting when installing screws and bolts to prevent stripping the heads.

Threshold must be level.

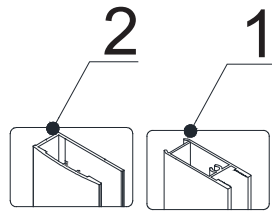


NOTE: Unpack your unit carefully and inspect it. Lay it out and identify all parts using the detailed diagram and packing list in this manual as a reference. Before discarding the carton, check for small hardware bags that may have fallen to the bottom of the box. If any parts are damaged or missing, please contact DreamLine® for replacement. The shipping boxes may contain extra parts not used in your model configuration.

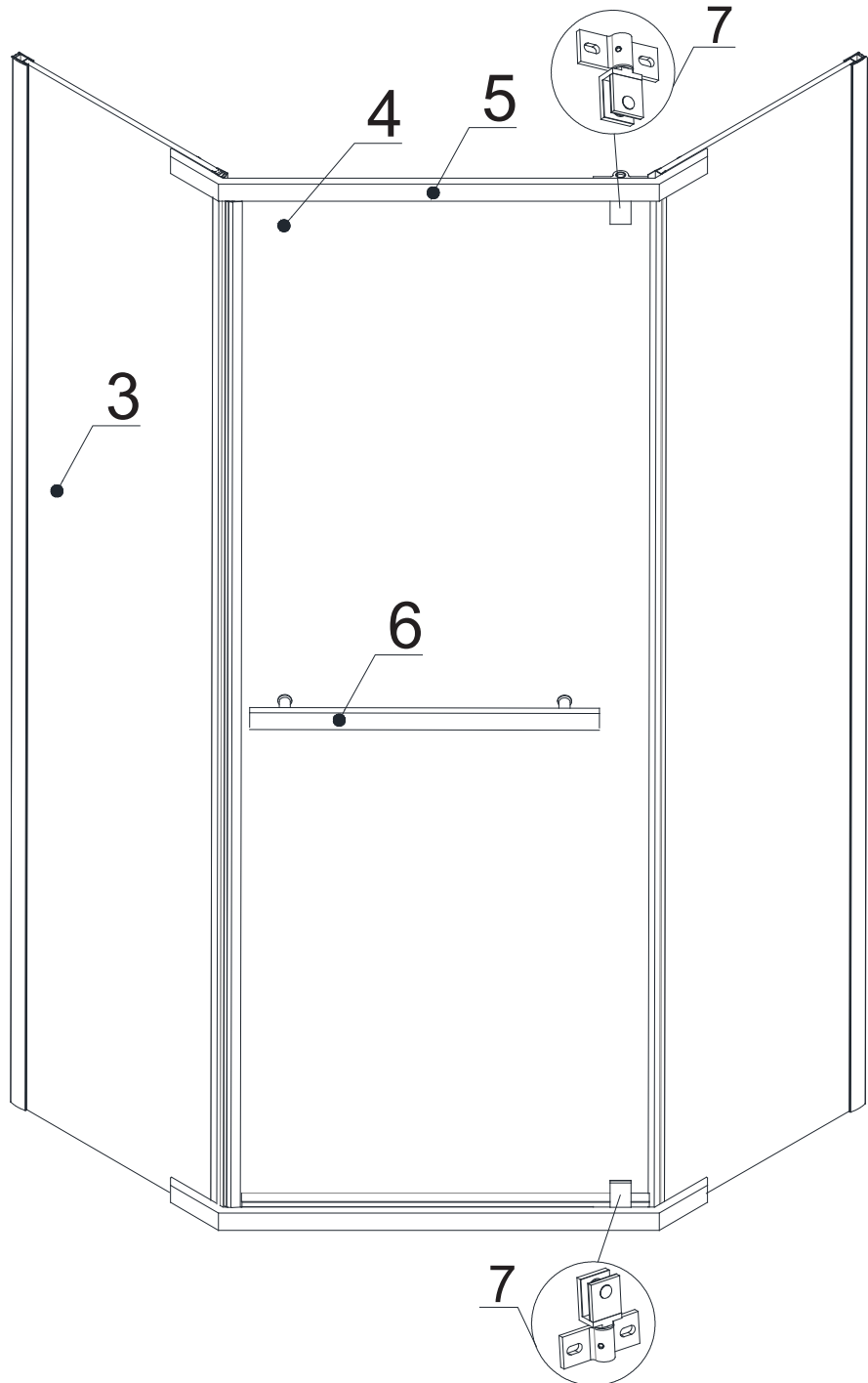
NOTE: Retain these installation instructions for future reference.

Detailed Diagram of shower door components

- 8
- 9
- 10
- 11
- 12
- 13
- 14
- 15
- 16
- 17
- 18
- 19



The glass surface with the ClearMax™ label must be installed to face inside of the shower

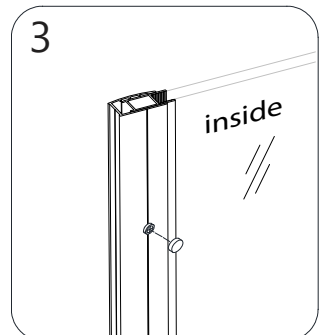
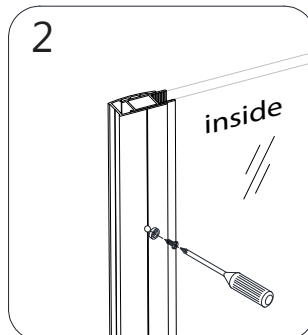
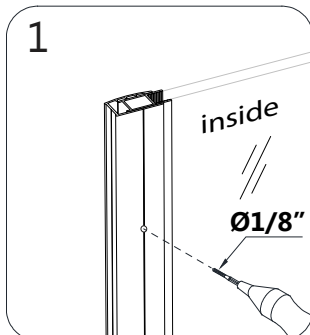
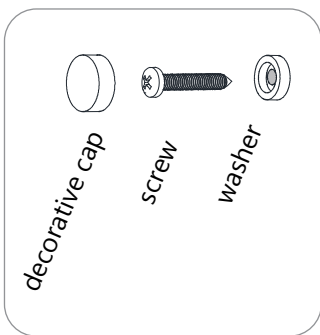
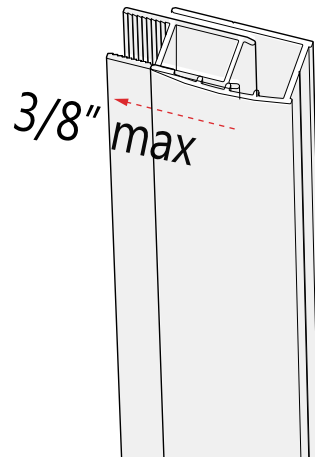
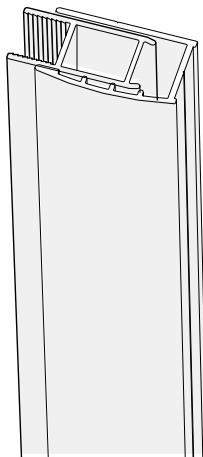
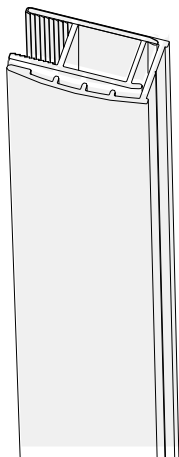
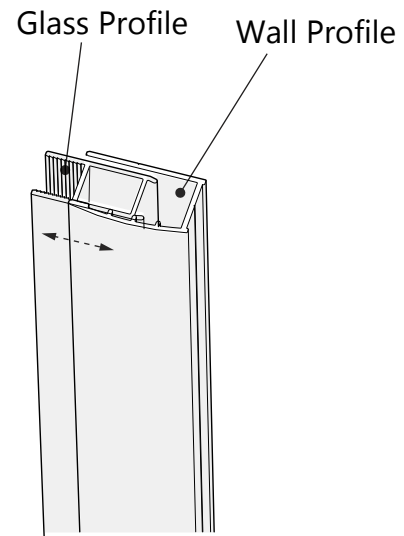


Left-hand door installation shown as an example

Adjustable Wall Profile System



The Glass Profiles can be adjusted within the Wall Profiles for overall width or to correct for out-of-plumb conditions within the model size. Screw them together after making final adjustments.



Parts List

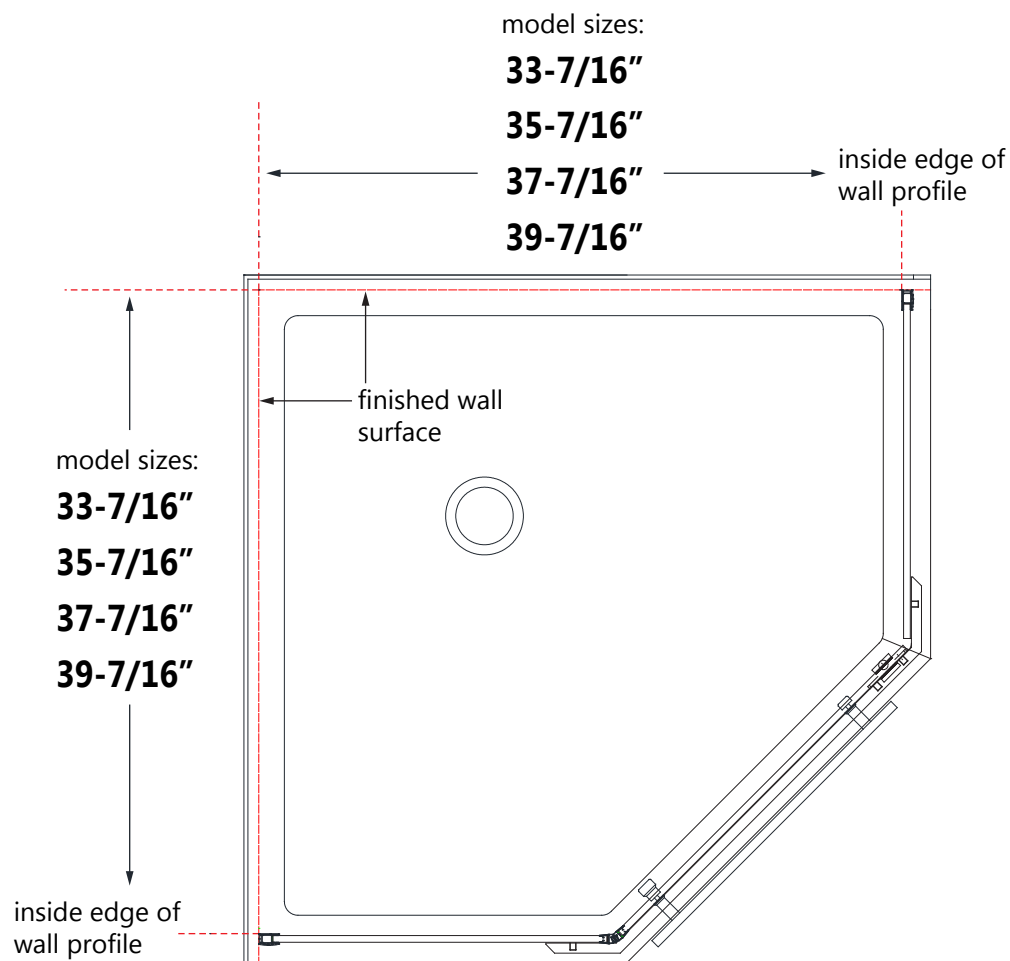
ITEM #	DESCRIPTION	QTY
01	Glass Profile	2pcs
02	Wall Profile	2pcs
03	Panel Glass	2pcs
04	Door Glass	1pc
05	Pivot Bar	2pcs
06	Handle	1pc
07	Pivot Assembly	1pair
08	Wall Anchor	8pcs
09	Decorative Cover	4pcs
10	Pan Head Screw ST4.2x10	4pcs
11	Truss Head Screw ST4.2x40	8pcs
12	Magnetic Strike Vinyl	1pair
13	Sweep Vinyl Seal	1pc
14	Hinge-Side Vinyl Seal	1pc
15	Vinyl Gasket (for Pivot Bar)	4pcs
16	Hex Socket Bolt M8x12	4pcs
17	Hex Socket Bolt M8x25	4pcs
18	Decorative Washer	4pcs
19	Hex Wrench	1pc



NOTE: This enclosure must be installed at the model size dimensions shown in **Table 1 on page 9**. Be sure that the correct size shower enclosure has been ordered to fit the finished dimensions of the base or threshold that the enclosure will be installed on.

NOTE: The thickness of the finished wall treatment will effect where the enclosure will align upon the threshold.

DreamLine PRISM Shower Enclosure	DreamLine Slimline Base
Prism 34"	DLT-2036360 (36"X36")
Prism 36"	DLT-2038380 (38"X38")
Prism 38"	DLT-2040400 (40"X40")
Prism 40"	DLT-2042420 (42"X42")



Installation steps

1. Apply clear 100% silicone into the **Glass Profiles (#01)** and firmly attach the **Glass Profiles (#01)** to the correct edge* of the **Panel Glass (#03)**.

Carefully set the **Panel Glass (#03)** assemblies aside. (**Fig 1a**)

***NOTE:** The holes (for the pivot bar) should be on the opposite edge from the glass profile. (**Fig 1b**)

NOTE: If there is difficulty sliding the **Glass Profiles (#01)** on to the **Panel Glass (#03)**, lightly tap on the Glass Profile with a rubber mallet and a piece of wood.

Do Not strike the profile directly with a hammer.

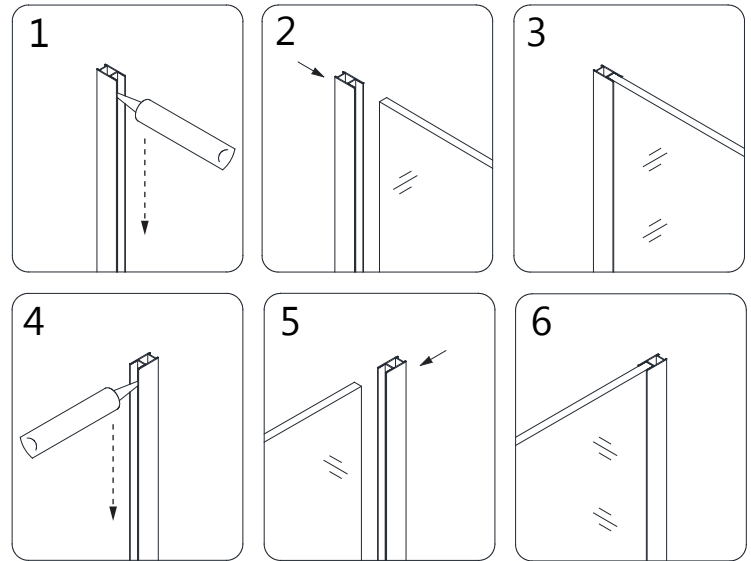
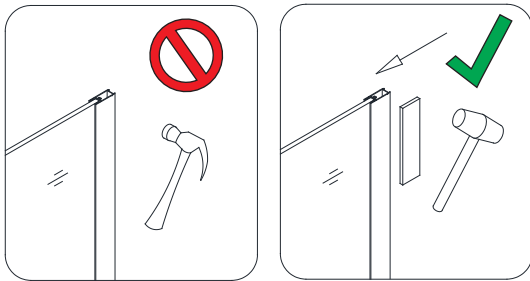
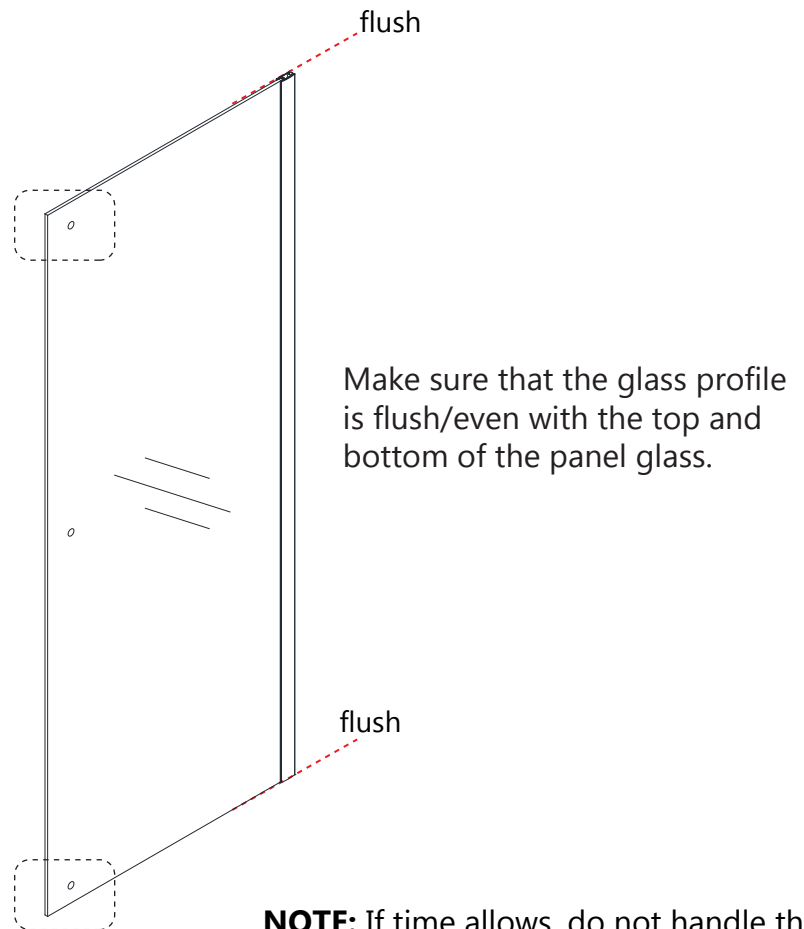


Fig 1a



Attach the **Glass Profile(s) (#01)** to the **edge opposite of the holes**.



Make sure that the glass profile is flush/even with the top and bottom of the panel glass.

Fig 1b



NOTE: If time allows, do not handle the panel glass until the silicone holding the glass profile has fully cured. This prevents the glass profile from slipping out of position during installation or adjustment.

2. Mark the wall at the threshold according to the dimensions for the model size shown in **Table 1** below.

Place the **Wall Profiles (#02)** against the walls and aligned with the new reference marks on the threshold. Use a level to plumb each wall profile. (**Table 1, Fig 2a and Fig 2b**)

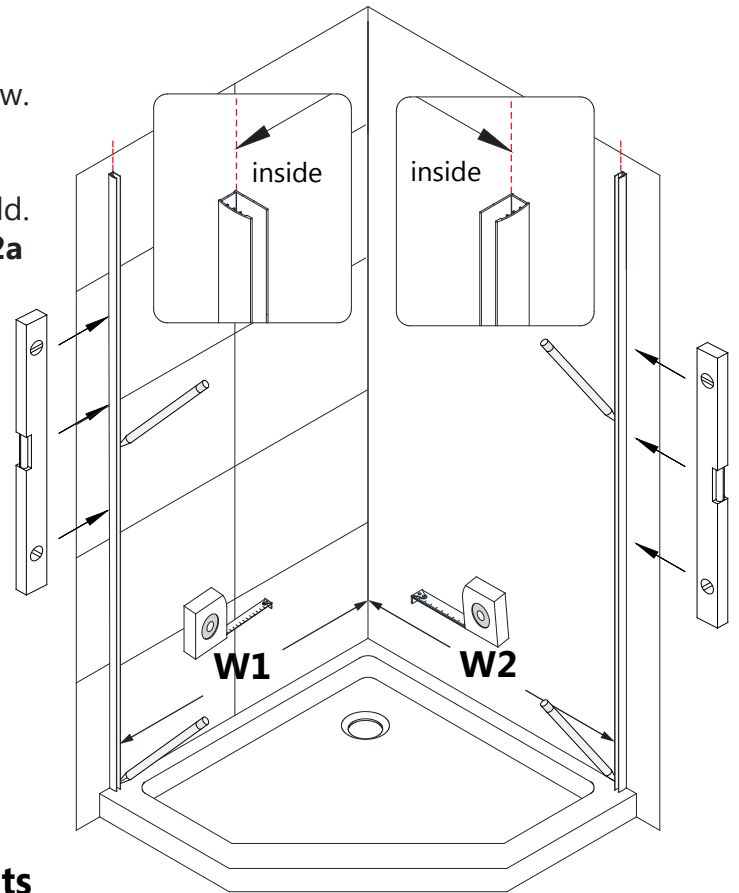
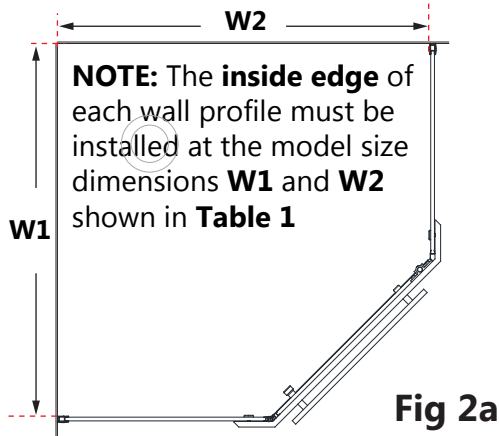


Table 1 - Enclosure assembly measurements

Measure from the finished corner to the inside edge of wall profile as shown:

Glass Box SKU /Model #	W1	W2
SHEN-GLP2101-343410	33-7/16"	33-7/16"
SHEN-GLP2101-363610	35-7/16"	35-7/16"
SHEN-GLP2101-383810	37-7/16"	37-7/16"
SHEN-GLP2101-404010	39-7/16"	39-7/16"

Fig 2b

3. Make sure each **Wall Profile (#02)** is plumb. Mark the holes for drilling on the wall through the predrilled holes in the **Wall Profile (#02)**. Drill the holes in the wall using a **Ø5/16"** drill bit and insert the **Wall Anchors (#08)**.

Run a bead of waterproof silicone along the back of the **Wall Profiles (#02)** and around the holes in the wall. Attach the **Wall Profile (#02)** to the wall using the **Truss Head Screws ST4.2x40 (#11)**. (**Fig 3**)

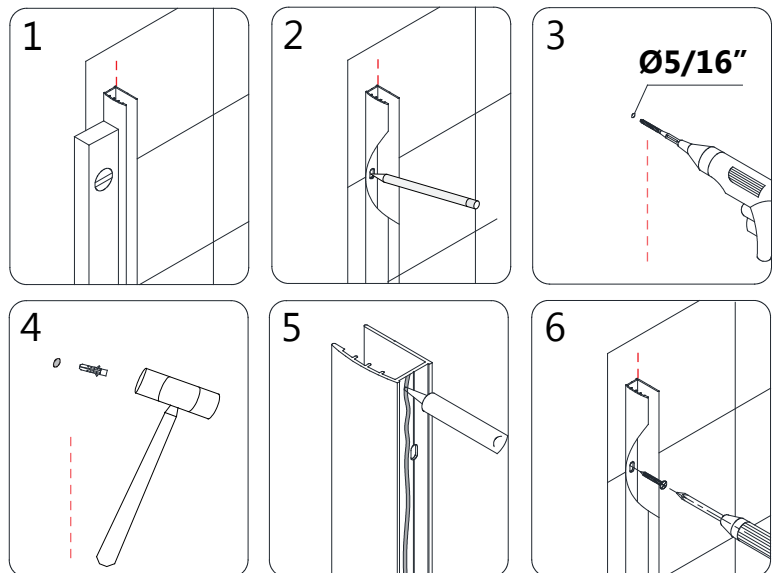


Fig 3

4. Be sure the **Panel Glass (#03)** and **Glass Profiles (#01)** have had time to set up before handling. Insert each assembled **Panel Glass (#03)** and **Glass Profile (#01)** into the installed **Wall Profiles (#03)** and check the panels for plumb. If necessary, adjustments can be made by moving the **Glass Profiles (#01)** within the **Wall Profiles (#03)**. Use caution not to pull the **Panel Glass (#03)** out of the **Glass Profiles (#01)**. (Fig 4a and Fig 4b)



NOTE: Use caution not to bang the panel glass on the threshold.

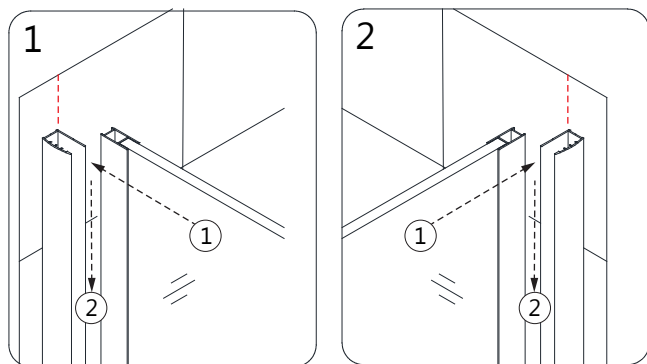


Fig 4a

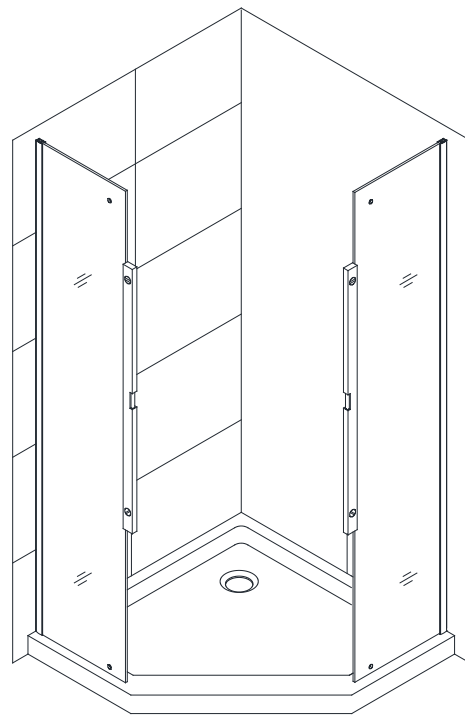


Fig 4b

5. Examine the **Pivot Bars (#05)** and notice that there are holes for the top and bottom pivot assemblies on one end. Attach the top and bottom **Pivot Bars (#05)** (with the pivot holes on the correct side for the swing of the door) through the holes in the **Panel Glass (#03)**.

Put the clear **Vinyl Gaskets (#15)** between the **Pivot Bars (#05)** and the **Panel Glass (#03)** to prevent glass-to-metal contact. Use the **Hex Socket Bolts M8x25 (#17)** and **Decorative Washer (#18)** to attach the **Pivot Bars (#05)** to the **Panel Glass (#03)**. (Fig 5a and Fig 5b)

Left-hand door installation shown as an example

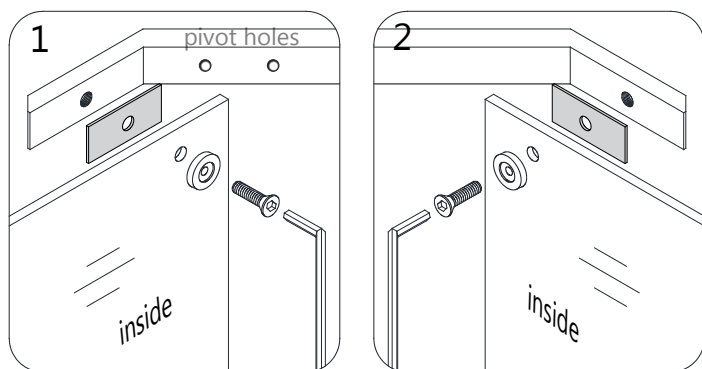


Fig 5a

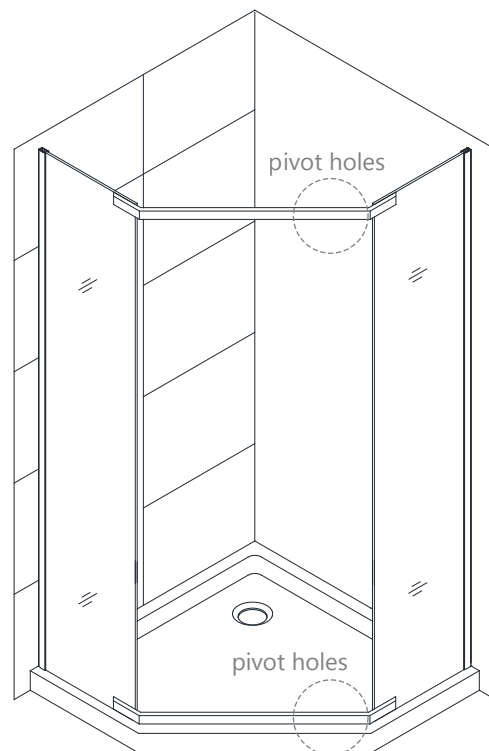


Fig 5b



Be sure to install both of the **Pivot Bars (#05)** with the pivot holes on the correct side for the desired swing of the door.



Before installing the door glass, attach the longer Magnetic Strike Vinyl (#12) to the strike edge of the Panel Glass (#03) (the panel that the door will close against) to protect the edge of the door glass from making contact with the panel glass during installation. (See Step 8, Fig 8.4)

6. The pivot assemblies are paired: one rotates CW and one rotates CCW. Take note to install the **Pivot Assemblies (#07)** to the top and bottom **Pivot Bars (#05)** so that the door will swing out. Attach the top and bottom **Pivot Assemblies (#07)** to the **Pivot Bars (#05)** using the **Hex Socket Bolts M8×12 (#16)**.

Remove the bolts and plates from the **Pivot Assemblies (#07)**. Set the **Door Glass (#04)** into the pivots so that the holes are aligned. **Make sure the vinyl gaskets are in place between the glass and the metal plates.** Firmly secure the back plate with the provided bolt. (Fig 6)

Pivot Assemblies (#07)

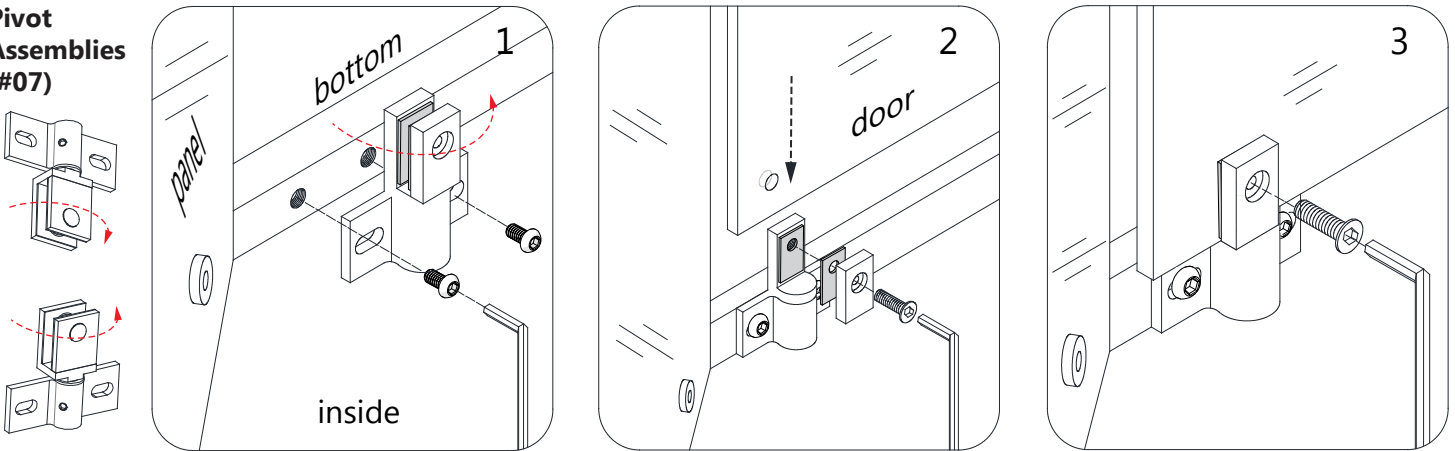


Fig 6

Left-hand door installation shown



Tip: Attach both pivot assemblies to the pivot bars as shown in Step 6 and install the door glass to the Pivot Assemblies OR attach the bottom pivot assembly to the bottom pivot bar and the top pivot assembly to the door glass and install the door.

7. Make any final adjustments using the adjustable wall profiles so that the door opening is square. Drill through the predrilled holes in the **Wall Profiles (#02)** into the first layer of the **Glass Profiles (#01)** using an $\text{Ø}1/8''$ drill bit.

Use the **Pan Head Screws ST4.2×10 (#10)** and washers to secure the **Glass Profiles (#01)** inside the **Wall Profiles (#02)**. Cover the screws with the **Decorative Covers (#09)**. (Fig 7)

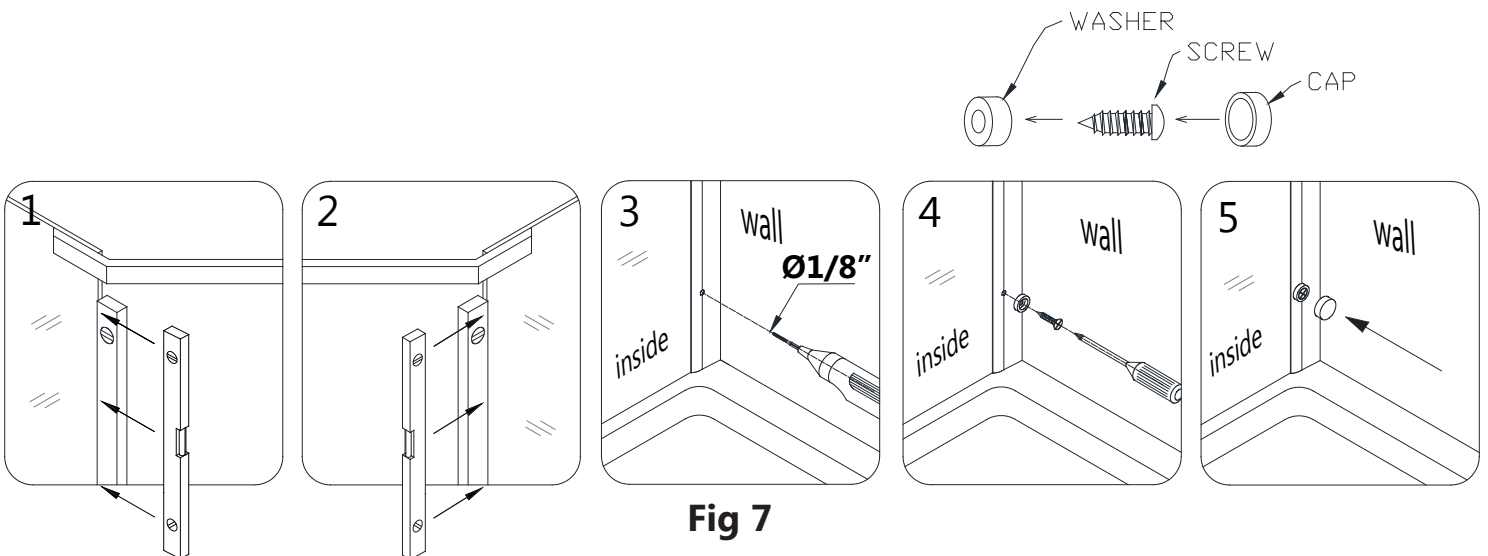


Fig 7

8. Push the **Hinge-Side Vinyl Seal (#14)** onto the pivot edge of the **Door Glass (#04)** with the soft fin on the inside of the shower so that it overlaps the **Panel Glass (#03)** when the door is closed. **(Fig 8.1)**

Cut the **Sweep Vinyl Seal (#13)** to fit from the bottom pivot to the strike edge of the **Door Glass (#04)**. (the mitered end of the Sweep Vinyl Seal goes on the strike side of the door)

Firmly push the **Sweep Vinyl Seal (#13)** onto the bottom edge of the **Door Glass (#04)**.

Trim a 1" piece from the cut-off of the **Sweep Vinyl Seal (#13)** to fit onto the opposite side of the bottom pivot and attach it to the bottom of the door glass. **(Fig 8.3)**

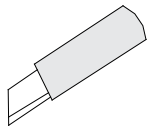
Note: The fin on the **Sweep Vinyl Seal (#13)** should be installed toward the inside of the shower. **(Fig 8.2)**

Push the shorter **Magnetic Strike Vinyl (#12)** onto the strike edge of the **Door Glass (#04)**. Notch the bottom of this **Magnetic Strike Vinyl (#12)** to fit around the **Sweep Vinyl Seal (#13)**. **(Fig 8.5)**

Attach the longer **Magnetic Strike Vinyl (#12)** to the strike edge of the **Panel Glass (#03)**.

When correctly installed, the **Magnetic Strike Vinyl (#12)** will form an outside 45-degree angle.

Adjust as necessary to get a tight seal. **(Fig 8)**



NOTE: Trim off the excess **Sweep Vinyl Seal (#13)** and attach a 1" piece onto the opposite side of the Bottom Pivot. **(Fig 8.3)**

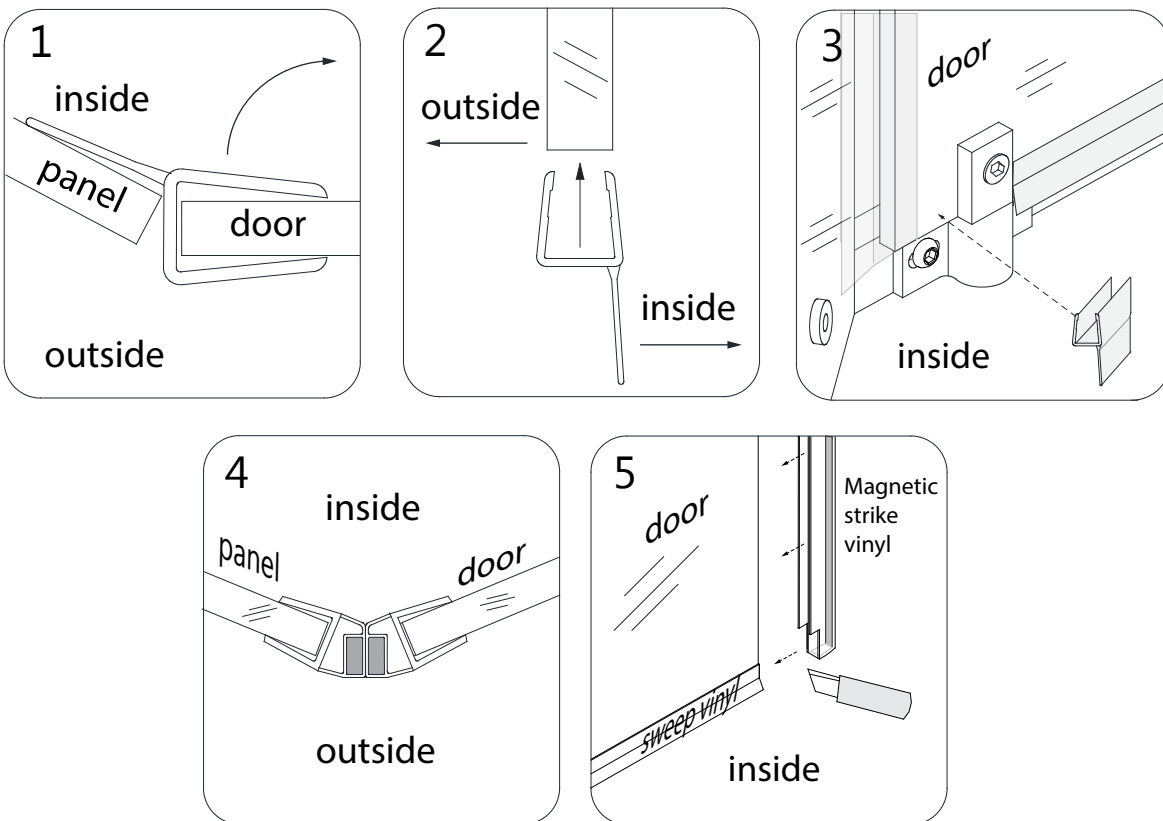


Fig 8

Left-hand door installation shown

9. Install the **Handle (#06)** onto the outside of the **Door Glass (#04)**. (**Fig 9**)
(put the knob on the magnet/strike side of the door)

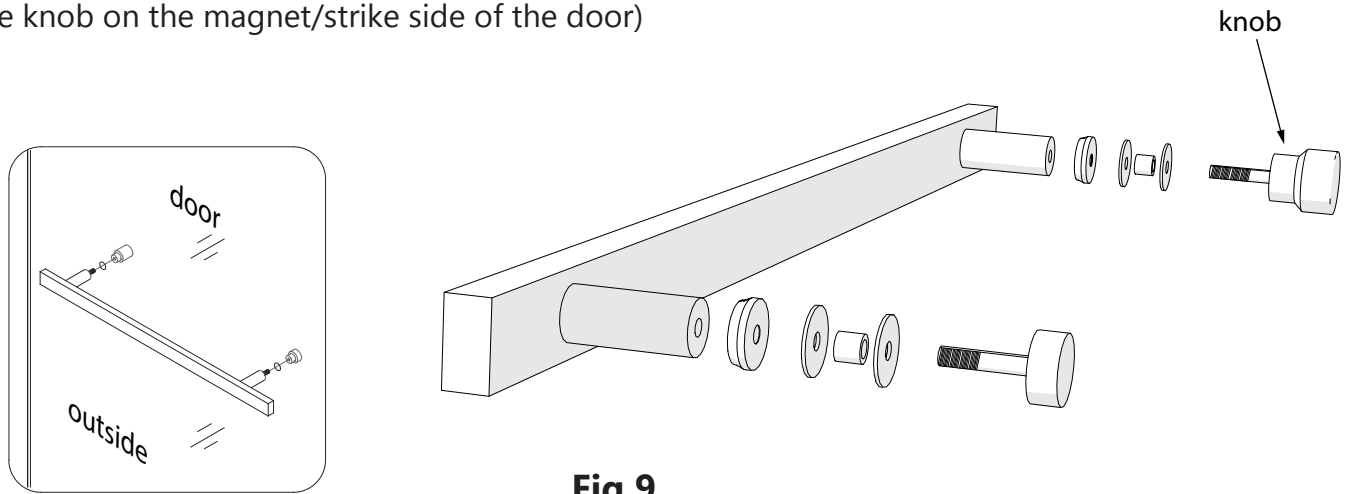


Fig 9

10. Apply a good quality mildew-resistant silicone along the interior edges of the **Panel Glass (#03)**, **Wall Profiles (#02)** and **Pivot Bar (#05)** to seal against the walls and threshold. (**Fig 10**)



Allow 24 hours for the silicone to cure before using the shower.

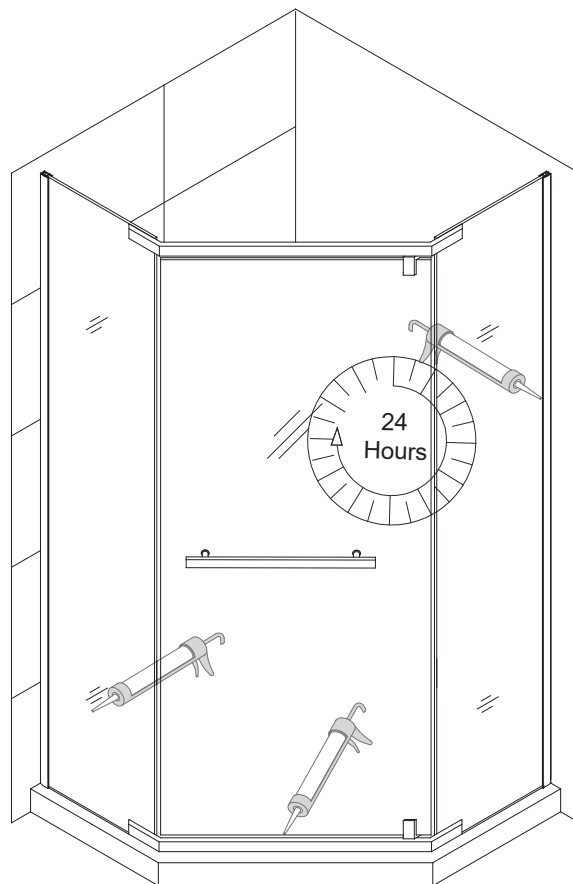


Fig 10

Product Maintenance

BASES and BACKWALLS: To ensure long-lasting life for your acrylic back walls, wipe them off after each use with a soft cloth. To clean the acrylic back walls use non-abrasive sprays or cream based cleaners. Avoid the use of aerosol spray cleaners. Never use abrasive cleansers, metal brushes or scrapers that could scratch or dull the surface.

GLASS: To ensure long-lasting life for your glass shower products, wipe them off after each use with a soft cloth. Rinse and wipe off the glass using either a soft cloth or a squeegee to prevent soap buildup and water spots (Hard water can etch the surface of the glass over time if left to dry). To prevent scratching the surface: never use abrasive cleaners or cleaning products that contain scouring agents. Never use bristle brushes or abrasive sponges that may scratch the surface.

HARDWARE: To ensure a long-lasting finish, wipe off the metal parts after each use with a soft cloth. Do not use abrasive cleaners or cleaning products containing ammonia, bleach or acid. If accidentally used, rinse the surface as soon as possible to prevent damage to the finish (peeling or corrosion). After cleaning the polished finishes, rinse thoroughly and wipe dry with a soft cloth. Clean stainless steel surfaces at least once a week. When applying stainless steel cleaner or polish to stainless steel hardware, work with (not across) the grain. Never use an abrasive sponge or cloth, steel wool or wired brush as these may permanently scratch the surfaces.

NOTE: To maximize the life of your door, it is important to regularly inspect the glass and all hardware for misalignment, proper attachment, and/or damage. Contact DreamLine® with any questions or concerns.

DreamLine® shower doors and enclosures are designed not to leak when installed properly and the flow of water is not pointed directly at the pivots or vinyl seals.



TEL: 866-731-2244
FAX: 866-857-3638
DREAMLINE.COM

For more information on DreamLine® Shower Doors and Enclosures please visit **DreamLine.com**