

Bilanx Contour Shower Seat INSTALLATION GUIDE

SAFETY CAUTION

- Due to variances in local building codes and requirements, the installation instructions provided are only suggestions and it is advised that you contact a qualified contractor for application specific advice.
- This seat is intended for sitting purposes only. **ONE PERSON** at a time.
Do not attempt to stand, kneel or use the seat for any other application other than sitting.
- The seat is designed to withstand 500lbs when installed properly. Improper installation may cause bodily harm.
- Discontinue use of the seat if visual signs of fatigue or wear become evident. Regular inspections should be made to confirm that the seat is not pulling away from the wall. If the wall brackets start to pull away from the wall **IMMEDIATELY** discontinue use and call a qualified contractor.

IMPORTANT (for 18" and 26" seats)

It is important that you give serious consideration as to the location of your Bilanx Shower Seat. We recommend advice from a healthcare professional and or a qualified contractor.

Contour Seats require in wall backing between wall studs.

- The 18" Bilanx Seat mounts at 16" on center so this model can be attached directly to wall studs that are 16" on center. The rear teakwood/walnut slats on the Contour Seats can be removed in order to clean the back wall when necessary.
- Simple cleaning with a damp cloth is all that's required to keep your Bilanx Seat looking new.
- Again, we recommend a qualified tradesman/contractor if you have any doubts about a safe and secure install.

Installation Instructions

Fold Up Shower Seat (for 18" and 26" seats)

The 18" seat can be installed directly into wood studs that are 16" on center.

The 26" seat will require additional in wall wood backing.

- Place a drop cloth, plastic or other material down in front of the area where you will be installing your Bilanx Seat.
- Be sure to protect finished floor surfaces. (tile, porcelain, acrylic, ect.)
- Remove the upper backrest seat slat; It will easily slide out. Keep the lower seat slats in place; it will be used to assure proper spacing between the two vertical mounting arms of the seat.
- Place the seat on the wall at the desired height and location. (ADA requirements call for the usable seat surface to be 17"-19" above the finished floor)
- Using the lower backrest seat slat as a guide, check for proper spacing (1/16"-3/8") between the seat slat and the seat bracket. The seat slat can be moved up and down to assure proper spacing from top to bottom. The two seat mounting arms should be parallel to one another and not flared in or out.
- Check to assure that the seat is level.
- Using a pencil, mark the locations of the 8 mounting holes.
- If drilling into tile make sure you mark your mounting points with a center punch.
- Drill the mounting holes using a ceramic or masonry drill bit.

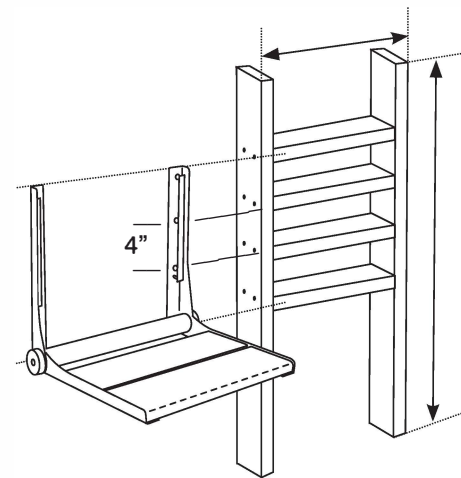
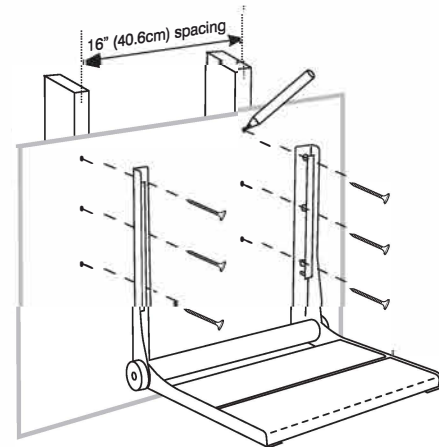
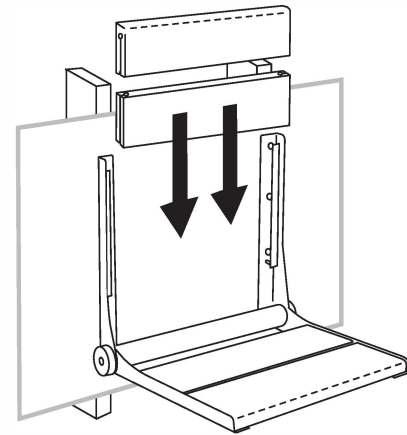
> Continue on back side

> Continued from front side

- Apply 100% silicone sealant to each hole penetration.
- Place the seat back on the wall and secure the frame with the (8) stainless steel screws that are provided.
- Take care to assure that the screw heads seat properly into the countersink holes in the frame so that the screw heads are flush with the frame.
- Replace the back slats.
- Now its time for your visual inspection as well as testing the seats strength by pushing down on the seating area as well as performing an actual sitting test.
- The seat should lower and rise with minimal resistance (one hand). If stiff, one drop of lubricating oil may be placed on each hinge joint.

Recommended Wall Reinforcement Installation Instructions

- Find the best position to mount your Bilanx Seat on the wall and mark the seat height location on the wall for future reference.
- ADA requirements are that the usable seat surface should be 17" to 19" from the finished floor.
- Find the existing wall studs and cut the wall board, sheetrock, drywall in order to expose the wall studs.
- Make sure that you cut the opening only to expose 1/2 of the wall studs so that a drywall patch can be re-attached with ease.
- We now suggest that you block the wall between the studs with additional suitable wood in order to create a support frame. The width of the support frame should be either the distance between the (2) 16" on center studs for the 18" Bilanx Seat or the distance between (3) 16" on center studs for the 26" Bilanx Seat. The height of the frame should be between 20" - 36". The Supports should be placed 4" a part to correspond with the mounting holes in the frame. Make sure the wood frame is attached well to the wood studs. We suggest woodscrews as well as wood glue.
- When the woodframe is attached, cover the drywall/sheetrock back up with a patch. Finish wall as required.
- Attached Bilanx Seat as described in Mounting Instructions



Tools Required (not included)

- Drill - Electric or Cordless
- 1/4" Drill Bit
- 24" Level
- Tape Measure
- Pencil
- Punch (for ceramic tile installation)

Note: Always check your local building code