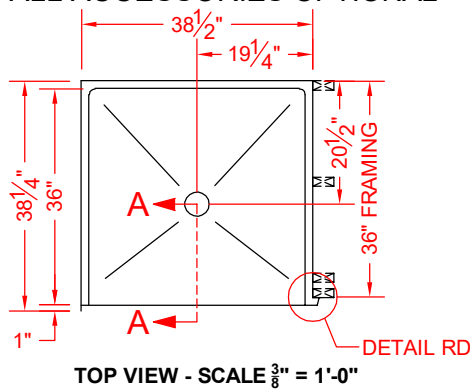


MODEL: P4038A5T* L/R



SEE OVER

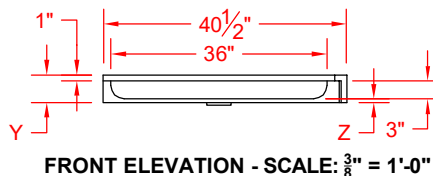
*ALL ACCESSORIES OPTIONAL



Features:

- ADA compliant, single-piece roll-in shower pan
- Molded, one-piece gelcoat/fiberglass shower pan
- Available in various threshold heights and right or left opening
- On all threshold heights 1-1/2" or taller, no mud set is required
- On all threshold heights 1-1/4" or shorter no mud set is required, but an epoxy adhesive kit is supplied

*OTHER THRESHOLD HEIGHTS AVAILABLE UPON REQUEST



	UNIT HEIGHT	THRESHOLD HEIGHT
MODEL #	Y	Z*
P4038A5T	4-5/8"	5/8" MIN.
P4038A2T	6"	2" MAX.

* - SEE BACK FOR DETAIL SECTIONS

PRODUCT SPECIFICATIONS:

- Single-piece shower pan shall be constructed of gelcoat/fiberglass
- Rough-In: Stud opening +1/4" -0" Nominal Dimensions.

C.S.I. FORMAT SPECIFICATION TEXT AVAILABLE

PRODUCT INFORMATION:

- Accessories: Factory installed, unless prone to damage during installation/shipping. Polished chrome/satin stainless standard, others available.
- Colors: White as standard, others to match any major fixture manufacturer, also available with sprayable solid surface in many colors
- Custom curb heights, other than shown, are available (between min. and max.)

OPTIONAL ACCESSORIES:

- INSTALLED BY OTHERS:
- T-shaped WaterStopper kit
 - Semi-permanent threshold adapter
 - No-caulk brass drain

CODES:

- Designed and manufactured in compliance with the following standards and codes:
- ANSI Z124.2 Standards for Plastic Showers
 - ADA Accessibility Guidelines for Buildings and Facilities
 - ANSI A117.1 A - Accessible and Usable Buildings and Facilities
 - ANSI A117.1 B - Accessible and Usable Buildings and Facilities
 - IPC International Plumbing Code
 - UPC Uniform Plumbing Code

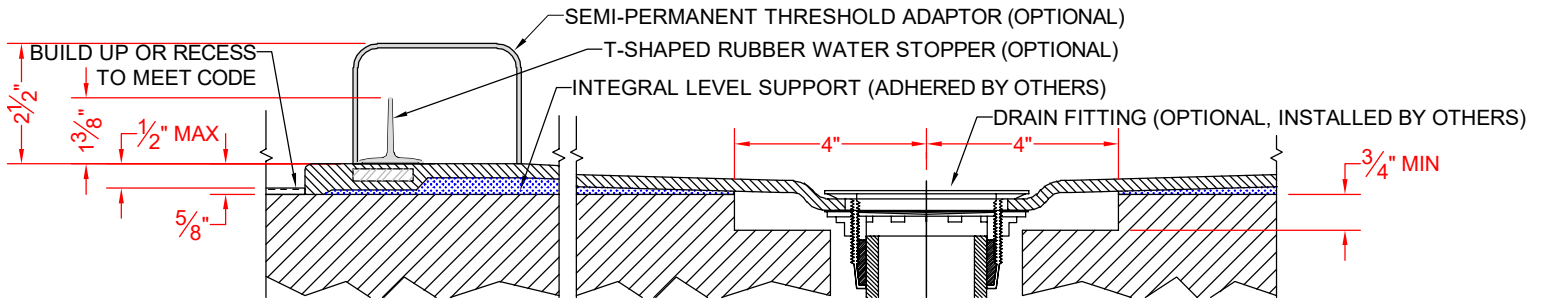
NOTICE OF LIMITATION:

- Recess as needed to meet code
- Adhere to floor as required
- Reveal not recommended on common wall



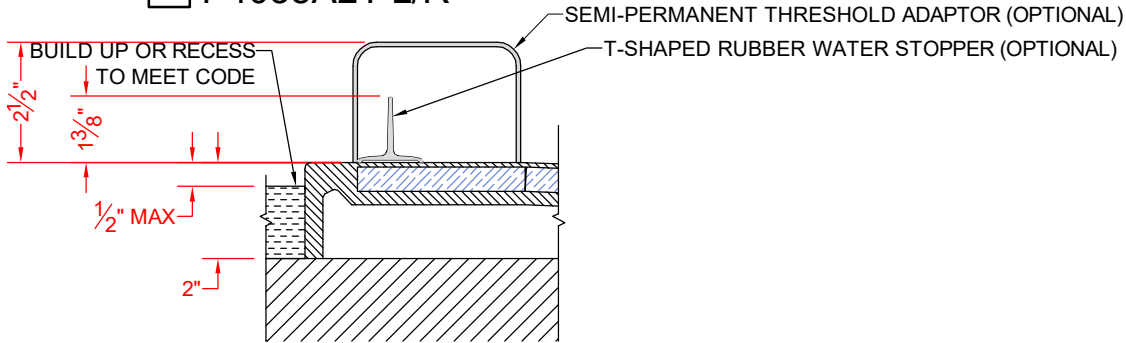
We reserve the right to make revisions without notice in the design of fixtures or in packaging unless this right has specifically been waived at the time the order is accepted.

□ P4038A5T L/R



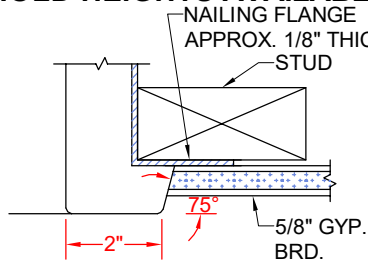
SECTION A-A - SCALE: 3" = 1'-0"

□ P4038A2T L/R



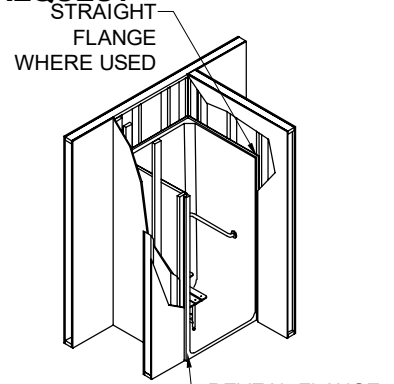
SECTION A-A - SCALE: 3" = 1'-0"

****OTHER THRESHOLD HEIGHTS AVAILABLE UPON REQUEST****



ISOMETRIC

DETAIL FD - SCALE: N.T.S.
FRAMING DETAIL



DETAIL RD - SCALE: N.T.S.
REVEAL DETAIL