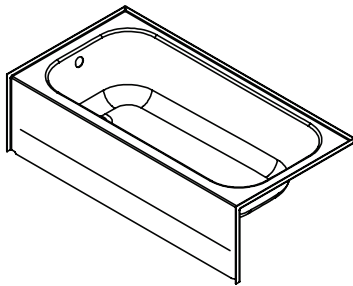
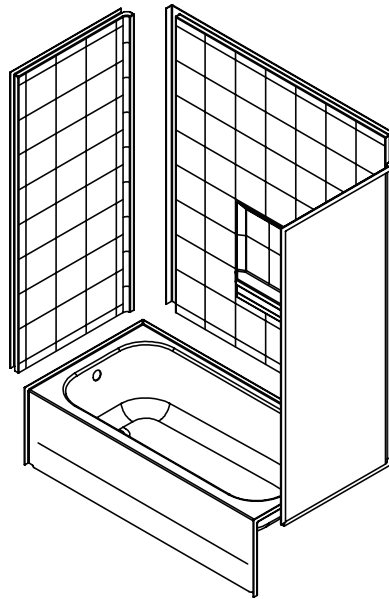


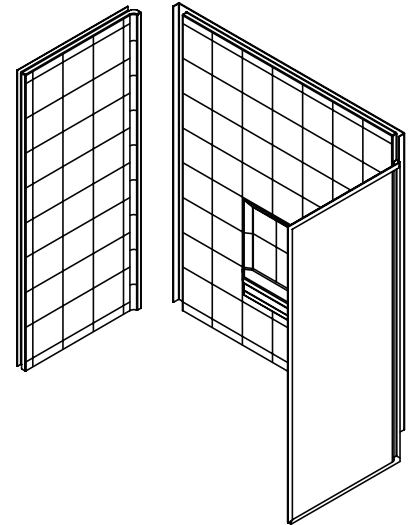
This packet includes installation instructions for the Bestbath® products shown below.
 (These instructions also available at www.bestbath.com)



Tub



4-Piece Tub/Shower



3-Piece Wall Surround

INITIAL SETUP

Pre-Installation Prep.....	2
Preparing the Shower Pocket (For Multi-Piece Units) ...	2

TUB INSTALLATION

Installing a Tub Shower.....	3
------------------------------	---

WALL INSTALLATION

Installing Wall Surrounds	3–5
---------------------------------	-----

**Before you begin installation,
 please carefully read all instructions
 regarding the proper installation of
 your shower unit.**

Initial Setup

PRE-INSTALLATION PREP

1 CHECK PARTS INVENTORY

If any parts are damaged, immediately file a claim with the carrier. Minor damage (scuffs and scrapes) can be touched up later.

FOR TUB ONLY

- Tub

FOR MULTI-PIECE UNITS

- Side walls
- Back wall
- Joint sealant
- Construction adhesive (Depending on model)
- Suction cups (Depending on model)
- *Optional:* Flange trim kit for walls

2 GATHER SUPPLIES

FOR TUB ONLY

- Drywall screws (1½")

FOR MULTI-PIECE UNITS

- Drywall screws (1½")
- Shim wedges
- Four pieces 2x4 lumber, 8 ft. long (for walls; see Step 2 at right)

Please read all instructions provided in this guide prior to installation.

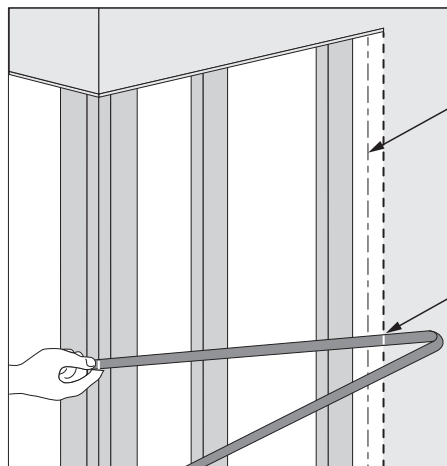
PREPARING SHOWER POCKET



Top of nailing flange, plus 1".

- 1 Mark and cut out drywall to fit back and side walls of shower. Remove drywall 1" beyond side wall and top nailing flanges. (Figures 1 and 2)

Figure 1



Front edge of side wall flange

Measuring from the corner, cut out drywall 1" beyond shower side wall flange

Figure 2

- 2 Install studs to provide support for flange and drywall attachment. (Figure 3)

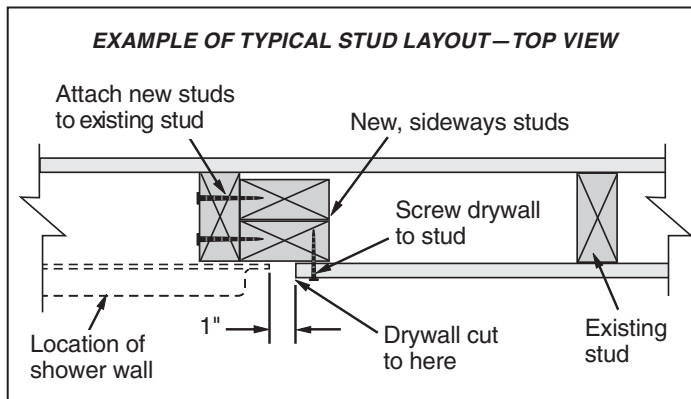


Figure 3

INSTALLING A TUB SHOWER

INSTALLING WALL SURROUNDS

! CAUTION: IF NOT INSTALLED PROPERLY, THE TUB SHOWER MAY NOT PERFORM AS DESIGNED AND WILL NOT BE COVERED BY THE WARRANTY.

- 1 Check shower pocket area for level and for correct dimensions. Make sure drain hole is in the correct position.
- 2 Dry-Fit the tub: Set the tub unit in the pocket. You MUST use level to ensure the unit is level. Shim if necessary.

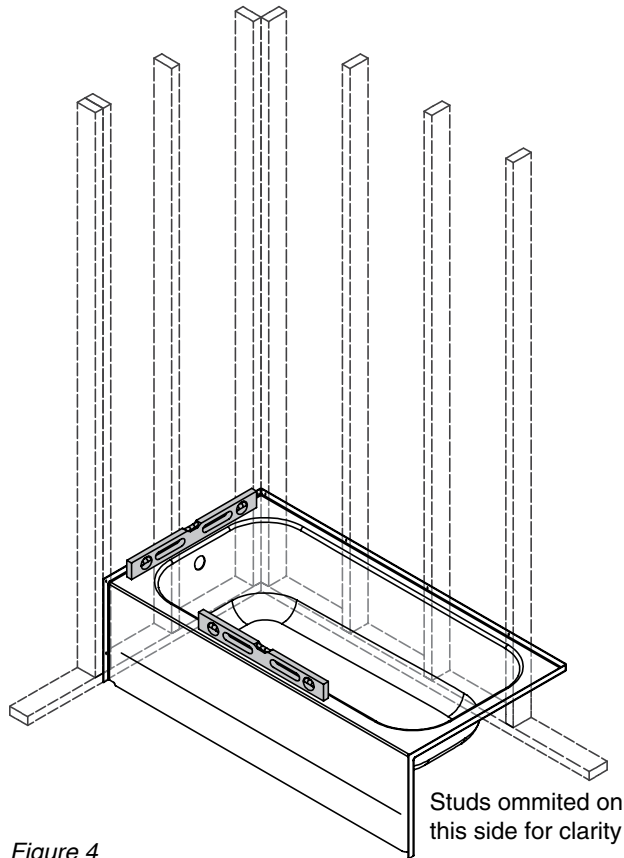
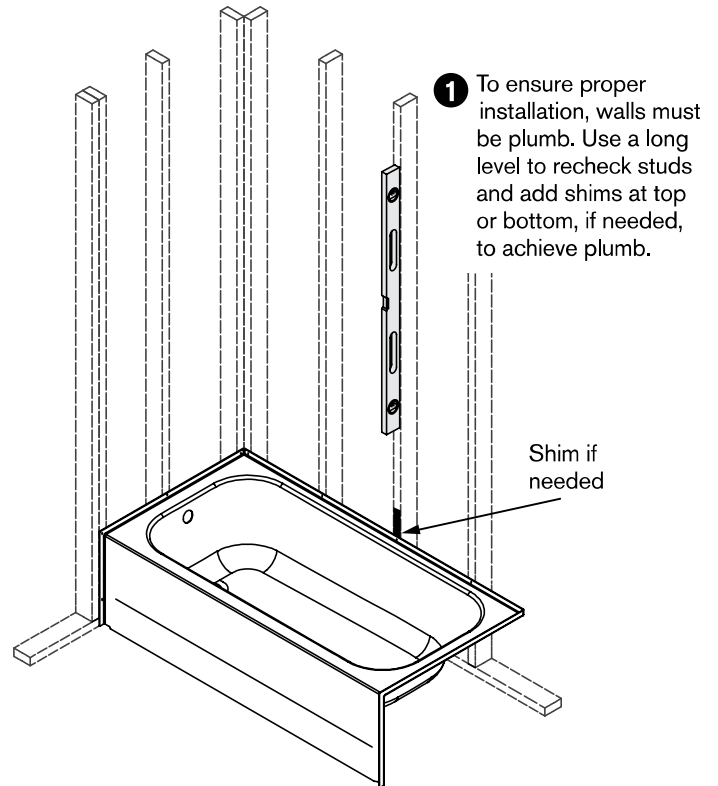
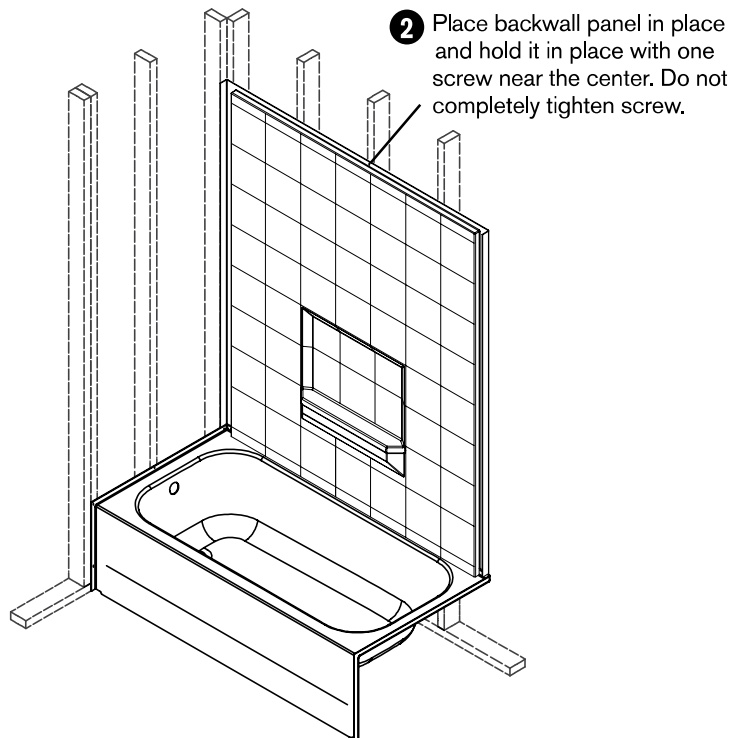


Figure 4

- 3 Once the unit has been leveled, have a plumber rough in the valve as well as the plumbing to the drain and overflow.
- 4 Make sure the tub drains properly by pouring water in it. If in doubt, remove the tub from the pocket and review the previous steps.
- 5 Once drainage has been tested, screw the tub's flanges to framing. Pre-drill the nailing flanges to avoid cracking the gel coat.



1 To ensure proper installation, walls must be plumb. Use a long level to recheck studs and add shims at top or bottom, if needed, to achieve plumb.

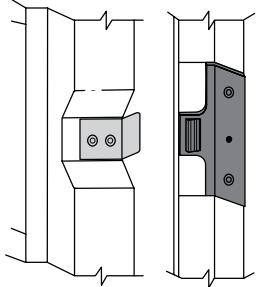


2 Place backwall panel in place and hold it in place with one screw near the center. Do not completely tighten screw.

INSTALLING SHOWER WALLS

3 Drill plumbing holes in side wall panel; then proceed to side wall installation (**Step 4A or 4B**).

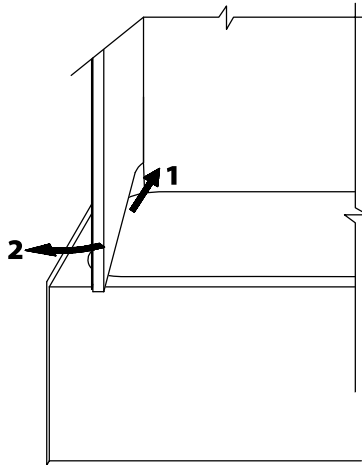
4A SnapJoint Walls: If your walls have the SnapJoint hardware shown below, proceed with steps A1 and A2.



A1 Installing valve wall:

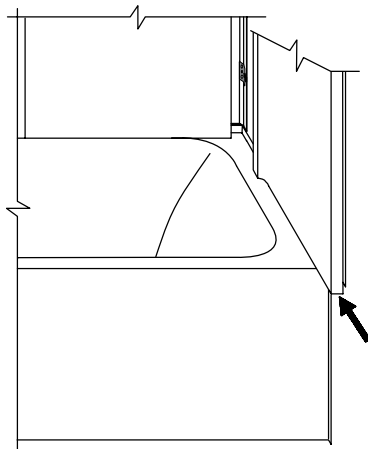
If parts of the shower valve and/or pipe nipple stick out:

- (1) Completely insert side wall at an angle to clear plumbing.
- (2) Rotate the wall into place;
- (3) Push wall until front is flush with tub.



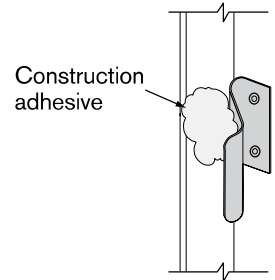
A2 Installing non-valve wall:

Rest side wall on tub ledge, then push it into the wall channel until front is flush with tub.



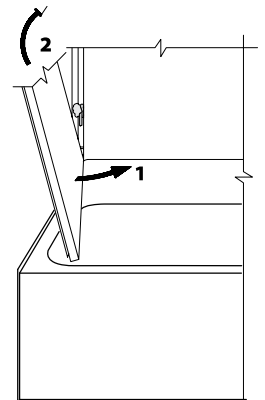
4B SpringClip Walls: If your walls have the SpringClip hardware shown below, proceed with steps B1–B3.

B1 Unless you are doing a dry fit first, apply a generous dollop of construction adhesive (included) between the flange and the back of each SpringClip as shown. After applying the adhesive, proceed directly to step B2.

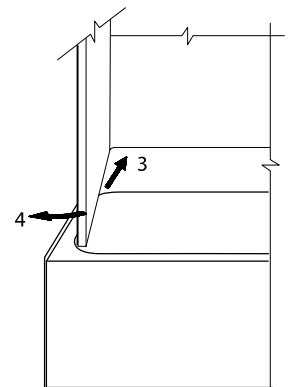


B2 Installing valve wall:

- (1) Holding side wall angled inward, insert it at the lowest SpringClip first.
- (2) Pivot the wall up to engage the remaining clips.



- (3) Keep side wall completely inserted but still angled to clear the shower valve and/or pipe nipple.
- (4) Rotate wall over plumbing. Push wall in until front is flush with tub.



INSTALLING SHOWER WALLS (CONTINUED)

5 With walls firmly pushed down and front edge of side wall aligned with front edge of tub, screw through side wall flanges into framing.

6 For SnapJoint Walls ONLY: Attach a suction cup (supplied with the unit) on the back wall panel. Pull it firmly forward until the back and side walls are pulled together. You will hear a series of clicks as the panel locking clips engage.

7 Screw top flange of back wall to studs. **Apply silicone caulk in all joints.**

