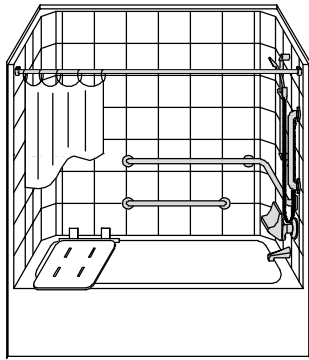
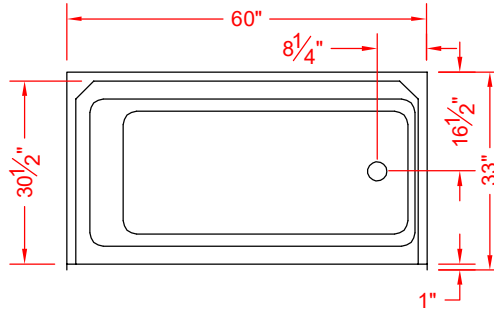


# MODEL: ETS6032A17\* L/R

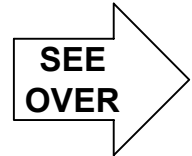
\*ALL ACCESSORIES OPTIONAL



**PERSPECTIVE VIEW - N.T.S.**  
**MODEL SHOWN HERE AS:**  
 RIGHT DRAIN

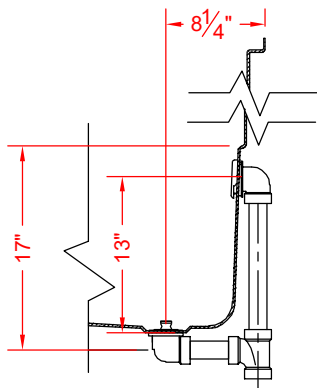


**TOP VIEW - SCALE  $\frac{3}{8}'' = 1'-0''$**

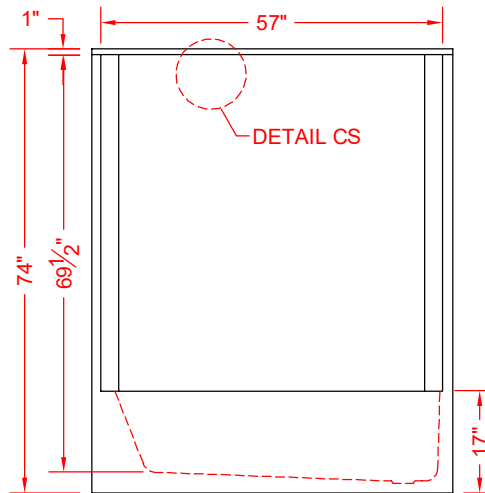


## Features:

- Molded one-piece gelcoat/fiberglass tub/shower module
- "Eight Inch Tile" wall finish, white (standard)
- Integral full wood backing for strength and unlimited accessory placement



**ROUGH-IN DETAIL - N.T.S.**  
 (PARTS SUPPLIED BY OTHERS)



**FRONT ELEVATION - SCALE:  $\frac{3}{8}'' = 1'-0''$**

**\*SEE BACK FOR DETAIL SECTION**

## PRODUCT SPECIFICATIONS:

- Single-piece module shall be constructed of gelcoat/fiberglass with full integral plywood backing in the walls.
- Rough-In: Stud opening +1/4" – 0" Nominal Dimensions

C.S.I. FORMAT SPECIFICATION TEXT AVAILABLE

## PRODUCT INFORMATION:

- Accessories: Factory installed, unless prone to damage during installation/shipping. Polished chrome/satin stainless standard, others available. (not applicable to pans/bases)
- Colors: White as standard, others to match any major fixture manufacturer, also available with sprayable solid surface in many colors

## OPTIONAL ACCESSORIES:

### INSTALLED AT FACTORY:

- Seat, folding
- Grab bar
- Soap dish
- Mixing valve, pressure-balancing, lever handle, pre-plumbed tree to supply elbow
- Curtain rod brackets

### INSTALLED BY OTHERS:

- Curtain and rod
- No-caulk brass drain
- Flange-Window trim kits

## CODES:

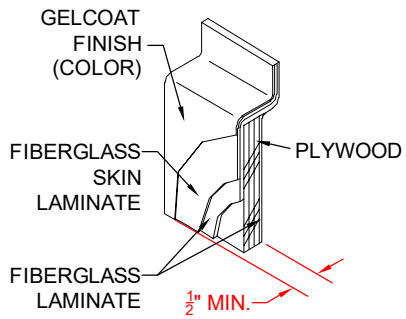
Designed and manufactured in compliance with the following standards and codes:

- ANSI Z124.2 Standards for Plastic Showers
- ADA Accessibility Guidelines for Buildings and Facilities
- ANSI A117.1 A - Accessible and Usable Buildings and Facilities
- ANSI A117.1 B - Accessible and Usable Buildings and Facilities
- IPC International Plumbing Code
- UPC Uniform Plumbing Code

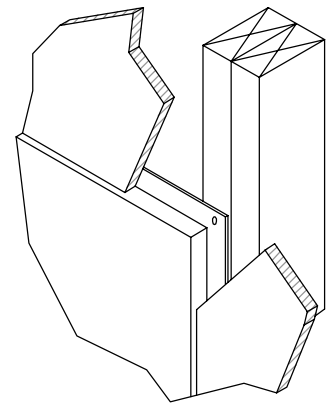
## NOTICE OF LIMITATION:



*We reserve the right to make revisions without notice in the design of fixtures or in packaging unless this right has specifically been waived at the time the order is accepted.*



DETAIL CS - SCALE: N.T.S.  
CROSS SECTION DETAIL



DETAIL DD - SCALE: N.T.S.  
TYPICAL DRYWALL