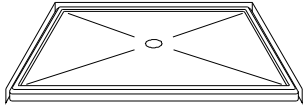
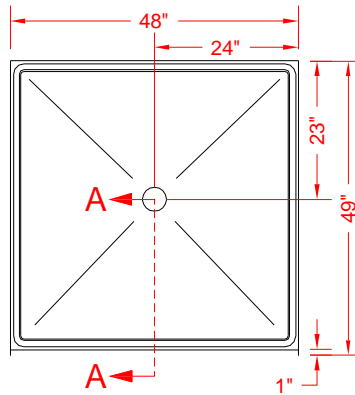


# MODEL: P4848B22B

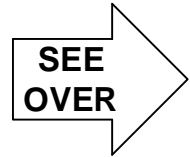
ALL ACCESSORIES AVAILABLE



PERSPECTIVE VIEW - N.T.S.  
MODEL SHOWN HERE AS:

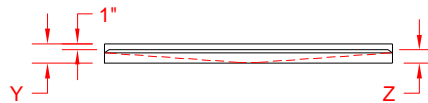


TOP VIEW - SCALE  $\frac{3}{8}'' = 1'-0''$



## Features:

- Molded, one piece gelcoat/fiberglass shower pan
- On all threshold, heights 1-1/2" or taller, no mud set is required



FRONT ELEVATION - SCALE:  $\frac{3}{8}'' = 1'-0''$

	UNIT HEIGHT	THRESHOLD HEIGHT
MODEL #	Y	Z*
P4848B22B	3-1/4"	2-1/4"
-	-	-

\* - SEE BACK FOR DETAIL SECTIONS

## PRODUCT SPECIFICATIONS:

- One piece shower pan shall be constructed of gelcoat/fiberglass
- Rough-In: Stud opening + 1/4"-0" Nominal Dimensions.

C.S.I. FORMAT SPECIFICATION TEXT AVAILABLE

## PRODUCT INFORMATION:

-Colors: White as standard, others to match any major fixture manufacturer, also available with sprayable solid surface in many colors

## ACCESSORIES:

### INSTALLED BY OTHERS:

- Collapsible Rubber Water Retainer
- Semi-permanent Threshold Adaptor
- Caulkless drain

## CODES:

Designed and manufactured in compliance with the following standards and codes:  
 -A.N.S.I. Z124.2 Standards for Plastic Showers  
 -I.P.C. International Plumbing Code  
 -U.P.C. Uniform Plumbing Code

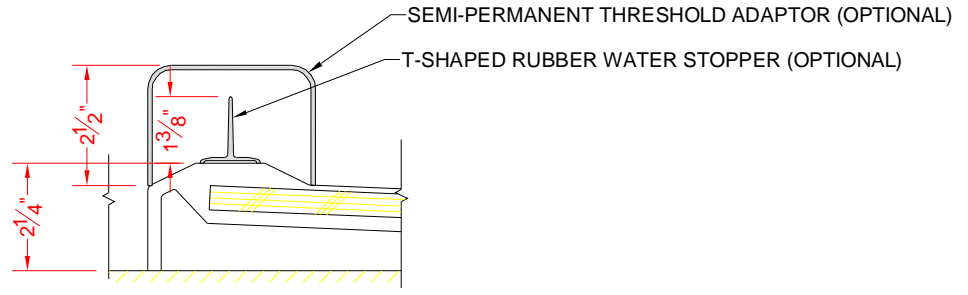
## NOTICE OF LIMITATION:



DIV. OF FIBERGLASS SYSTEMS INC.  
www.best-bath.com 1-800-727-9907

We reserve the right to make revisions without notice in the design of fixtures or in packaging unless this right has specifically been waived at the time the order is accepted.

□ P4848B22B



SECTION A-A - SCALE: 3" = 1'-0"