

MODEL: P27239A75B*

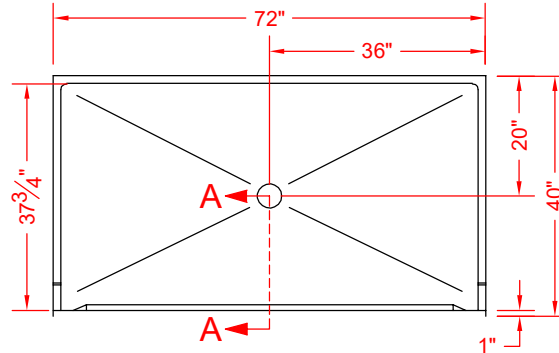


CA TITLE 24
COMPLIANT

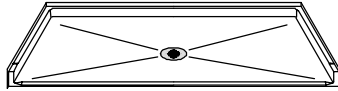
APPRVD
BY
ENG

SEE
OVER

*ALL ACCESSORIES OPTIONAL



TOP VIEW - SCALE $\frac{3}{8}$ " = 1'-0"

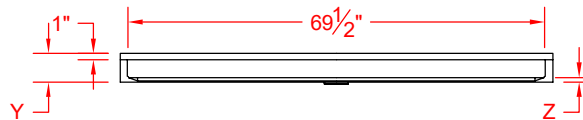


PERSPECTIVE VIEW - N.T.S.

Features:

- ADA compliant single-piece roll-in shower pan
- Will be CBC Housing Accessibility compliant even if shower door is used and provide 36" clear depth
- Molded, one-piece gelcoat/fiberglass shower pan
- Available in various threshold heights
- On threshold heights 1-1/2" or taller, mud set is required
- On all threshold heights 1-1/4" no mud set is required, but an epoxy adhesive kit is supplied

*OTHER THRESHOLD HEIGHTS AVAILABLE UPON REQUEST



FRONT ELEVATION - SCALE: $\frac{3}{8}$ " = 1'-0"

MODEL #	UNIT THRESHOLD HEIGHT	
	Y	Z*
P27239A75B	4-3/4"	3/4" MIN
P27239A2B	6"	2" MAX

* - SEE BACK FOR DETAIL SECTIONS

PRODUCT SPECIFICATIONS:

- Single-piece shower pan shall be constructed of gelcoat/fiberglass
- Rough-In: Stud opening +1/4" -0" Nominal Dimensions.

C.S.I. FORMAT SPECIFICATION TEXT AVAILABLE

PRODUCT INFORMATION:

- Colors: White as standard, others to match any major fixture manufacturer, also available with sprayable solid surface in many colors
- Custom curb heights, other than shown, are available (between min. and max.)

OPTIONAL ACCESSORIES:

- INSTALLED BY OTHERS:
- T-shaped WaterStopper kit
 - Semi-permanent threshold adapter
 - No-caulk brass drain

CODES:

- Designed and manufactured in compliance with the following standards and codes:
- ANSI Z124.2 Standards for Plastic Showers
 - ADA Accessibility Guidelines for Buildings and Facilities
 - ANSI A117.1 A - Accessible and Usable Buildings and Facilities
 - ANSI A117.1 B - Accessible and Usable Buildings and Facilities
 - IPC International Plumbing Code
 - UPC Uniform Plumbing Code

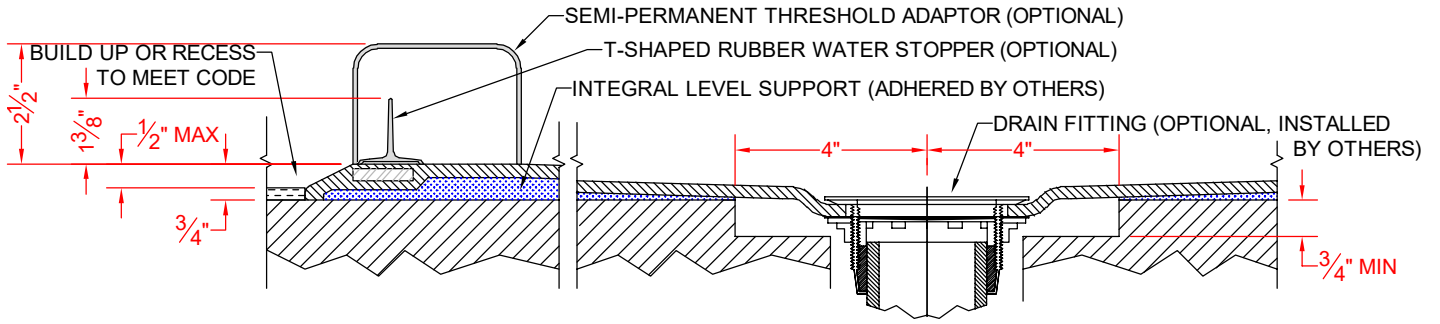
NOTICE OF LIMITATION:

- Recess as needed to meet code
- Adhere to floor as required

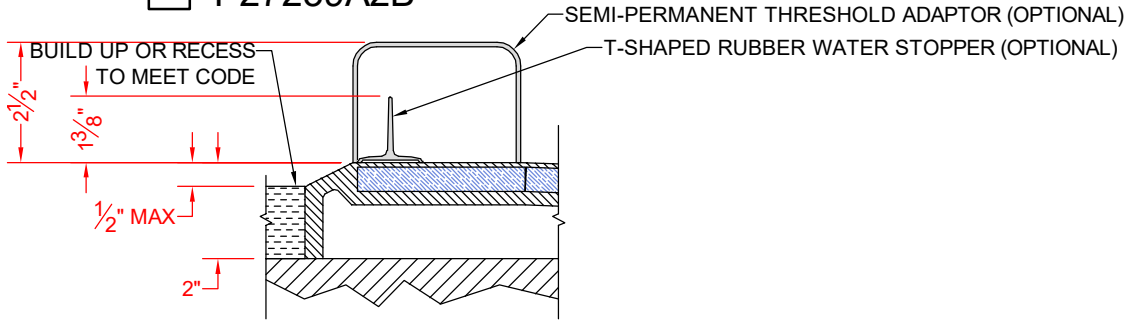


We reserve the right to make revisions without notice in the design of fixtures or in packaging unless this right has specifically been waived at the time the order is accepted.

□ P27239A75B



□ P27239A2B



SECTION A-A - SCALE: 3" = 1'-0"

SECTION A-A - SCALE: 3" = 1'-0"

****OTHER THRESHOLD HEIGHTS AVAILABLE UPON REQUEST****