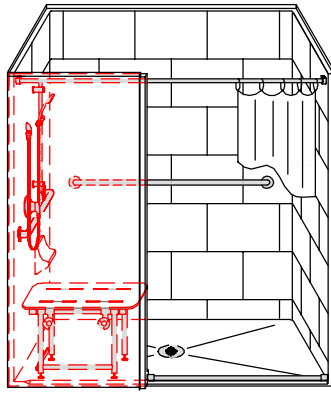


# MODEL: LB3S26337W75B\* L/R

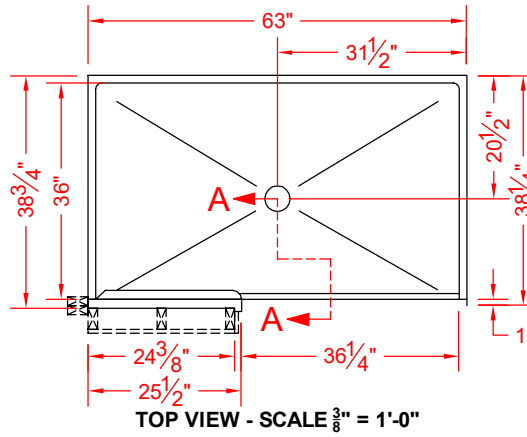


SEE OVER

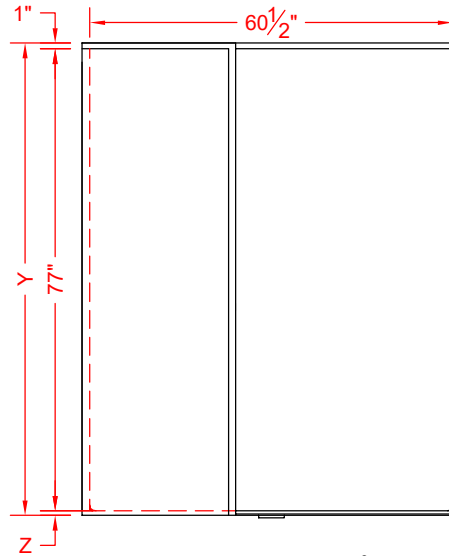


**PERSPECTIVE VIEW - N.T.S.**  
**MODEL SHOWN HERE AS:**  
 LEFT PLUMBING  
 LEFT SEAT  
 LEFT WING WALL

\*ALL ACCESSORIES OPTIONAL



**TOP VIEW - SCALE  $\frac{3}{8}$ " = 1'-0"**



**FRONT ELEVATION - SCALE:  $\frac{3}{8}$ " = 1'-0"**

## Features:

- ADA compliant multi-piece alternate roll-in shower (single piece shower stall with wing wall)
- Molded two-piece gelcoat/fiberglass shower module
- Complies with ADA minimum inside dimensions for alternate roll-in type showers of 60" x 36" for with wing wall mounted seat
- "Subway Tile", 12" x 18" simulated tile wall finish, white (standard)
- Integral full wood backing for strength and unlimited accessory placement
- Available in various threshold heights
- On all threshold heights 1-1/4" or shorter, no mud set is required and an anchoring adhesive kit is supplied
- On all threshold heights 1-1/2" or taller, no mud set is required

**\*OTHER THRESHOLD HEIGHTS AVAILABLE UPON REQUEST**

MODEL #	UNIT HEIGHT	THRESHOLD HEIGHT
	Y	Z*
LB3S26337W75B	78-3/4"	3/4" MIN
LB3S26337W2B	80"	2" MAX

\* - SEE BACK FOR DETAIL SECTIONS

## PRODUCT SPECIFICATIONS:

- Single-piece shower module shall be constructed of gelcoat/fiberglass with full integral plywood backing
- Rough-In: Stud opening +1/4" -0" Nominal Dimensions.

C.S.I. FORMAT SPECIFICATION TEXT AVAILABLE

## PRODUCT INFORMATION:

- Accessories: Factory installed, unless prone to damage during installation/shipping. Polished chrome/satin stainless standard, others available.
- Colors: White as standard, others to match any major fixture manufacturer, also available with sprayable solid surface in many colors
- Custom curb heights, other than shown, are available (between min. and max.)

## OPTIONAL ACCESSORIES:

### INSTALLED AT FACTORY:

- Seat, folding
- Grab bar
- Soap dish
- Mixing valve, pressure-balancing, lever handle, pre-plumbed tree to supply elbow
- Curtain rod brackets

### INSTALLED BY OTHERS:

- No-caulk brass drain
- Flange-window trim kits
- T-shaped WaterStopper kit
- Semi-permanent threshold adapter

## CODES:

- Designed and manufactured in compliance with the following standards and codes:
- ANSI Z124.2 Standards for Plastic Shower
  - ADA Accessibility Guidelines for Buildings and Facilities
  - ANSI A117.1 A - Accessible and Usable Buildings and Facilities
  - ANSI A117.1 B - Accessible and Usable Buildings and Facilities
  - IPC International Plumbing Code
  - UPC Uniform Plumbing Code

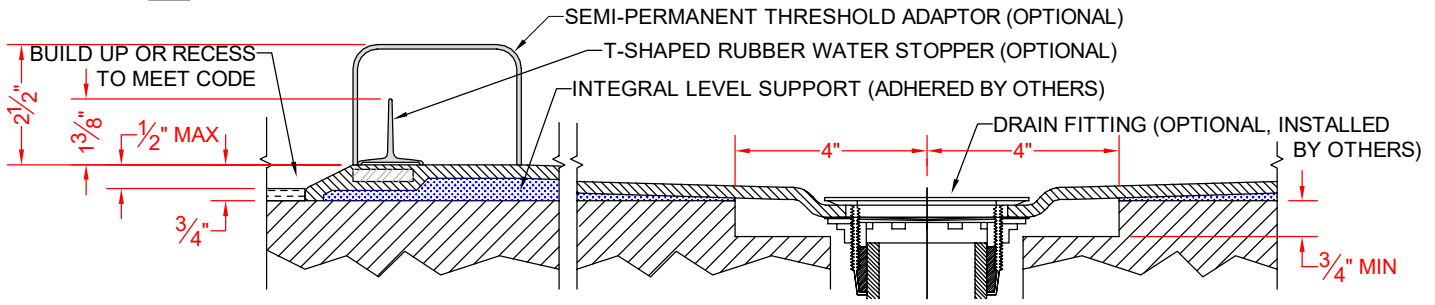
## NOTICE OF LIMITATION:

- Recess as needed to meet code
- Adhere to floor as required



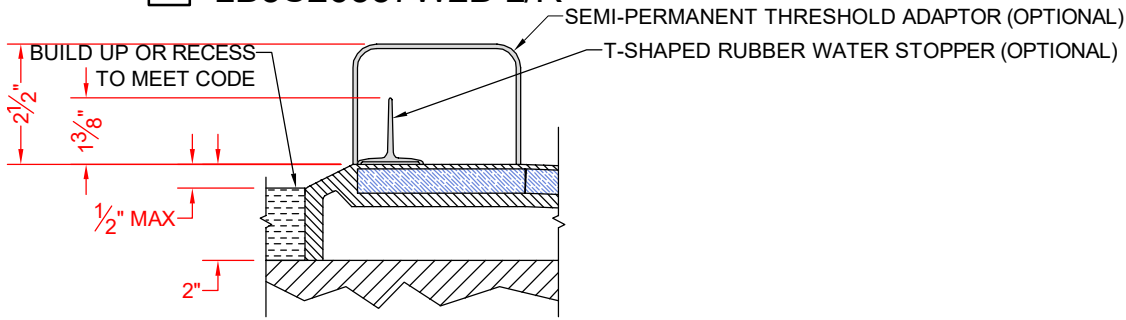
*We reserve the right to make revisions without notice in the design of fixtures or in packaging unless this right has specifically been waived at the time the order is accepted.*

□ LB3S26337W75B L/R



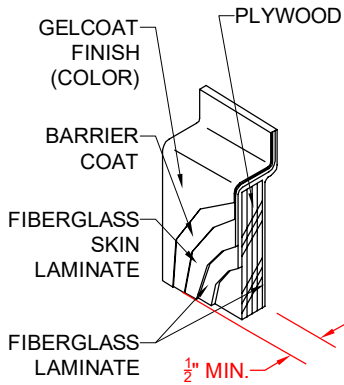
SECTION A-A - SCALE: 3" = 1'-0"

□ LB3S26337W2B L/R

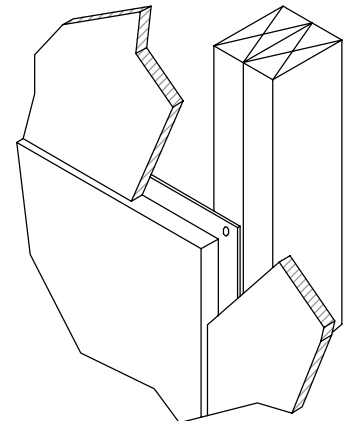


SECTION A-A - SCALE: 3" = 1'-0"

**\*\*OTHER THRESHOLD HEIGHTS AVAILABLE UPON REQUEST\*\***



DETAIL CS - SCALE: N.T.S.  
CROSS SECTION DETAIL



DETAIL DD - SCALE: N.T.S.  
DRYWALL DETAIL