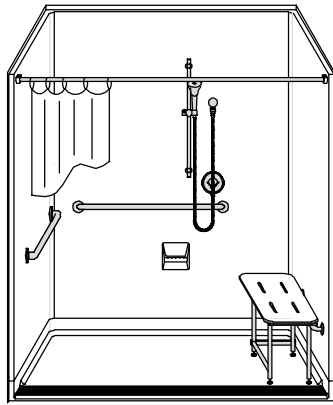


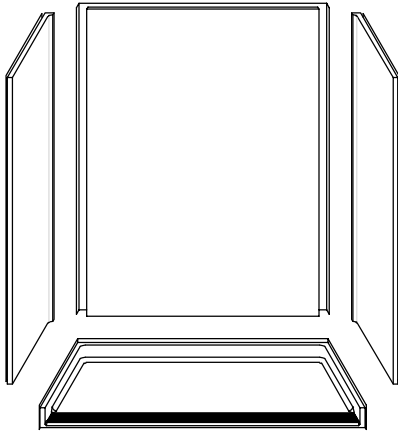
MODEL: 4LSS26337A75FTB.V3*



SEE OVER

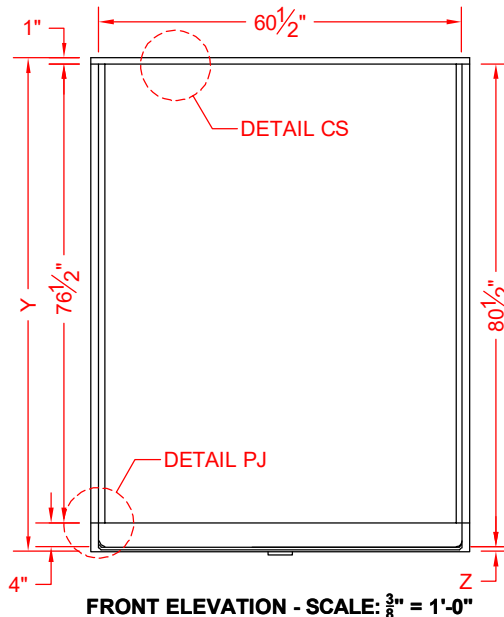
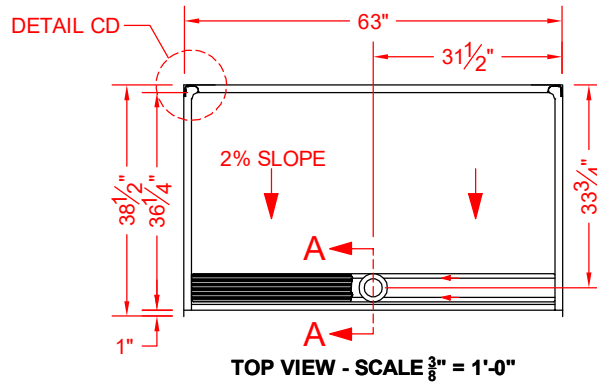


PERSPECTIVE VIEW - N.T.S.
MODEL SHOWN HERE AS:
RIGHT PLUMBING
RIGHT SEAT



ASSEMBLY VIEW - N.T.S.

*ALL ACCESSORIES OPTIONAL



Features:

- ADA compliant, multi-piece roll-in shower with trench drain and stainless steel grate
- Molded, four-piece gelcoat/fiberglass shower module
- "Smooth" wall finish, white (standard)
- Integral full plywood backing for strength and unlimited accessory placement
- Available in various threshold heights
- On all threshold heights 1-1/4" or shorter, no mud set is required and an anchoring adhesive kit is supplied
- On all threshold heights 1-1/2" or taller, no mud set is required

*OTHER THRESHOLD HEIGHTS AVAILABLE UPON REQUEST

MODEL #	UNIT THRESHOLD HEIGHT	
	Y	Z*
4LSS26337A75FTB.V3	82-1/4"	3/4" MIN
4LSS26337A2FTB.V3	83-1/2"	2" MAX

* - SEE BACK FOR DETAIL SECTIONS

PRODUCT SPECIFICATIONS:

- Multi-piece shower module shall be constructed of gelcoat/fiberglass with full integral plywood backing and have a stainless steel trench drain grate.
- Rough-In: Stud opening +1/4" / -0" nominal dimensions.

C.S.I. FORMAT SPECIFICATION TEXT AVAILABLE

PRODUCT INFORMATION:

- Accessories: Polished chrome/satin stainless standard, others available.
- Colors: White as standard, others to match any major fixture manufacturer, also available with sprayable solid surface in many colors
- Custom curb heights, other than shown, are available (between min. and max.)

OPTIONAL ACCESSORIES:

INSTALLED BY OTHERS:

- Seat, folding
- Grab bar
- Soap dish
- Mixing valve, pressure-balancing, lever handle, pre-plumbed tee to supply elbow
- Curtain rod brackets
- Curtain and rod
- Flange-Window trim kits
- Trench grate and No-caulk brass drain (INCLUDED)

CODES:

- Designed and manufactured in compliance with the following standards and codes:
- ANSI Z124.2 Standards for Plastic Showers
 - ADA Accessibility Guidelines for Buildings and Facilities
 - ANSI A117.1 A - Accessible and Usable Buildings and Facilities
 - ANSI A117.1 B - Accessible and Usable Buildings and Facilities
 - IPC International Plumbing Code
 - UPC Uniform Plumbing Code

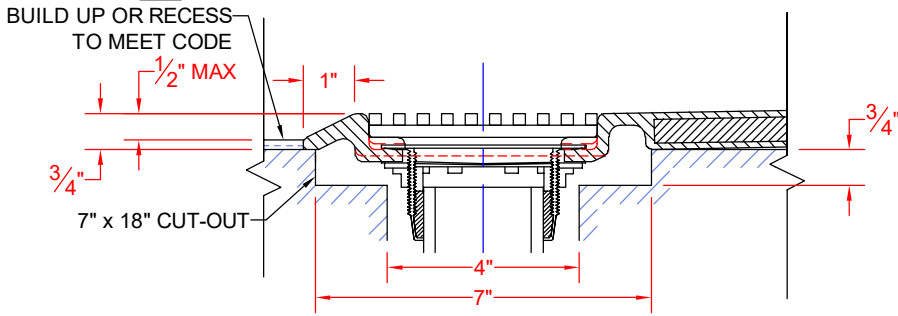
NOTICE OF LIMITATION:

- Recess as needed for trench; see page 2
- Recess as needed to meet code
- Adhere to floor as required

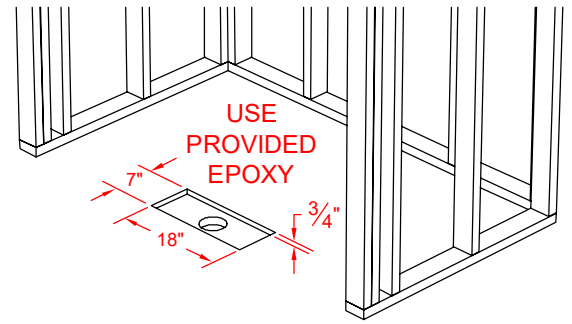


We reserve the right to make revisions without notice in the design of fixtures or in packaging unless this right has specifically been waived at the time the order is accepted.

4LSS26337A75FTB.V3

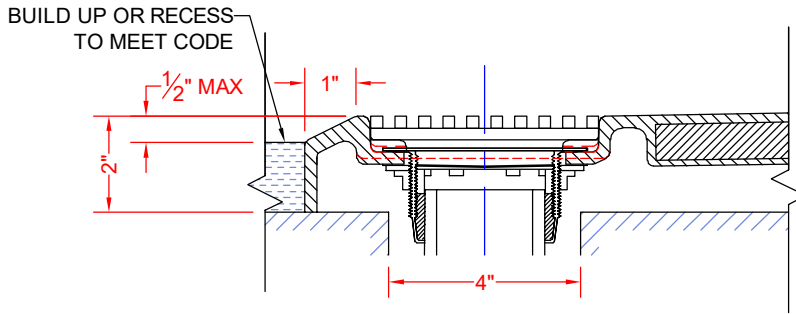


SECTION A-A - SCALE: 3" = 1'-0"

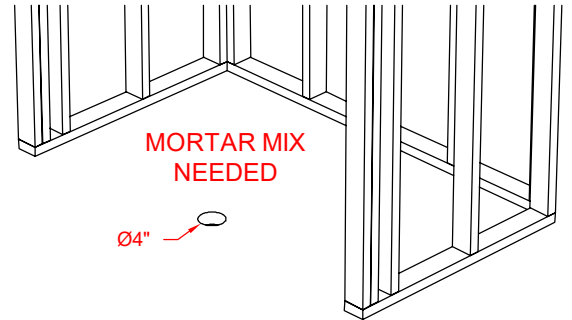


FOR MODELS ENDING IN A75FT*.V3,
INSTALLATION REQUIRES A 7" x 18" x 3/4" CUT-OUT.

4LSS26337A2FTB.V3

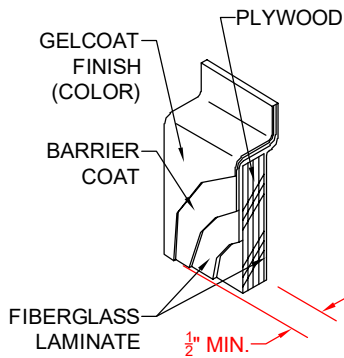


SECTION A-A - SCALE: 3" = 1'-0"

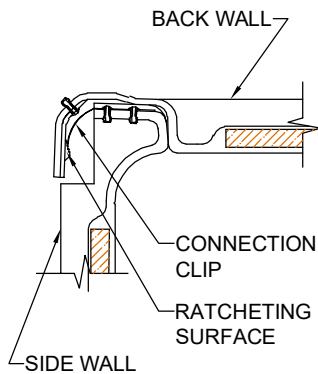


FOR MODELS ENDING IN A15FT*.V3, A17FT*.V3, OR A2FT*.V3,
INSTALLATION REQUIRES A 4" DRAIN HOLE.

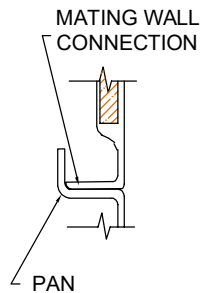
****OTHER THRESHOLD HEIGHTS AVAILABLE UPON REQUEST****



DETAIL CS - SCALE: N.T.S.
CROSS SECTION DETAIL



DETAIL CD - SCALE: 3" = 1'-0"
CORNER DETAIL



DETAIL PJ - SCALE: 3" = 1'-0"
PAN JOINT DETAIL