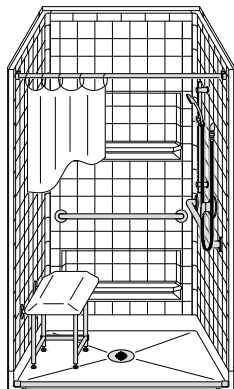


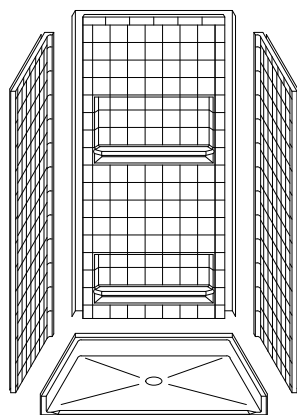
# MODEL: 4LRS4236B5B\*

# BARRIER FREE

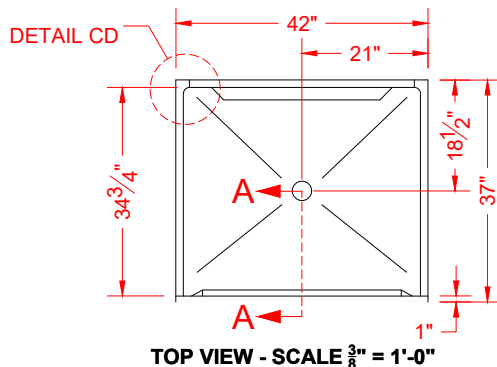
\*ALL ACCESSORIES OPTIONAL



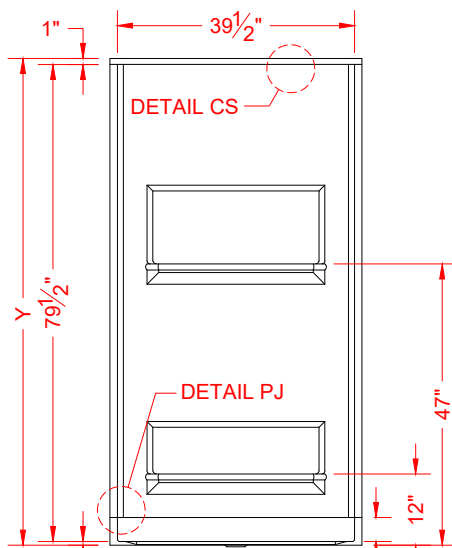
**PERSPECTIVE VIEW - N.T.S.**  
**MODEL SHOWN HERE AS:**  
 RIGHT PLUMBING  
 LEFT SEAT



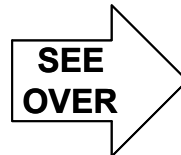
**ASSEMBLY VIEW - N.T.S.**



**TOP VIEW - SCALE  $\frac{3}{8}'' = 1'-0''$**



**FRONT ELEVATION - SCALE:  $\frac{3}{8}'' = 1'-0''$**



## Features:

- Molded, four-piece gelcoat/fiberglass shower module
- "RealTile" wall finish, white (standard)
- Integral full wood backing for strength and unlimited accessory placement
- Available in various threshold heights
- On all threshold heights 1-1/2" or taller, no mud set is required
- On all threshold heights 1-1/4" or shorter, no mud set is required, but an adhesive kit is supplied

## \*OTHER THRESHOLD HEIGHTS AVAILABLE UPON REQUEST

MODEL #	UNIT THRESHOLD HEIGHT	
	Y	Z*
4LRS4236B5B	81-1/8"	5/8" MIN.
4LRS4236B2B	82-1/2"	2" MAX.

\* - SEE BACK FOR DETAIL SECTIONS

## PRODUCT SPECIFICATIONS:

- Multi-piece shower module shall be constructed of gelcoat/fiberglass with full integral plywood backing
- Rough-In: Stud opening +1/4" -0" Nominal Dimensions.

C.S.I. FORMAT SPECIFICATION TEXT AVAILABLE

### PRODUCT INFORMATION:

- Accessories: Factory installed, unless prone to damage during installation/shipping. Polished chrome/satin stainless standard, others available.
- Colors: White as standard, others to match any major fixture manufacturer, also available with sprayable solid surface in many colors
- Custom curb heights, other than shown, are available (between min. and max.)

### OPTIONAL ACCESSORIES:

- INSTALLED BY OTHERS:
- Seat, folding
  - Grab bar
  - Soap dish
  - Mixing valve, pressure-balancing, lever handle, pre-plumbed tee to supply elbow
  - Curtain rod brackets
  - Curtain and rod
  - T-shaped WaterStopper kit
  - Semi-permanent threshold adapter
  - No-caulk brass drain

### CODES:

Designed and manufactured in compliance with the following standards and codes:  
 -ANSI Z124.2 Standards for Plastic Showers  
 -UPC / IPC compliant when in accordance with Section 408.5 (UPC, 2021)

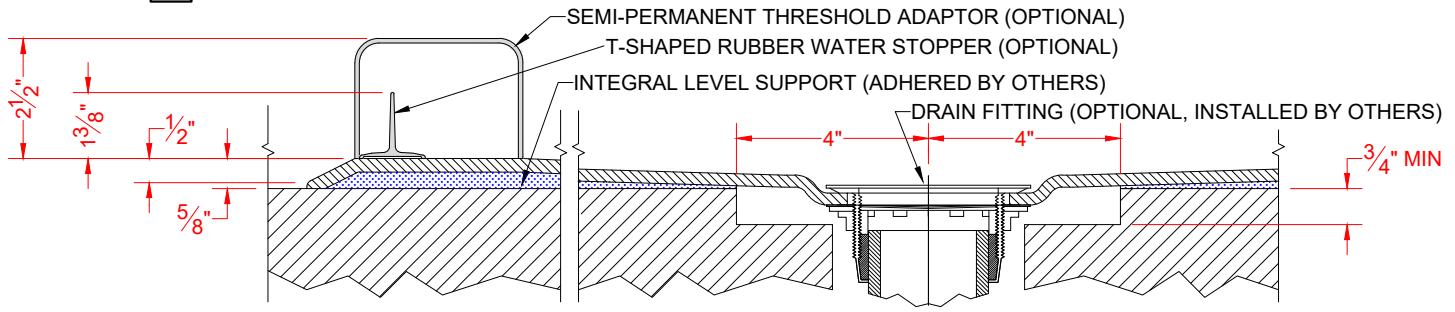
### NOTICE OF LIMITATION:

-Adhere to floor as required



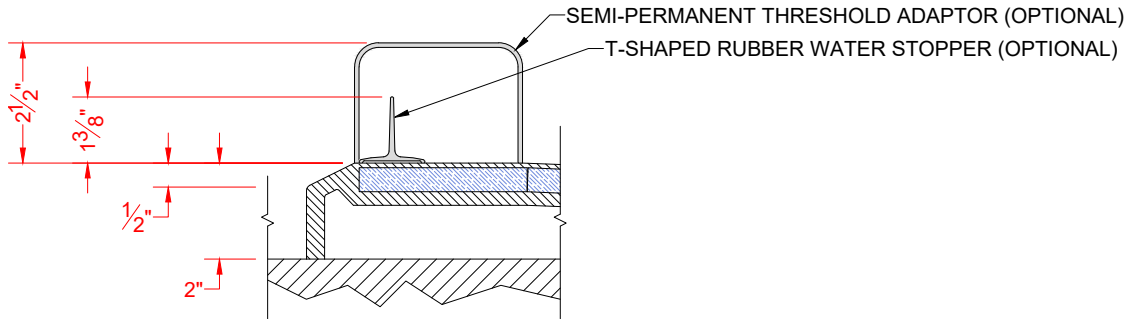
*We reserve the right to make revisions without notice in the design of fixtures or in packaging unless this right has specifically been waived at the time the order is accepted.*

□ 4LRS4236B5B



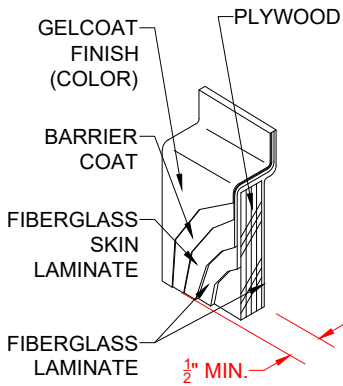
SECTION A-A - SCALE: 3" = 1'-0"

□ 4LRS4236B2B

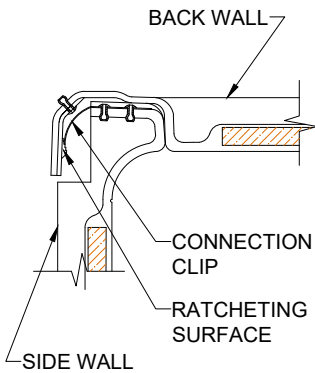


SECTION A-A - SCALE: 3" = 1'-0"

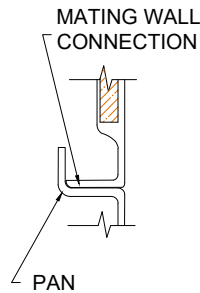
**\*\*OTHER THRESHOLD HEIGHTS AVAILABLE UPON REQUEST\*\***



DETAIL CS - SCALE: N.T.S.  
 CROSS SECTION DETAIL



DETAIL CD - SCALE: 3" = 1'-0"  
 CORNER DETAIL



DETAIL PJ - SCALE: 3" = 1'-0"  
 PAN JOINT DETAIL