



EZAP5050 BF 1.0

OD: 50.5" x 50.125" x 4.25"

Threshold: 1" Beveled Change of Level*

Handed By: Center Drain

Weight: 126 LBS

Load Factor: .44

* Change of Level Threshold has a manageable 1/4" vertical rise to easily coordinate with minimum finished flooring.

Additional Information
Listed On
Page 2

SHOWER BASE - BARRIER FREE

APPLICATIONS

Residential Home Modifications
& Commercial Facility Renovations

SHOWER FEATURES

White Premium Marine-Grade Gelcoat

Grip Sure Floor

Self-Supporting & Pre-Levelled Base

Thirty Year Warranty

In Stock for Rapid Delivery

CODE COMPLIANCE

IPC, UPC, ANSI Z 124.2, NAHB,
HUD, FHA

SAFETY FEATURES

Barrier Free

VA Compliant Slip Resistance

CONTRACTOR FRIENDLY FEATURES

Compact, Durable Caron Packaging
For Easy Handling

Easy Base Requires no Mudset

Perfect Compliment for
Tile Applications



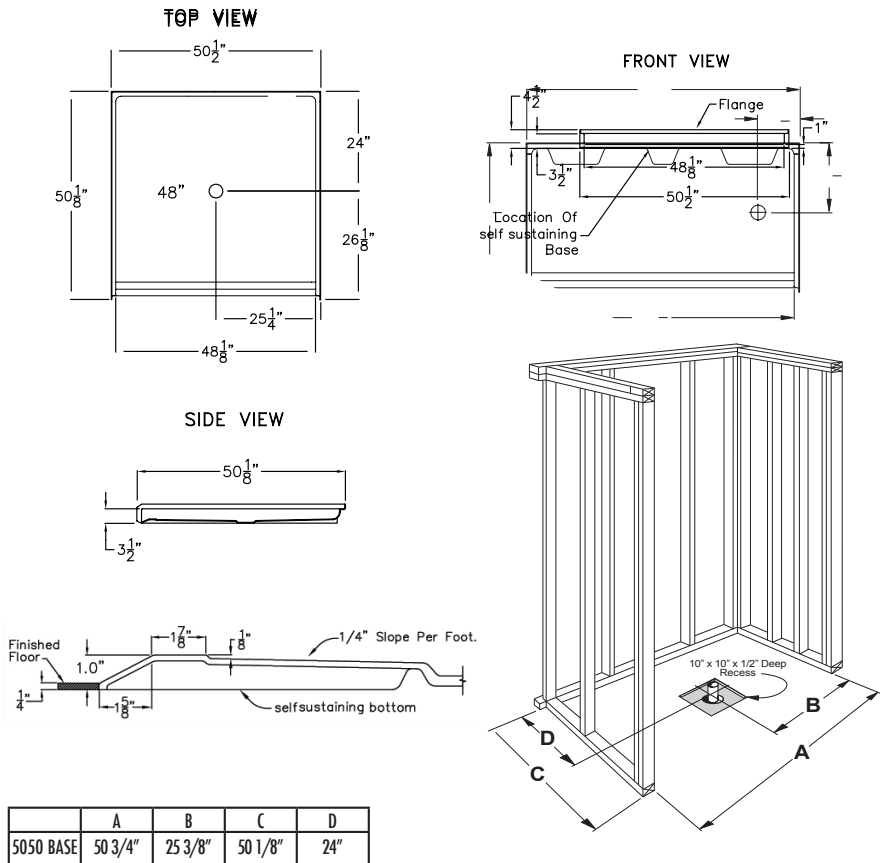
EZAP5050 BF 1.0

OD: 50.5" x 50.125" x 4.25"

Threshold: 1.0" Change of Level*

Handed By: Center Drain

* Change of Level Threshold has a manageable 1/4" vertical rise to easily coordinate with minimum finished flooring.



DUE TO THE NATURE OF THE MATERIALS INVOLVED UNIT DIMENSIONS MAY VARY ± 1/2 INCH

PACKAGING DETAILS



- Compact, Durable Carton Packaging for Easy Handling
- Ships LTL Truck in four business days for orders of two or less.
- For orders of two or more, call customerservice for lead times.
- Accessories are shipped loose for field installation.

AVAILABLE
PACKAGE ACCESSORIES
SHIPPED LOOSE

SHOWER SEATS

GRAB BARS

SHOWER HEADS

ADDITIONAL ACCESSORIES

Anti-Scald VALVE

Hand Shower Slide

Weighted Shower Curtain

Collapsible Dam

Caulkless Drain - Stainless Steel

Curtain Rods

AND MANY MORE.

Browse online:

EZABLE.COM



CUSTOMER SERVICE

877.392.2531

1420 Trade Centre Dr.
Traverse City, MI 49696

www.ezable.com