

**SLSWP32, SLSWP40,
SLSWP48, SLSWP56,
SLSWP64, SLSWP72,
SLSWP-ADA**

SHOWERLINE[®] drain

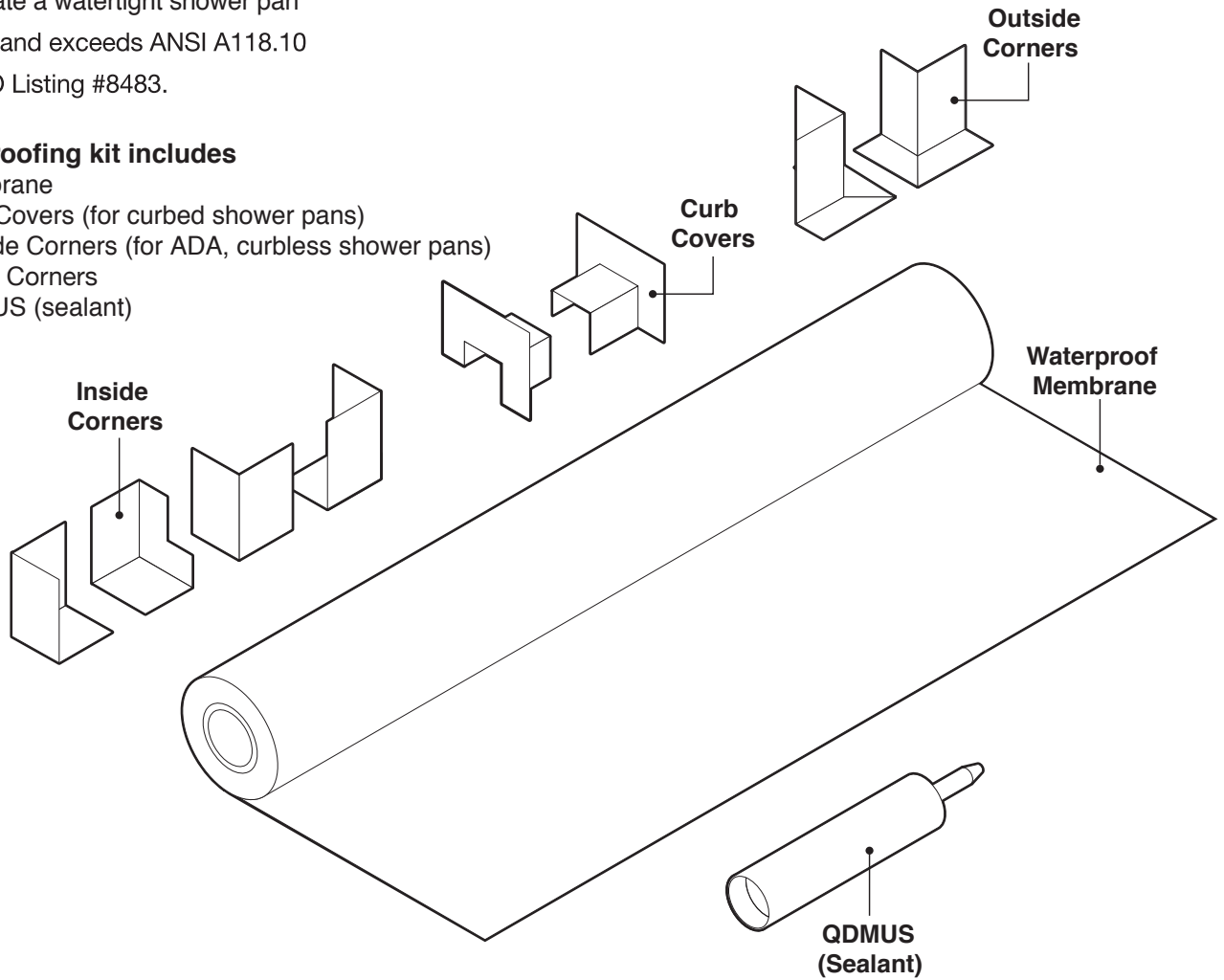
by **QUICKDRAIN USA**

Features

- Waterproofing pan liner membrane and accessories used to create a watertight shower pan
- Meets and exceeds ANSI A118.10
- IARMO Listing #8483.

Waterproofing kit includes

- Membrane
- Curb Covers (for curbed shower pans)
- Outside Corners (for ADA, curbless shower pans)
- Inside Corners
- QDMUS (sealant)



Kit Number	Waterproof Membrane	Curb Covers	Outside Corners	Inside Corners	QDMUS
SLSWP32	48" x 78"	2	–	4	1
SLSWP40	56" x 78"	2	–	4	1
SLSWP48	64" x 78"	2	–	4	1
SLSWP56	72" x 78"	2	–	4	1
SLSWP64	80" x 78"	2	–	4	1
SLSWP72	88" x 78"	2	–	4	1
SLSWP-ADA	60" x 78"	–	2	2	1

