

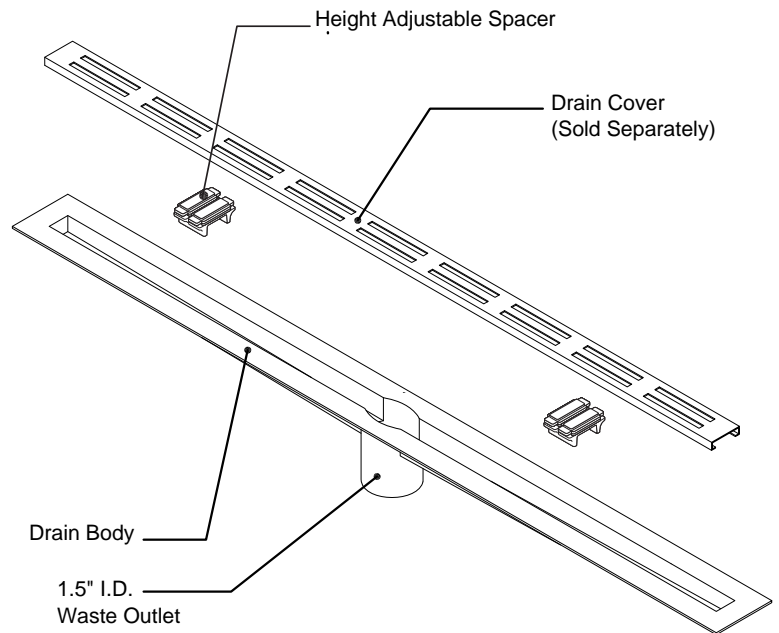
Features

- Sink Drain
- 18 Gauge 316L Stainless Steel
- Key feature of the drain body is a fully-sloped trough that prevents standing water and solids being deposited into the trough
- 1.5" I.D. schedule 10 stainless steel waste outlet
- NOT SUITABLE AS A FLOOR DRAIN
- Length adjustability of drain trough with use of trough extensions.
- Height adjustability of drain cover with use of spacers for different thicknesses of finished material from 3/8" to 3/4". Custom spacers are available for finished material thicknesses from 1"-2 1/2"
- QuickDrain USA recommends the drain cover extend the entire length of the sink

Item Code	Height Adjustable Spacers	Cover Length
PLD18S1	2	COVER18

Drain Body Includes

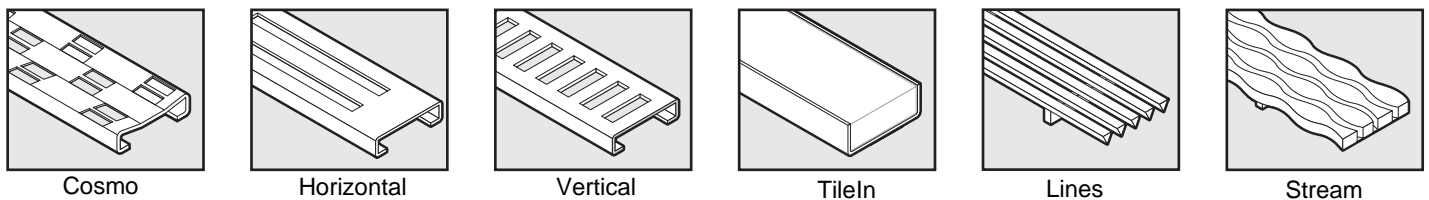
- Height Adjustable Spacers (2)

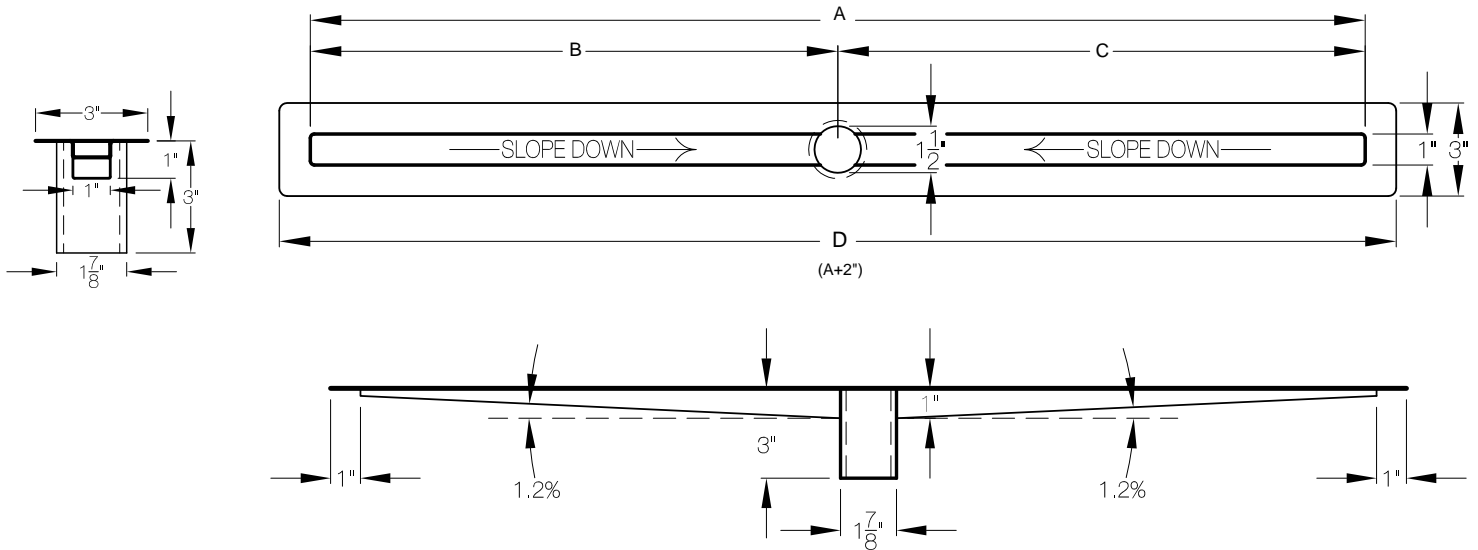


ProLine Sink Drain Assembly

Required Part (not included) – Drain Cover

- Available in the designs below and in this length – 18"





Item Code	A	B	C	D (A+2)
PLD18S1	18	9	9	20

Installation Notes

- Install product according to the Typical ProLine Drain Installation details
- Drain body cannot be cut to size or modified on site

