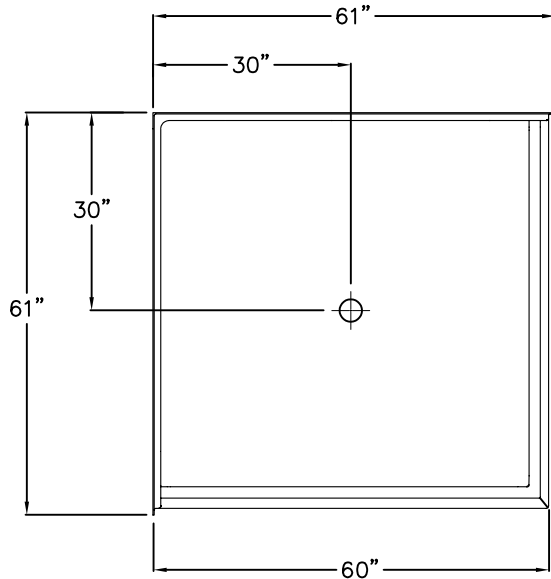
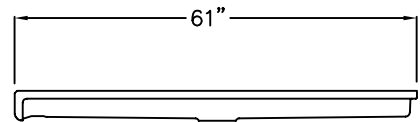


**EZ Able®**  
SUBMITTAL DATA

TOP VIEW



SIDE VIEW



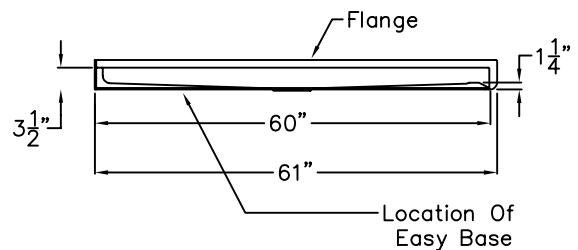
**Barrier Free Shower Pan**

The shower pan shall be EZAP6060 BF DE PAN 1.25, center drain. Finished surface shall be of a sanitary-grade polyester Gelcoat exhibiting a minimal thickness of 15 dry mils, and a finished cured Barcol hardness of 80-90 as tested with ASTM D-2583. Unit construction shall be of molded reinforced fiberglass with a minimum fiberglass content. The unit shall have outside dimensions of 60" x 61" x 4 1/2". The one piece pan shall meet ANSI Z124.2, NAHB, UPC, and shall meet the requirements of Southern Building Code.

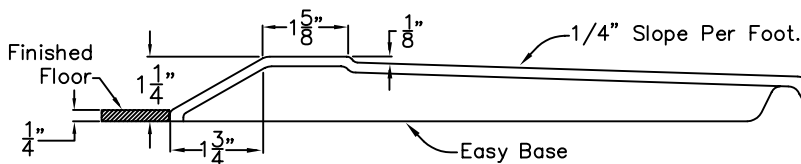
The enclosure shall be equipped with the following installed accessories:

- 1) Low double entry 1 1/4" threshold,
- 2) Factory installed Easy Base self sustaining bottom.

FRONT VIEW



**Detail of 1 1/4" Threshold**



DUE TO THE NATURE OF THE MATERIALS INVOLVED  
UNIT DIMENSIONS MAY VARY ± 1/2 INCH

Job Name:		EZ Able®	
Model No.:		Drawing# EZAP6060 BF DE 1.25 PAN	
Approved by:	Date Approved:	Date: 3-31-09	Revised: 12-20-10
Rep.:	Wholesaler:	Quote No.	