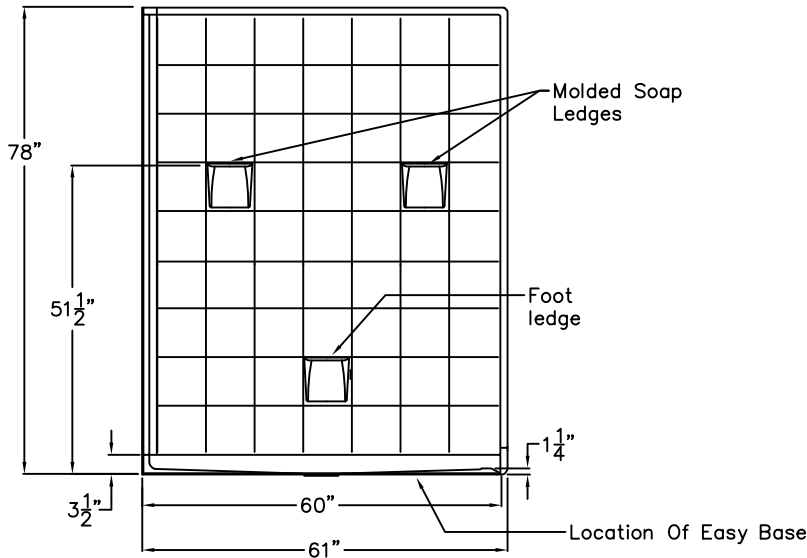
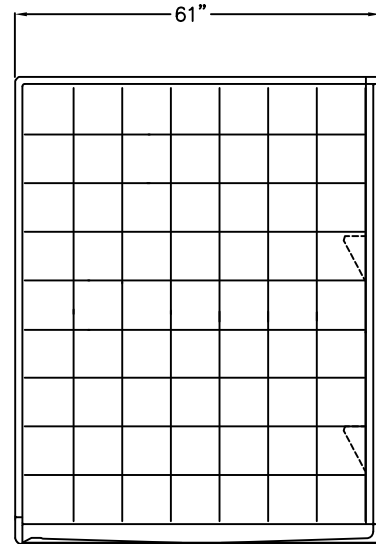


# EZ Able® SUBMITTAL DATA

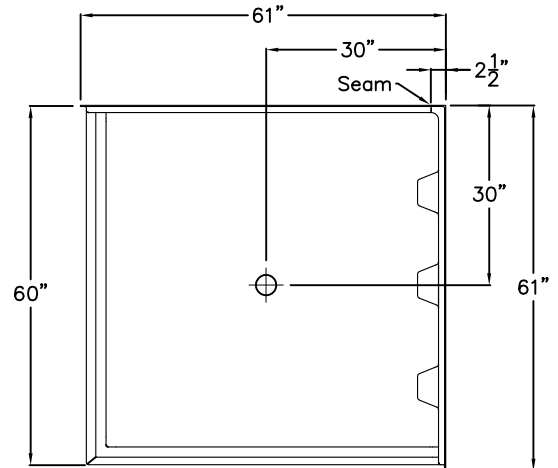
WALL WITH SOAP DISHES



FLAT WALL



TOP VIEW



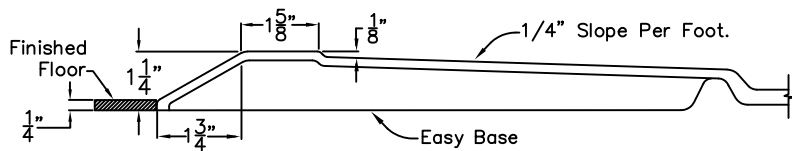
### Sectional Shower Stall

The shower enclosure shall be EZA6060 BF DE 3P 1.25, center drain. Finished surface shall be of a sanitary-grade polyester Gelcoat exhibiting a minimal thickness of 15 dry mils, and a finished cured Barcol hardness of 80-90 as tested with ASTM D-2583. Unit construction shall be of molded reinforced fiberglass with a 15% minimum fiberglass content. The unit shall have outside dimensions of 61" x 61" x 78". The three piece unit shall meet ANSI Z124.2, NAHB, UPC, and shall meet the requirements of Southern Building Code, and complies with CSA. Unit is designed as a corner unit, with two walls and a base with entry threshold on two sides.

The enclosure shall be equipped with the following installed accessories:

- 1) 1/2" thick oriented strand board full wood backing on the back wall,
- 2) 1/2" thick oriented strand board full wood backing on the side wall,
- 3) two molded soap dishes, 4) one lower leg ledge centered on back wall,
- 5) tile finish, 6) three piece corner design, 7) 1 1/4" Threshold, 8) Factory installed Easy Base self sustaining bottom.

### Detail of 1 1/4" Threshold



DUE TO THE NATURE OF THE MATERIALS INVOLVED  
UNIT DIMENSIONS MAY VARY ± 1/2 INCH

**EZ Able®**

Drawing#: EZA6060 BF DE 3P 1.25 FWB

Model No.:

Approved by:

Date Approved:

Date: 3-31-09

Revised: 12-9-10

Rep.:

Wholesaler:

Quote No.

Recyclable Paper