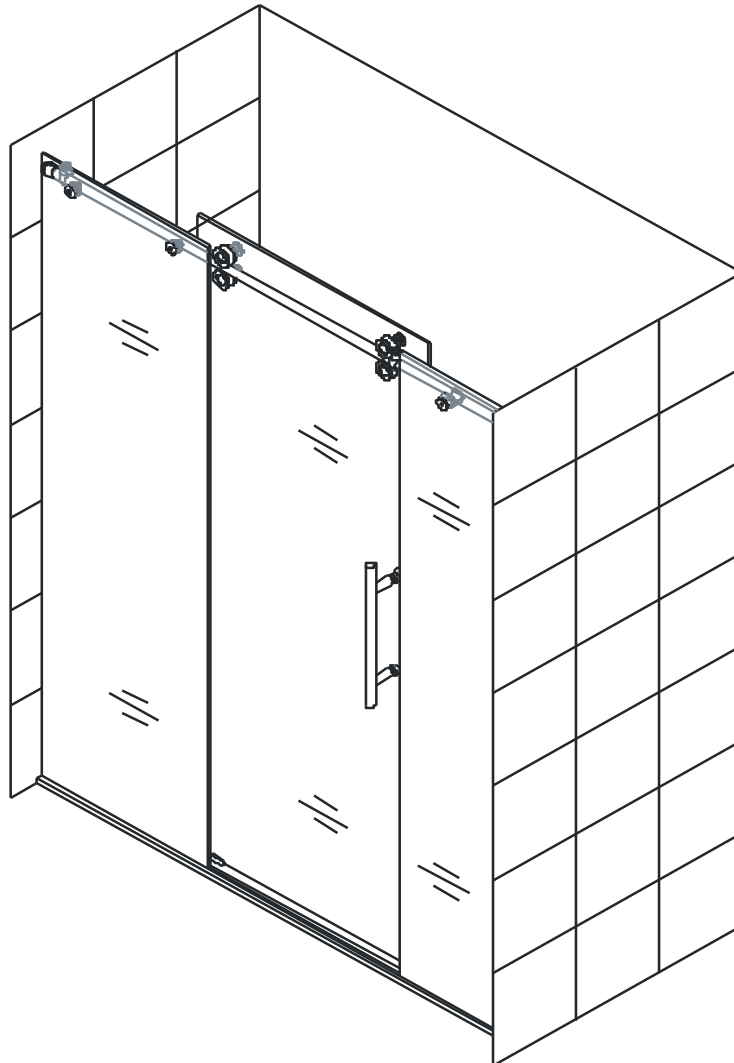




ENIGMA - 2 Shower Door Installation Instruction

IMPORTANT

Please read carefully the following instructions before installing your shower door. If you have any questions regarding shower door installation, please call our technical support specialists Monday through Friday, 9:00AM – 5:00PM EST at 1-866-731-8378 ext. 3 or e-mail our technical support group at support@BathAuthority.com



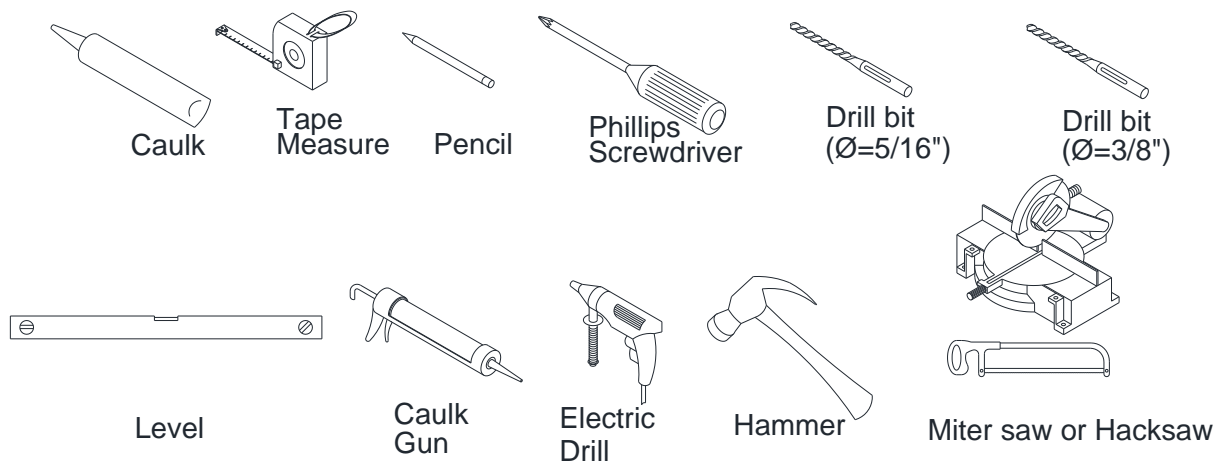
Bath Authority™ reserves the right to alter, modify or redesign products at any time without prior notice. For the latest up-to-date technical drawings, manuals or any other details please refer to the BathAuthority.com web page.

Attention: This door is extremely heavy and requires professional installation.

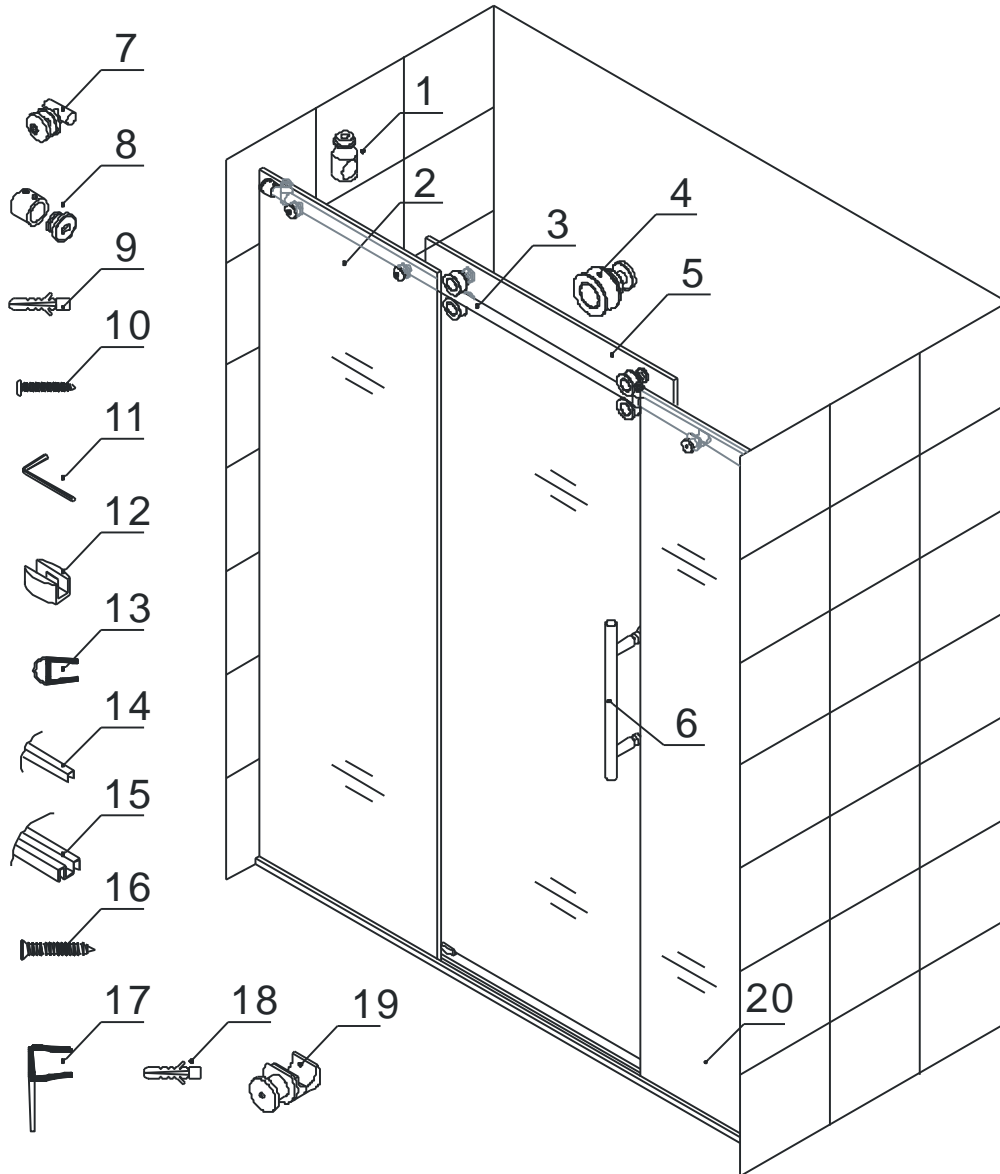
Preparation

1. After opening all boxes and packages, read this introduction carefully. Check that all of the needed parts are included in the package, by marking all the components on the “Detailed Diagram of Shower Door Components”. Examine boxes and packages for shipping damage. If the unit has been damaged, has a finishing defect, or has missing parts, please contact our customer support department within 3 business days of the delivery date. Please note that **DreamLine™ will not replace any damaged products or missing parts free of charge after 3 business days or if the product has been installed.** Feel free to contact DreamLine™ if you have any questions.
2. If this unit is going to be installed in a new construction, please, install all of the required plumbing and drainage before installing the shower. **Use a competent and licensed (if required by local code) plumber for all plumbing installation**
3. **Please note that you should consult your local building codes on questions on installation compliance standards. Building and plumbing codes vary by location, and DreamLine is not responsible for code compliance standards for your project.**
4. Please insure that prior to the installation the tub is leveled and solid and will be able to support the total weight of the unit. Also make sure the walls are at right angles. While some adjustment in leveling of the door is possible, irregular tub level or improper angle of side walls will result in serious problems for your installation. Please, note that some adjustments and drilling might be necessary during the installation process.
5. This unit has to be installed against a finished floor and walls.
6. **Please, NOTE! This door does not have out-of-plumb adjustment. Make sure your walls are at right angles.**
7. **This door requires 3^{1/2}” wide threshold or installation space.**
8. **Please note that Step 7 calls for installation of the door to the wall using anchors. However, the manufacturer strongly recommends installing these heavy doors to the studs or to preinstalled 2x6 wood reinforcement behind the wall and attaching the Wall brackets to it.**

Tools Required



Detailed Diagram of the Shower Door Components



Packing List

01	Door Stopper	2pcs	11	Hex wrench 3mm, 4mm, 5mm	1 set
02	Stationary glass	1pc	12	Guide block	1pc
03	Guide rail	1pc	13	Bumper strip	1pc
04	Roller	4pcs	14	Threshold cover	1pc
05	Glass door	1pc	15	Threshold	1pc
06	Handle	1pc	16	Countersunk screw ST4.2×30	6pcs
07	Glass bracket	2pcs	17	Anti-water strip	3pcs
08	Guide rail bracket	2pcs	18	Small anchor Ø 5/16"	6pcs
09	Large anchor Ø 3/8"	2pcs	19	Small stationary glass bracket	1pc
10	Round head screw ST6×45	2pcs	20	Small stationary glass	1pc

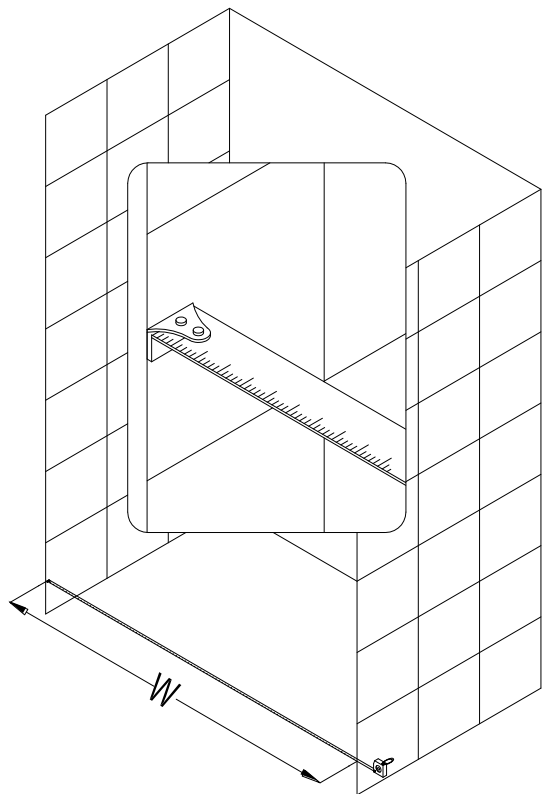
NOTE: Unpack your unit carefully and inspect it. Lay it out and identify all parts using the detailed diagram and packing list in your manual as a reference. Before discarding the carton, check for small hardware bags that tend to fall to the bottom of the box. If any parts are damaged or missing, please contact DreamLine™ for replacement.

Shower Door Installation

1. Measure the distance between two finished walls.

This distance is marked as “W”.

See Fig. 1 for details.



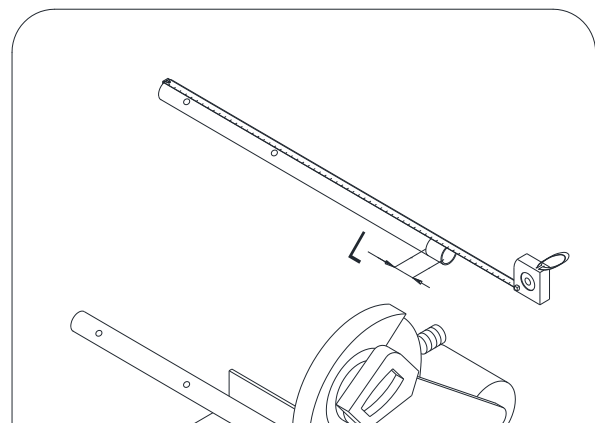
2. Your **Guide rail (03)** has been precut for the installation between the walls with a distance of **72”**.

If $W=72$ ”, then it is unnecessary to cut the **Guide rail** and you can continue to Step #3.

If $W<72$ ”, then you will need to cut the **Guide rail** from the end which is farthest from the **Glass bracket (07)** holes.

The length to cut off will be “L”:

$$L = (72 - W).$$



See Fig. 2 for details.

3. Your **Threshold (15)** has been precut for the installation between the walls with a distance of **72”**.

If $W=72$ ”, then it is not necessary to cut the threshold.

If $W<72$ ”, then you will need to cut the **Threshold** to the size of “W”.

See Fig. 3 for details.

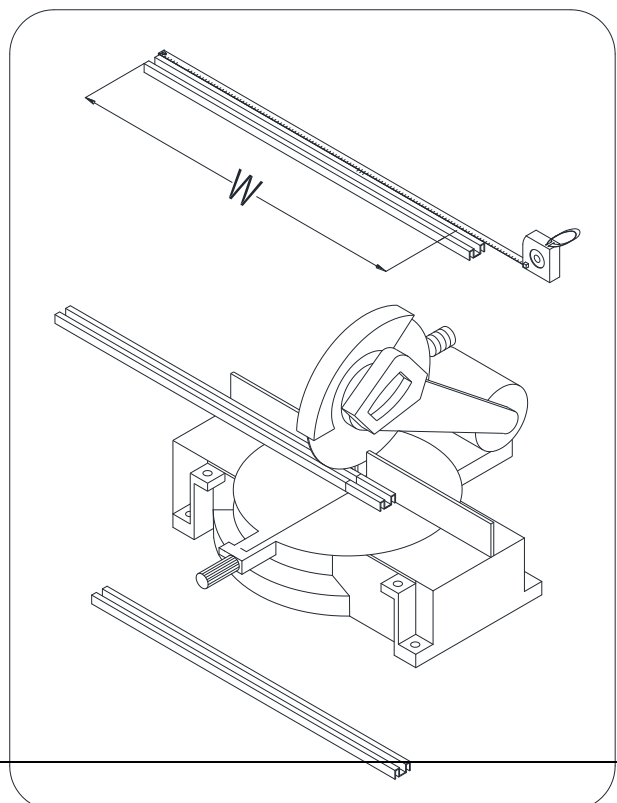
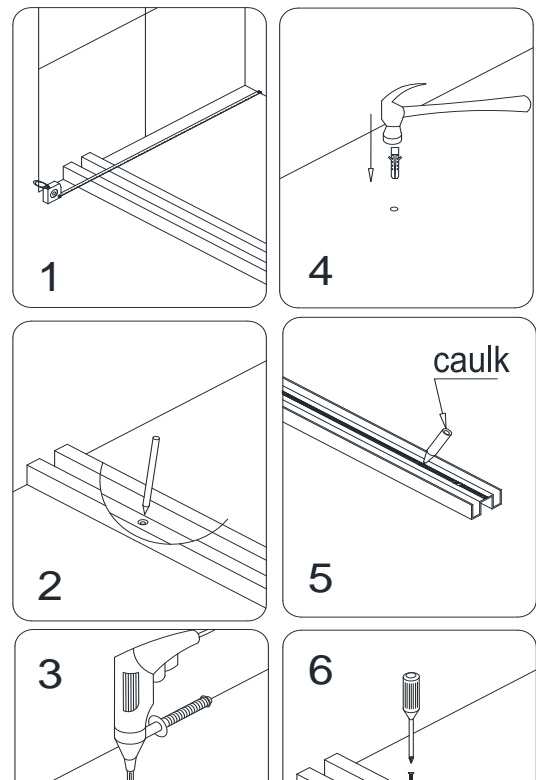


Fig. 3

4. Place the **Threshold (15)** into the designated position and mark the drilling holes on the floor. Remove the **Threshold**, drill the holes in the floor using $\text{Ø } 5/16''$ drill bit and insert the **Small anchors $\text{Ø}5/16''$ (18)**.

Apply silicone on the bottom of the **Threshold** around the holes, place it back to the designated position and fasten it to the floor with the **Countersunk screws ST4.2×30 (16)**.

See Fig. 4 for details.



5. Install the **Guide rail (03)** onto the **Stationary glass (02)** with the **Glass brackets (07)** and tighten the screws. Slide the **Door stoppers (01)** on each end of the **Guide rail** and secure them temporarily. Slide the **Guide Rail brackets (08)** on each end of the **Guide rail** and temporarily secure them as well.

See Fig. 5 and Fig. 6 for details.

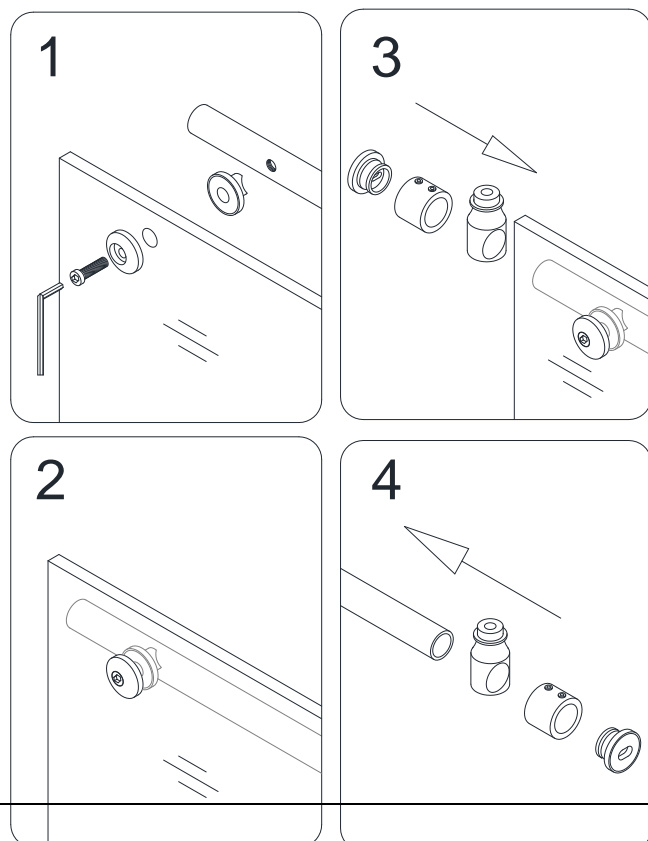
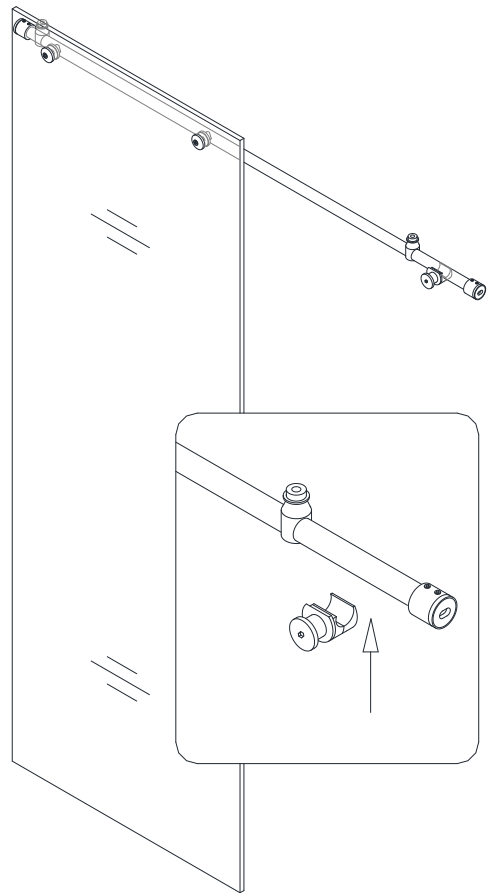


Fig. 5

NOTE:

Before you install the **Stationary glass (02)**, you have to take the **Glass door (05)** into the shower room and lean it against the wall.

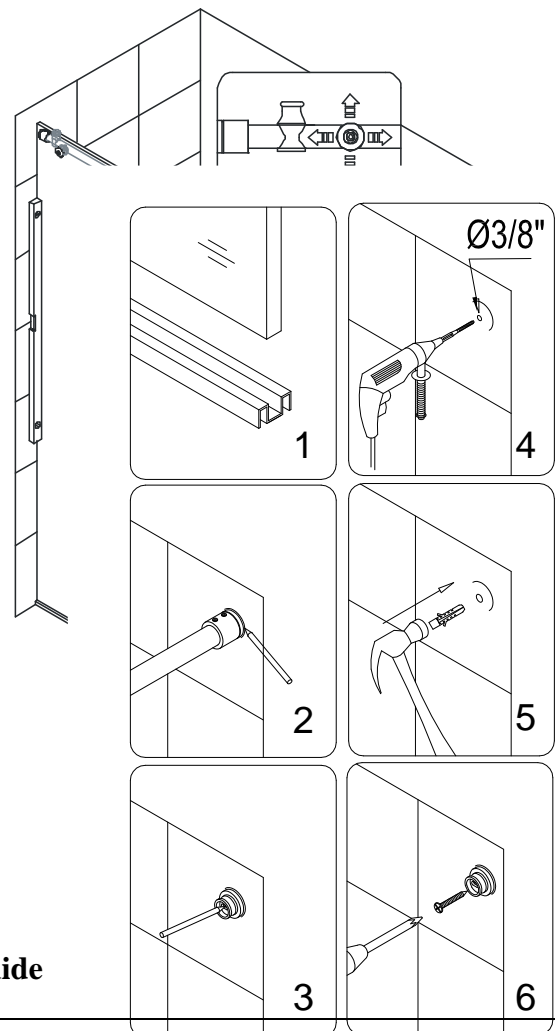


- Place the **Stationary glass (02)** on the threshold and push the bottom edge into the groove of the **Threshold (15)** as shown on Fig. 7 and Fig. 8.1.

Butt up the **Stationary glass** against the wall **(Please note that the Upper Guide rail secured on the Stationary Glass should face inside the shower)**.

Make sure the **Stationary glass** and the **Guide rail** are leveled. If a horizontal adjustment is required, adjust it in the **Glass brackets (07)**.

See Fig. 7 for details.



- Outline the **Guide rail brackets (08)** position.
Put the **Stationary glass (02)** aside.
Remove the **Guide Rail Brackets** from the **Guide**

Rail, place them to the outlined positions on the wall and mark the drilling holes. Drill the holes using $\text{Ø } 3/8''$ drill bit.

Insert the **Large anchors Ø3/8'' (9)** and mount the male part of the **Guide rail brackets** onto the wall using the **Round head screws ST6×45 (10)**.

See fig. 8 for details.

8. Apply a small amount of silicone into the **Threshold (15)** channel.

Place the **Stationary glass (02)** back in position and attach both female parts of the **Guide rail brackets (08)** to their male parts on the walls.

Tighten the set screws on the **Guide rail brackets** to secure the **Guide rail (03)** between two walls.

See Fig. 9 and Fig. 10 for details.

Fig. 8

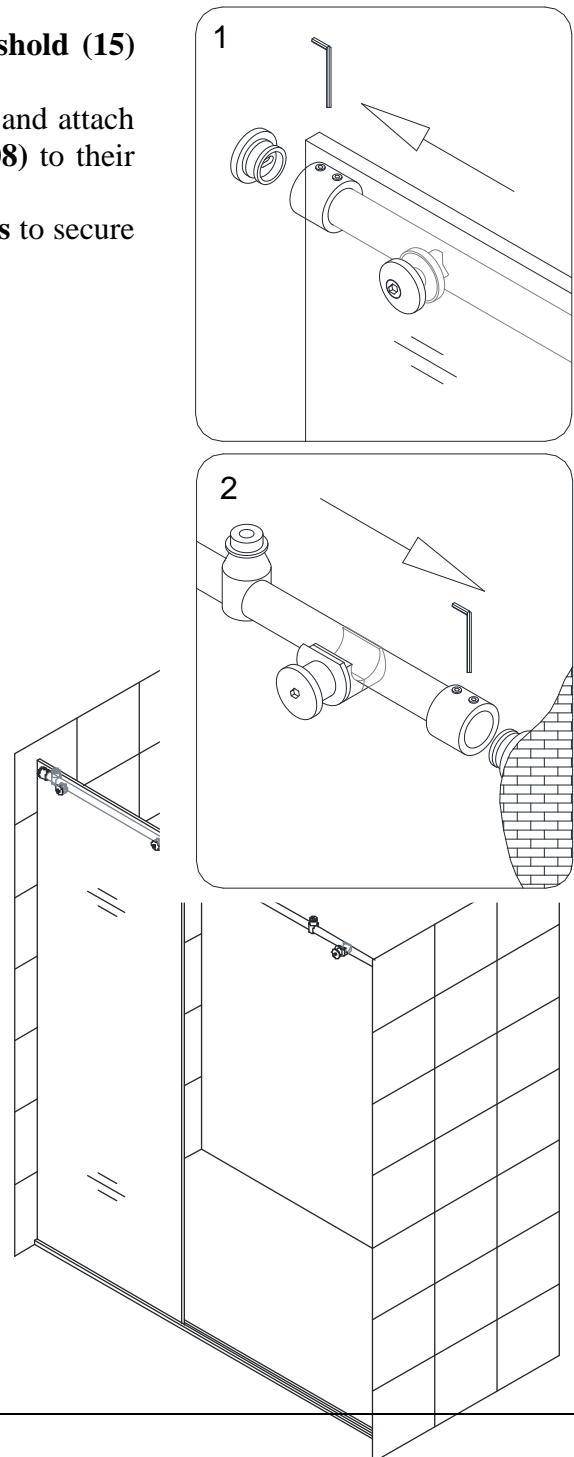


Fig. 10

9. Screw off the female part from the **Small stationary glass bracket (19)**. Slide the **Small stationary glass (20)** into the groove of the **Threshold** and butt it up against the wall. Secure the **Small stationary glass** to the **Small stationary glass bracket**, and fasten the female part of the bracket back to its male part.

See Fig. 11 and Fig. 12 for details.

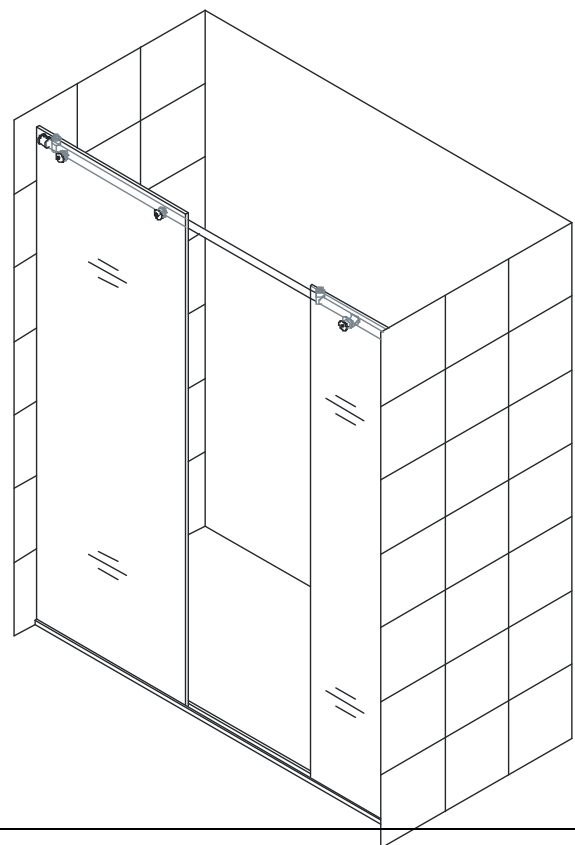
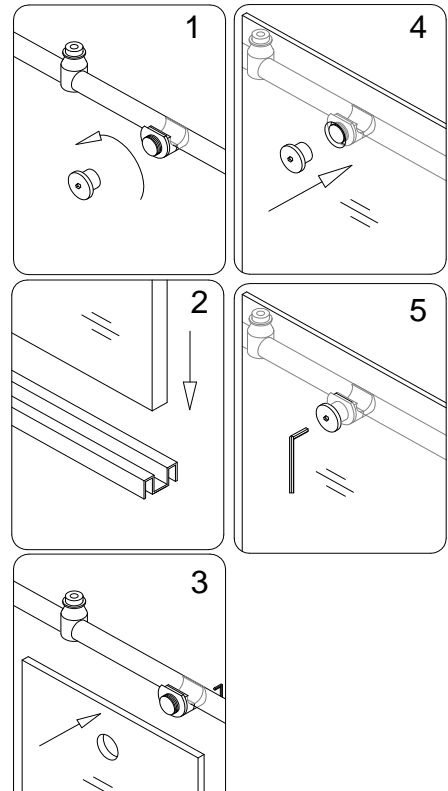


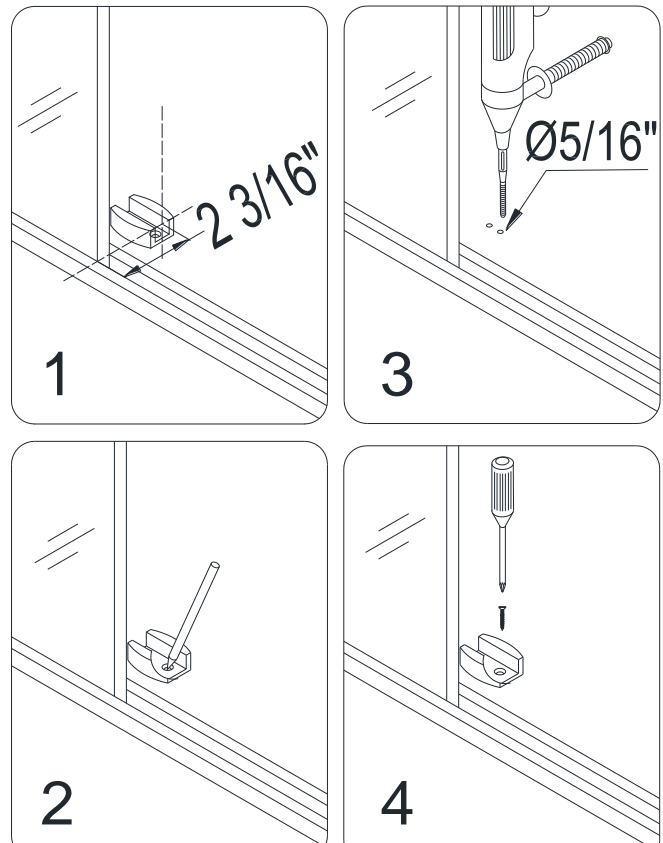
Fig. 12

10. Place the **Guide block (12)** on the floor and parallel it to the **Stationary glass (02)**. It should not pass beyond the vertical edge of the glass.

Take a measurement to ensure the distance between the front line of the glass and the center line of the **Guide block** is $2 \frac{3}{16}$ ".

Hold it firmly and mark the drilling hole on the floor. Remove the **Guide block**, drill the hole in the floor using $\text{Ø } 5/16$ " drill bit, insert the **Small anchor Ø5/16"** in and then fasten the **Guide block** to the floor with the **Countersunk screw ST4.2×30 (16)**.

See Fig. 13 for details.

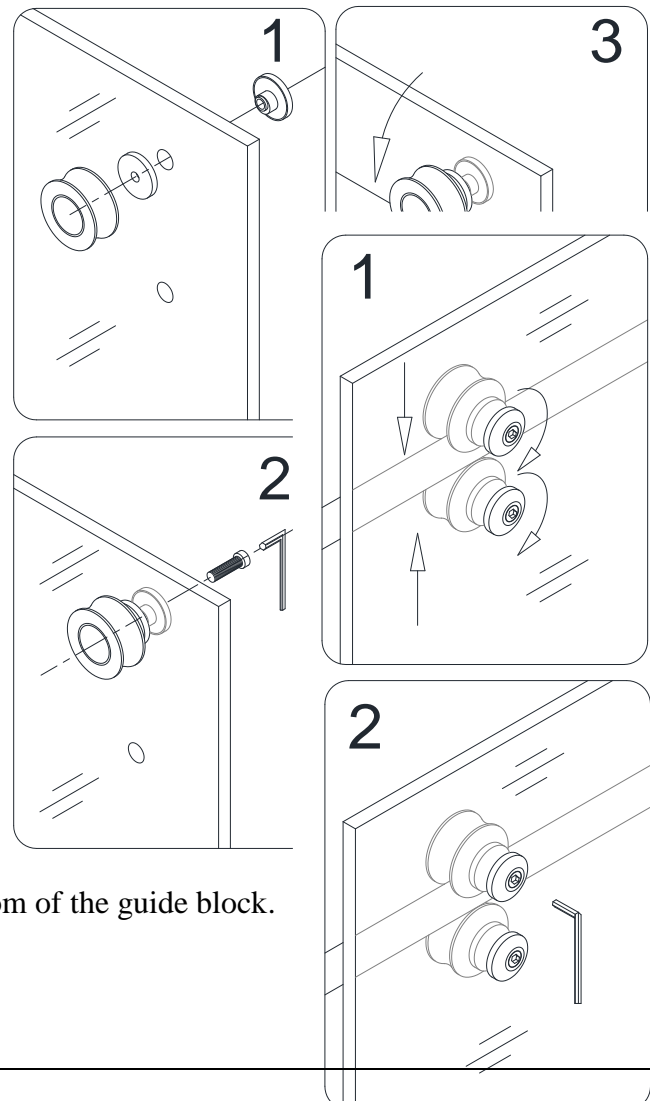


11. Attach two top **Rollers (04)** to the **Glass door (05)**.

Suspend the door by hanging the **Rollers** onto the **Guide rail (03)** and slide the bottom edge of the **Glass door** into the groove of the **Guide block (12)**.

Then mount two lower **Rollers (04)** onto the door to secure the door to the **Guide rail**.

See Fig. 14 for details.



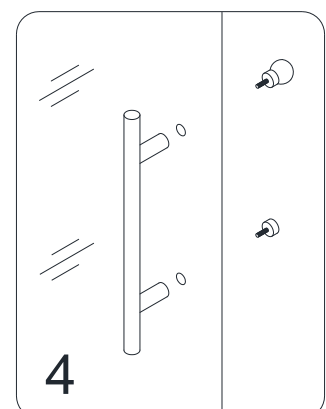
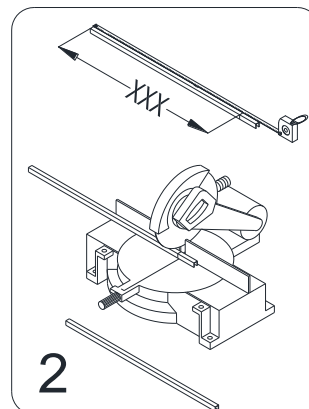
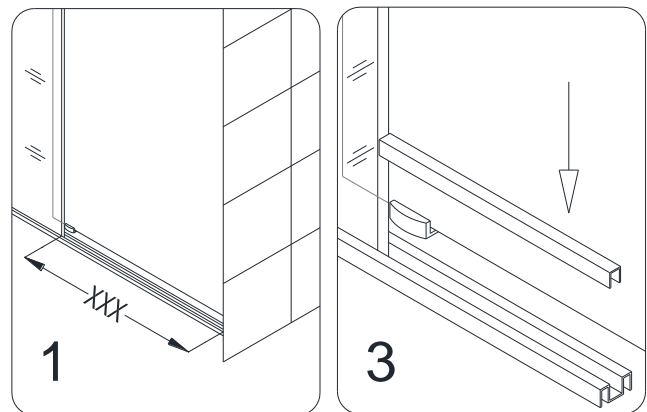
12. Adjust the fasteners on both top **Rollers (04)** to ensure that the bottom edge of the **Glass door (05)** does not touch the bottom of the guide block. Tighten the fasteners.

See Fig. 15 for details.

Fig. 15

13. Refer to Step 3 to cut the **Threshold cover (14)** if it's necessary.
 Push the **Threshold cover** into the **Threshold (15)** groove when the door is in the opened position.
 Install the **Handle (06)** to the **Glass door (05)**.

See Fig. 16 for details.



14. Press the **Bumper strip (13)** on the vertical edge of the **Glass door (05)** and also press the **Anti-water strip (17)** on the vertical edges of the **Stationary glass (02)** and the **Glass door**.

See Fig. 17 for details.

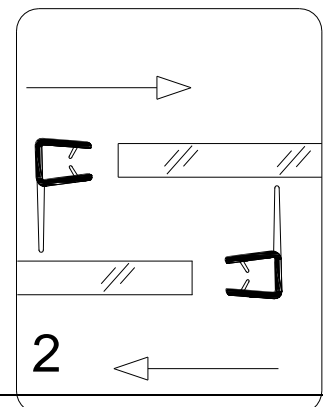
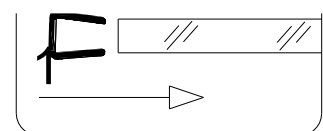
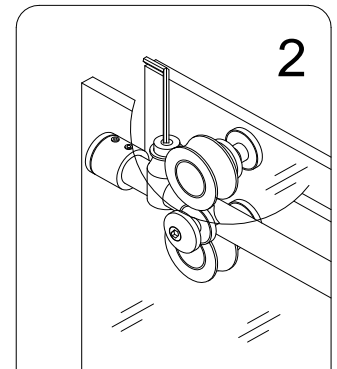
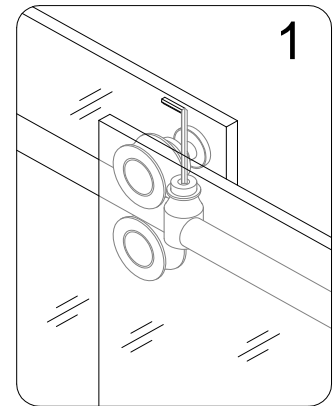


Fig. 17

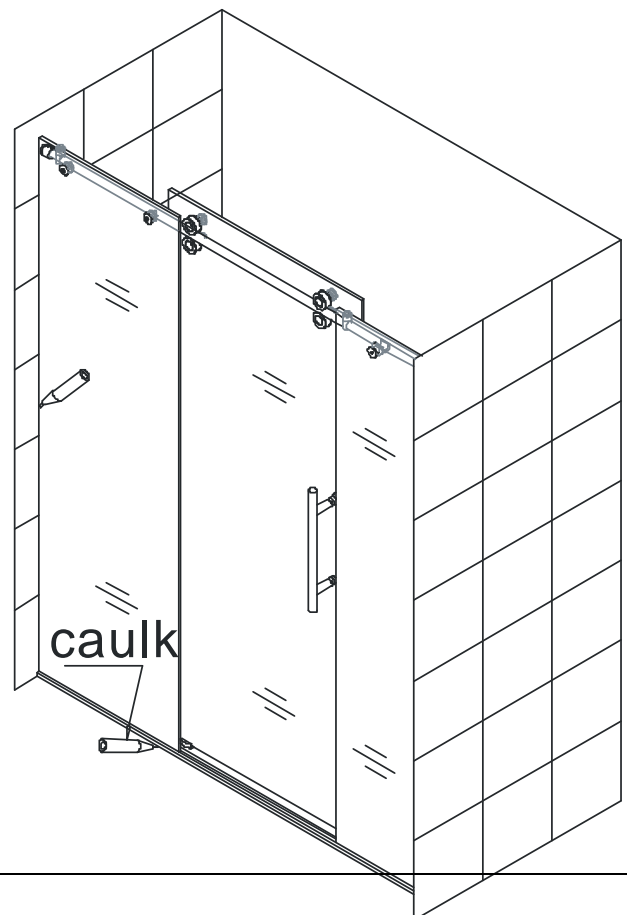
15. Adjust both **Door Stoppers (01)** to ensure that they are positioned upright and the door is in its maximum opening and closing range. Tighten the set screw to fasten them in place.

See Fig. 18 for details.



16. Apply silicone along the connection of the **Stationary glasses** and the wall. You may also apply additional layer of silicone along the **Threshold** (optional).

See fig. 19 for details.



Product Maintenance

To insure long lasting life for your acrylic back walls, wipe them off after each use with a soft cloth. To clean the acrylic back walls use non-abrasive sprays or cream based cleaners. Never use abrasive cleansers, metal brushes or scrapers that could scratch or dull the surface.

To insure long lasting life for your glass shower products, wipe them off after each use with a soft cloth. Rinse and wipe of the glass using either soft cloth or squeegee to prevent soap buildup. Never use abrasive cleaners and cleaning products that contain scoring agent because this may scratch the surface. Never use bristle brushes or abrasive sponges.

To assure a long lasting finish wipe off the metal parts after each use with a soft cloth. Do not use abrasive cleaners or cleaning products containing ammonia, bleach or acid. If accidentally used, rinse the surface as soon as possible to prevent finish peeling or corrosion. After cleaning the shiny finishes, rinse thoroughly and wipe dry with soft cloth. Clean stainless steel surfaces at least once a week. When applying stainless steel cleaner or polish, work with (not across) the grain. Never use abrasive sponge or cloth, steel wool or wired brushes.

DREAMLINE™ LIMITED WARRANTY

This is Bath Authority LLC's ("DreamLine™") exclusive written warranty effective April 2, 2012

This warranty extends only to the original owner/end-user for household use only and is not transferable to a subsequent owner. This warranty applies only to DreamLine™ products purchased from an authorized dealer and installed in United States or Canada. Proof of purchase (original sales receipt) must be provided with all warranty claims. **In no event shall the liability of DreamLine™ exceed the purchase price of the unit.**

If DreamLine™ shower & tub doors, shower enclosures and shower bases are used commercially, DreamLine™ warrants such products to be free from defects in material and workmanship for one (1) year from initial date of purchase from an authorized dealer, with all other terms of this warranty applying except duration. If DreamLine™ vanities, vessel sinks and shower columns are used commercially, DreamLine™ warrants such products to be free from defects in material and workmanship for three (3) months from initial date of purchase from an authorized dealer, with all other terms of this warranty applying except duration. **DreamLine™ Jetted and Steam Shower Cabins are not intended for commercial use and there is no warranty extended for these products for commercial use.**

DreamLine™ hereby disclaims all warranties for products sold as dealer or store displays. DreamLine™ hereby disclaims all warranties for products used outside of the United States or Canada whether expressed or implied, including but not limited to the implied warranties of merchantability and fitness for a particular purpose.

DreamLine™ will, at its election, repair, replace with product of equal value or make appropriate adjustment where DreamLine's analysis or inspection of warranty claim discloses any such defects occurring in normal usage within the warranty period. DreamLine warranty obligation shall be discharged upon tender of replacement or repair. Purchaser's refusal to accept the tender terminates warranty obligation.

Cost of freight for returning products to DreamLine™ for repairs or replacement under this limited warranty are the responsibility of the customer. Cost of freight associated with shipping of replacement product or parts to the customer may be charged to customer. Any product replaced or repaired during the warranty period will be covered only for the remaining period of the original warranty. In no event will DreamLine be liable for costs of repair or replacement of any installation material, including but not limited to tiles, marble, etc. **DreamLine™ is not responsible for installation, removal or reinstallation costs of any product requiring warranty services.**

Improper modification or alteration of any DreamLine™ products will void the warranty. DreamLine product installations and repairs must be performed by either a DreamLine authorized agent or a licensed experienced professional contractor - installation or repairs performed by any other party shall void the warranty. This warranty shall not apply to breakage or damages caused by normal wear and tear, fault, carelessness, abuse, misuse, misapplication, improper maintenance, alteration or modification of the unit, as well as chemical or natural corrosion, accident, fire, flood, act of God or any other casualty. Improper care and cleaning will void the warranty. Use of cleaners containing abrasive cleansers, ammonia, bleach, acids, waxes, alcohol, solvents or other products not recommended for chrome or similar finish, glass or acrylic will void the warranty. For additional product maintenance instructions please refer to product installation manual. DreamLine™ is not responsible for any issues arising in connection with errors or omissions in information provided on DreamLine's websites. The warranty does not extend to any non-DreamLine™ plumbing or components installed by installers, end users or by any party other than DreamLine™.

THE FOREGOING WARRANTIES ARE IN LIEU OF ALL OTHER WARRANTIES, EXPRESSED OR IMPLIED, INCLUDING BUT NOT LIMITED TO THE IMPLIED WARRANTIES OF MERCHANTABILITY AND FITNESS FOR A PARTICULAR PURPOSE. BATH AUTHORITY LLC ("DREAMLINE™") AND/OR SELLER DISCLAIM ALL LIABILITY FOR SPECIAL, INCIDENTAL OR CONSEQUENTIAL DAMAGES. DREAMLINE™ IS NOT LIABLE FOR PERSONAL INJURIES OR DEATH TO ANY PERSON OR FOR ANY DIRECT, SPECIAL, INCIDENTAL OR CONSEQUENTIAL DAMAGE, LOSS OF USE, LOSS OF TIME, LOSS OF PROFITS, INCONVENIENCE, INCIDENTAL EXPENSES, LABOR OR MATERIAL CHARGES, OR ANY OTHER COSTS RESULTING FROM THE USE OF ITS PRODUCTS OR PERTAINING TO THE APPLICATION OF THE PRESENT WARRANTY, OR RESULTING FROM THE REMOVAL OR REPLACEMENT OF ANY PRODUCT OR ELEMENT OR PART COVERED BY THIS WARRANTY.

DreamLine™ is not responsible for product code compliance or for verifying building code restrictions on installation or use and any such compliance is excluded from this warranty. DreamLine™ reserves the right to modify this warranty at any time - such warranty modification will not alter warranty applicable at the time of sale of the products in question. The warranty terms for specific products are:

SHOWER & TUB DOORS, SHOWER ENCLOSURES AND SHOWER BASES

DreamLine™ warrants shower & tub doors, shower enclosures and shower bases to be free from defects in workmanship and materials under normal residential use for a period of five (5) years from the initial date of purchase by the owner/end-user, contractor or builder from an authorized dealer.

SHOWER CABINS (JETTED & STEAM)

DreamLine™ warrants glass, acrylic and finish to be free from defects in workmanship for a period of five (5) years from initial date of purchase by the owner/end-user, contractor or builder from an authorized dealer; and plumbing, electrical and steam generator components for a period of one (1) year from the initial date of purchase by the owner/end-user, contractor or builder from an authorized dealer.

SHOWER COLUMNS

DreamLine™ warrants shower columns to be free from defects in workmanship and materials under normal residential use for a period of one (1) year from the initial date of purchase by the owner/end-user, contractor or builder from an authorized dealer.

VANITIES AND VESSEL SINKS

DreamLine™ warrants bathroom vanities and vessel sinks to be free from defects in workmanship and materials under normal residential use for a period of one (1) year from the initial date of purchase by the owner/end-user, contractor or builder from an authorized dealer.

Some states/provinces do not allow limitations on how long an implied warranty lasts, or the exclusion or limitation of special, incidental or consequential damages, so these limitations and exclusions may not apply to you. This warranty gives you specific legal rights. You may also have other rights, which vary from state/province to state/province.