



The exclusive factory applied DreamLine™ ClearGlass™ coating which provides superior protection for shower glass by preventing mineral deposits, spotting, soap film and dirt from forming on the glass.



# ENIGMA™ SHOWER ENCLOSURE

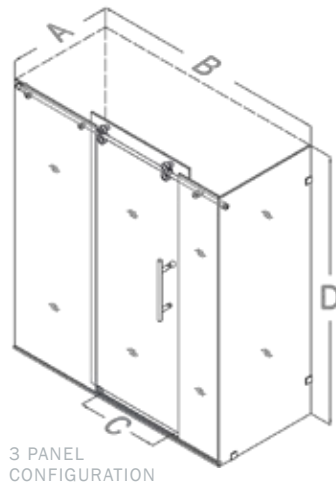
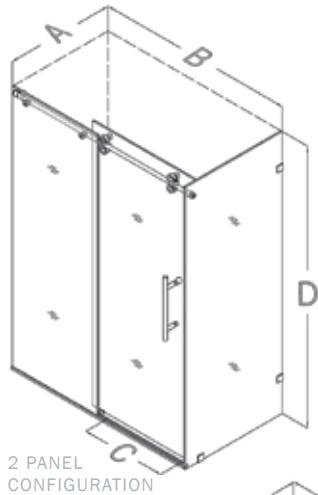


# SHOWER ENCLOSURE ENIGMA™

THE EPITOME OF IMAGINATION, DESIGN AND QUALITY



The ENIGMA shower enclosure is stunning with a sophisticated frameless design that rivals custom glass for an exceptional value. Materials like striking stainless steel hardware and superior 1/2" thick tempered glass deliver a shower enclosure of discerning quality. The impressive glass is treated with DreamLine's exclusive ClearGlass™ protective coating for superior protection and easy maintenance. Add an element of indulgence to your bathroom with the ENIGMA, a world-class shower enclosure.



- Advanced fully frameless glass design
- Superior 1/2" (12mm) thick tempered clear glass
- Stainless steel hardware available in polished or brushed finish
- Effortless single sliding door operation
- Anti-splash flange prevents water spillage
- Installation requires a minimum shower threshold depth of 3-3/4"
- DreamLine exclusive ClearGlass protective anti-limescale coating
- Reversible for right / left corner installation
- Shower enclosure width can be adjusted during installation up to 4"
- No adjustability for out-of-plumb walls
- **Professional installation required**

A	B	C WALK IN	D
2 PANEL CONFIGURATION			
36"	60-1/2"	26"	79"
3 PANEL CONFIGURATION			
36"	72-1/2"	24"	79"



Visit [PARTNER PORTAL](#) for the latest dealer news and updates

Visit [WWW.BATHAUTHORITY.COM](http://WWW.BATHAUTHORITY.COM) for detailed product information  
Tel: 866.731.8378 | Fax: 866.227.9245 | [sales@bathauthority.com](mailto:sales@bathauthority.com)

