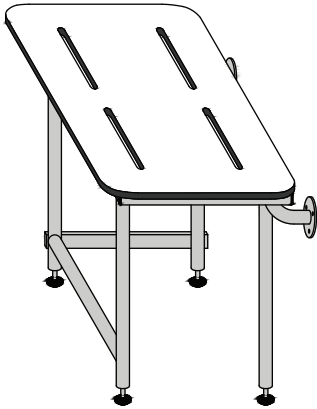
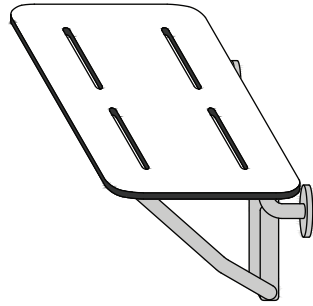


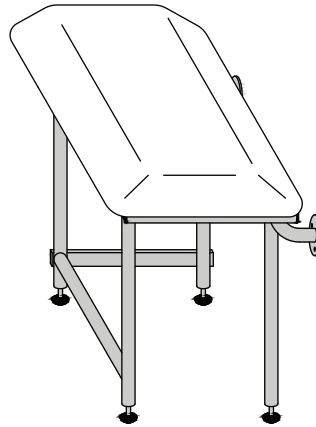
Rectangular Shower Seats
Folding, Phenolic or Padded



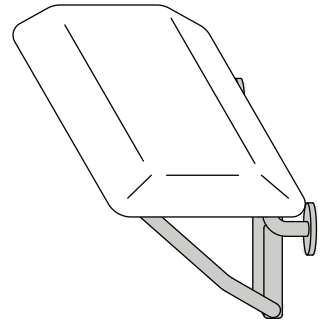
PHENOLIC W/ LEGS



PHENOLIC W/O LEGS



PADDED W/ LEGS



PADDED W/O LEGS

Specifications :

Seats meet Fed Spec. WW-P-541/8b, Amendment 1.16 April, 1990, ANSI A117.1 and ADA 2010. When properly installed, exceeds all applicable federal load specifications. Folding seat with swing down legs has adjustable rubber feet and friction in the fasteners of the S.S. cross member holds seat in upright position. Folding seat without swing down legs has a wall mounted bracket to guide "U" shaped yoke and is automatically held in upright position by a positive stop friction spring.

Load Capacity:

When properly installed, a wall mounted seat has a load capacity of 250 lbs.
When properly installed, a fold down seat with legs has a load capacity of 500 lbs.

Dimensions Available:

22" x 16"
27" x 16"
32" x 16"
41" x 16"
(18" high)

Construction:

Frame: Type 304 (18-8) S.S. tubing, 1-1/4" (32mm) x 18 ga. (1.2mm) square main frame with 1" (25mm) x 18 ga. (1.2mm) round cross members.

Wall flanges: Type 304 (18-8) S.S. 10 ga. (3.4 mm) x 3" (76mm) diameter, heliarc welded to 1" (25mm) supports, and to 1-1/4" (32mm) round x 12 ga. (2.7mm) frame hinge couplings. Three mounting holes per flange.

Seat Surface: Seat surfaces are attached with stainless steel screws.

Phenolic, solid white 1/2" (13mm) thick with rounded edges.

Padded, 2" (51mm) white naugahyde encapsulating marine plywood and foam padding.

Installation:

All shower seats must only be installed using sufficient in-wall backing material.