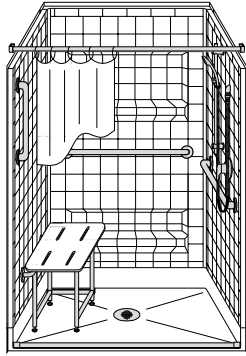


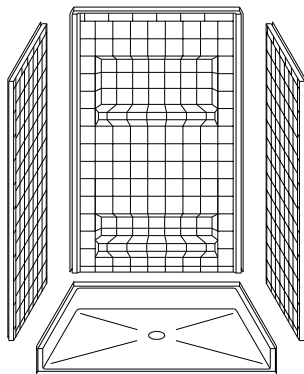
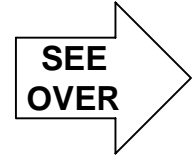
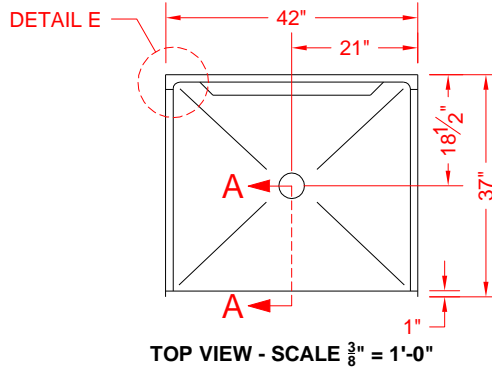
# MODEL: 4RS4236B5T\*

ALL ACCESSORIES OPTIONAL

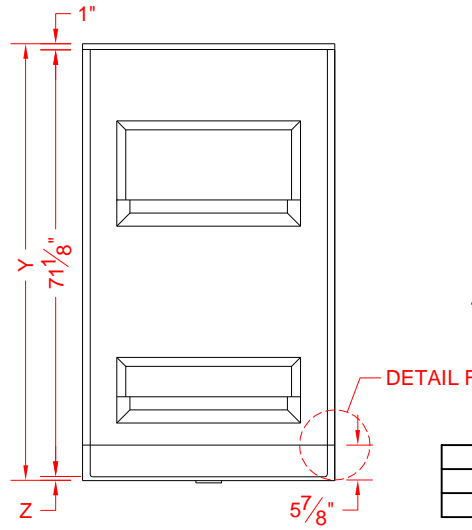
## BARRIER FREE



PERSPECTIVE VIEW - N.T.S.  
MODEL SHOWN HERE AS:



ASSEMBLY VIEW - N.T.S.



### Features:

- Molded, 4 piece gelcoat/fiberglass shower module
- Available in various threshold heights
- "RealTile" wall finish, white (standard)
- Integral full wood backing for strength and unlimited accessory placement
- On all threshold heights 1-1/2" or taller, no mud set is required
- On all threshold heights 1-1/4" or shorter, no mud set is required and an anchoring adhesive kit is supplied

**\*OTHER THRESHOLD HEIGHTS  
AVAILABLE UPON REQUEST**

MODEL #	UNIT HEIGHT	THRESHOLD HEIGHT
	Y	Z*
4RS4236B5T	72-3/4"	5/8" MIN.
4RS4236B2T	74-1/8"	2" MAX.

\* - SEE BACK FOR DETAIL SECTIONS

### PRODUCT SPECIFICATIONS:

- Multi piece shower module shall be constructed of gelcoat/fiberglass with full integral plywood backing
- Rough-In: Stud opening +1/4" -0" Nominal Dimensions.

C.S.I. FORMAT SPECIFICATION TEXT AVAILABLE

#### PRODUCT INFORMATION:

- Accessories: Factory installed, unless prone to damage during installation/shipping. Polished chrome/satin stainless standard, others available.
- Colors: White as standard, others to match any major fixture manufacturer, also available with sprayable solid surface in many colors
- Custom curb heights, other than shown, are available (between min. and max.)

#### ACCESSORIES:

##### INSTALLED BY OTHERS:

- Grab bar
- Seat, folding
- Mixing valve, pressure balanced, lever handle, preplumbed tree to supply elbow
- Semi-permanent Threshold Adaptor
- T-Shaped Rubber WaterStopper Kit
- Curtain and rod
- Caulkless drain

#### CODES:

- Designed and manufactured in compliance with the following standards and codes:
- A.N.S.I. Z124.2 Standards for Plastic Showers
  - I.P.C. International Plumbing Code
  - U.P.C. Uniform Plumbing Code

#### NOTICE OF LIMITATION:

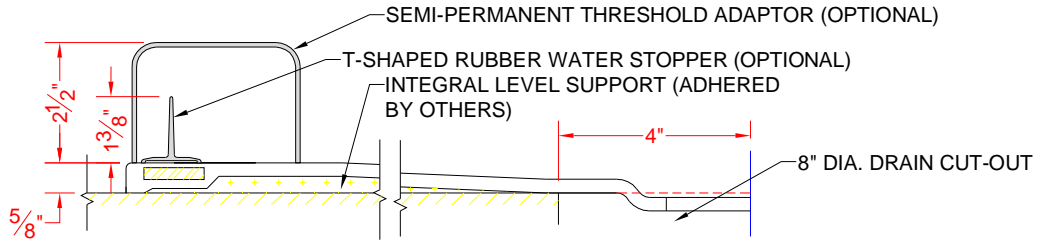


BEST BATH SYSTEMS INC.  
www.best-bath.com 1-800-727-9907

We reserve the right to make revisions without notice in the design of fixtures or in packaging unless this right has specifically been waived at the time the order is accepted.

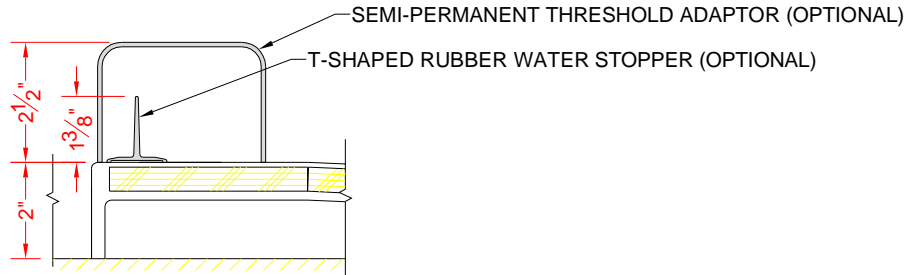
Rev A 2-18-11  
Corrected depth from 36" to 37"  
and drain from 18" to 18-1/2".

**4RS4236B5T**



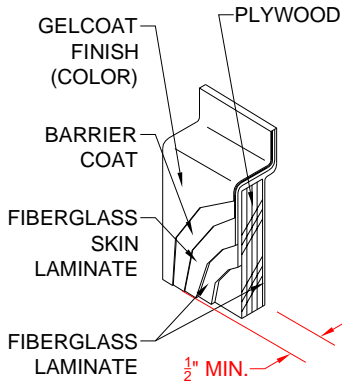
SECTION A-A - SCALE: 3" = 1'-0"

**4RS4236B2T**

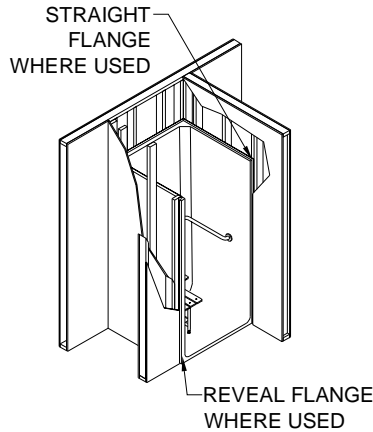


SECTION A-A - SCALE: 3" = 1'-0"

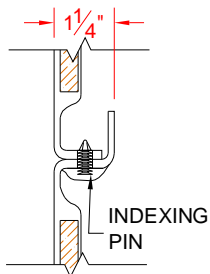
**\*\*OTHER THRESHOLD HEIGHTS AVAILABLE UPON REQUEST\*\***



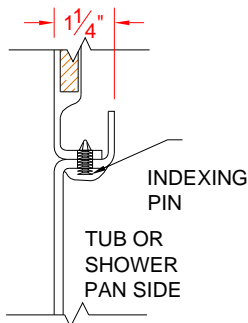
DETAIL B - SCALE: 3" = 1'-0"  
 WALL SECTION DETAIL



DETAIL C - SCALE: NTS  
 TYPICAL FRAMING



DETAIL E - SCALE: NTS  
 WALL JOINT DETAIL



DETAIL F - SCALE: NTS  
 PAN JOINT DETAIL



BEST BATH SYSTEMS INC.  
 www.best-bath.com 1-800-727-9907