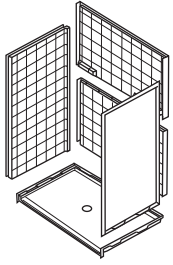


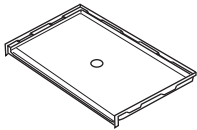
INSTALLATION INSTRUCTIONS



Multi-piece shower systems

3/4/5 LBS SJ

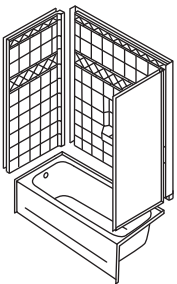
1



Shower pans with low-profile bottom

LPBm

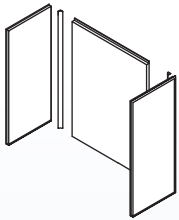
7



Multi-piece tub/shower systems and wall surrounds

4TS 3WS SJ

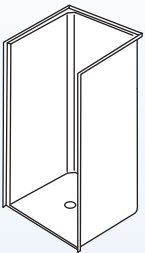
9



Universal wall surrounds

2/3 UWS

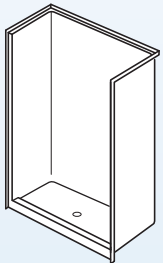
12



Single piece showers with low-profile bottoms

LPB1

14



Single piece residential showers and tub/showers

1P/2P

16



Warranty information

17



www.best-bath.com

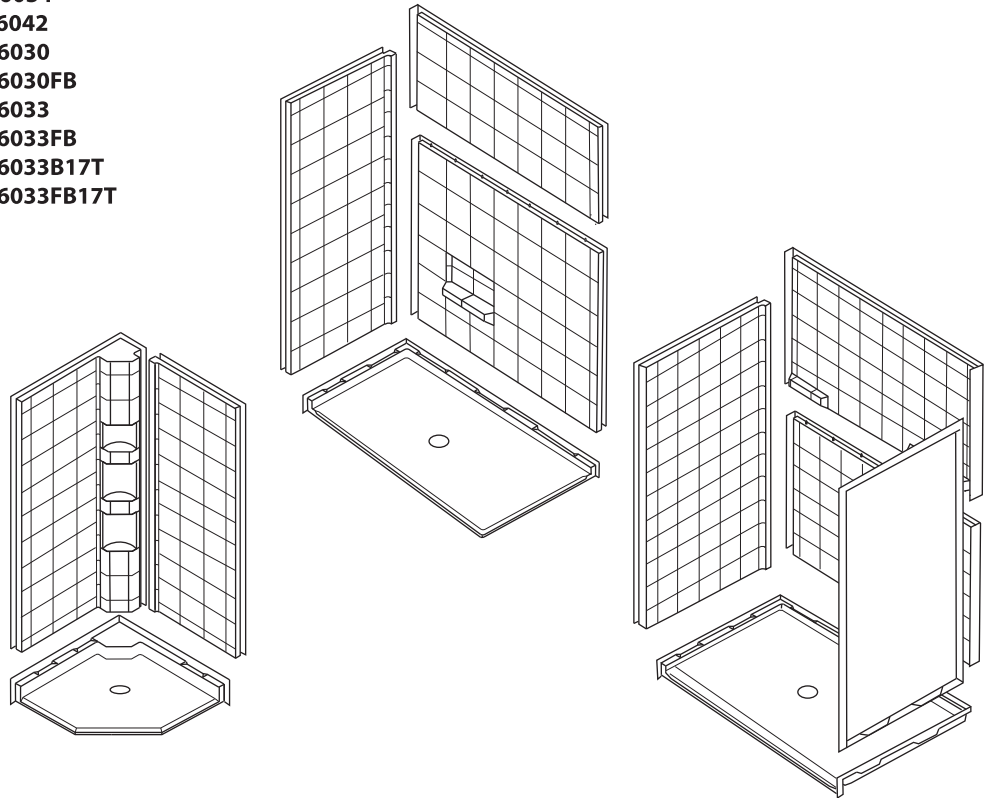
Installation Instructions

Low Base 3, 4 and 5 piece Showers with SnapJoint

3/4/5 LBS SJ

INSTALLATION INSTRUCTIONS FOR MODEL

- | | |
|-----------------------------|---------------|
| 3LEN4242B75B *(Also LPBmW) | 3LEN4242 |
| 4LDS4834B75B *(Also LPBmW) | 4LRS4834 |
| 4LRS4834B5B *(Also LPBmW) | 5LDS6030 |
| 4LRS4834B5T *(Also LPBmW) | 5LDS6034 |
| 4LDS4848B1B *(Also LPBmW) | 5LES6042 |
| 4LESC6036B75B *(Also LPBmW) | 5LRS6030 |
| 4SS6337A75B *(Also LPBmW) | 5LRS6030FB |
| 5LDS6030B75B *(Also LPBmW) | 5LRS6033 |
| 5LDS6030B17T | 5LRS6033FB |
| 5LDS6030E17T | 5LRS6033B17T |
| 5LDS6033B17T | 5LRS6033FB17T |
| 5LDS6034B75B *(Also LPBmW) | |
| 5LDS6034B17T | |
| 5LDS6042B1B *(Also LPBmW) | |
| 5LES6036B75B *(Also LPBmW) | |
| 5LES6042B1B *(Also LPBmW) | |
| 5LES6048B1B *(Also LPBmW) | |
| 5LRS6030B75B *(Also LPBmW) | |
| 5LRS6030B17T | |
| 5LRS6030FB17T | |
| 5LRS6032B75B *(Also LPBmW) | |
| 5LRS6032FB75B *(Also LPBmW) | |
| 5LRS6034B75B *(Also LPBmW) | |
| 5LRS6034FB75B *(Also LPBmW) | |
| 5LES6331A75B *(Also LPBmW) | |
| 5LES6331E75B *(Also LPBmW) | |
| 5LES6333A75B *(Also LPBmW) | |
| 5LES6337A75B *(Also LPBmW) | |



Quick Check List for Installation

See page 2 for Illustrations and page 3 for tools and supplies

- Decide if you need to recess the unit into the floor for best wheel chair access and if so, cut out the flooring. If the model you are installing has a beveled curb or if you are using a ramp, this will not apply.
- Mark where the perimeter of the unit will be on the walls, then mark and cut 1-1/2" inch past that mark.
- Check the framing pocket for size, plumb and level and adjust as needed.
- Add studs to the side wall as needed for attaching the vertical front flanges and drywall.
- Prepare the drain hole in the floor and the drain fitting.
- Prepare and cut holes for the mixing valve and supply outlet.
- For units with a 1-1/4" or lower curb height, see **LPBm** "Shower Pans with Low Profile Bottoms" on page 7.
NOTE: when bracing to the ceiling to install a unit with Low Profile bottom, set the backwall on the pan before blocking access with the bracing boards.
- Install the Pan (use a plumb bob) and fasten to the studs. See Step 2 on page 3
- Install the Backwall and attach at the top. On a 2-piece backwall, secure the bottom section temporarily before the top section goes on.
- Caulk the back of the backwall joint and Install the side wall panels and snap the joints flush, using the suction cup (included).
- Screw to the framing and caulk all joints except weep holes.
NOTE: sealing weep holes may result in failure not covered by warranty. See page 3 for details
- Install the optional Flange Trim Kit and other accessories. Following these first two pages are more detailed instructions.

*LPBm indicates that in addition to these instructions, you also need to follow:

"Installation Instructions Shower Pans with Low Profile Bottoms"

PREPARATION

Check that all the parts are there and if there is minor damage, it can be touched up later. Damage claims should be made immediately with the carrier.

- 1 ea Pan
- 2 ea Side Wall panels
- 1 ea or 2 ea (depending on the model) Back Wall panel
- 1 ea tube of silicone caulk
- Remodel Flange Trim Kit (optional)
- Other Options

NOTE: Items needed for back wall valve location are indicated the letter "B".

TOOLS General

- Tape measure
- Pencil
- Utility knife
- Drill/screw gun
- Pilot bit with counter sink
- #2 Phillips head bit
- Skill saw
- Pry bar
- Plumb bob
- Level (2 ft.)
- Caulk gun
- Leather gloves (to protect from fibers and metal springs)

TOOLS for Mixing Valve Plumbing

- Hole saw, 4" for mixing valve hole
- Hole saw, 1-1/4" for supply elbow- or fixed head hole
- Pipe wrench
- Propane torch
- Wire brush for copper fittings
- Pipe cutter for copper pipe
- Hack saw
- Pipe wrench
- Hole saw, 1-3/4" for (optional) diverter valve hole
- 3/8" socket driver (to remove plug from diverter valve)

TOOLS for Showers with Low Profile Bottoms LPB

- Standard Caulk gun for 10 oz.
- Special gun provided for 20 oz. dual cartridge

SUPPLIES General

- 40 ea 1-1/2" drywall screws
- 10 ea shim wedges
- 4 ea 8 ft 2x4 lumber

SUPPLIES for Drain- and Mixing Valve Plumbing

- Plumbers putty
- Flux
- Solder
- Pipe dope/Teflon tape
- Emery cloth
- Pipe strap
- Drain and P-trap pipe and fittings as required to adapt from the existing tub drain to a shower drain
- Solvent Weld Cement
- Pipe Cleaning Solvent

NOTE: All or some of the following plumbing fittings may be needed depending on whether the valve will be located on the back wall or other valve relocation is done.

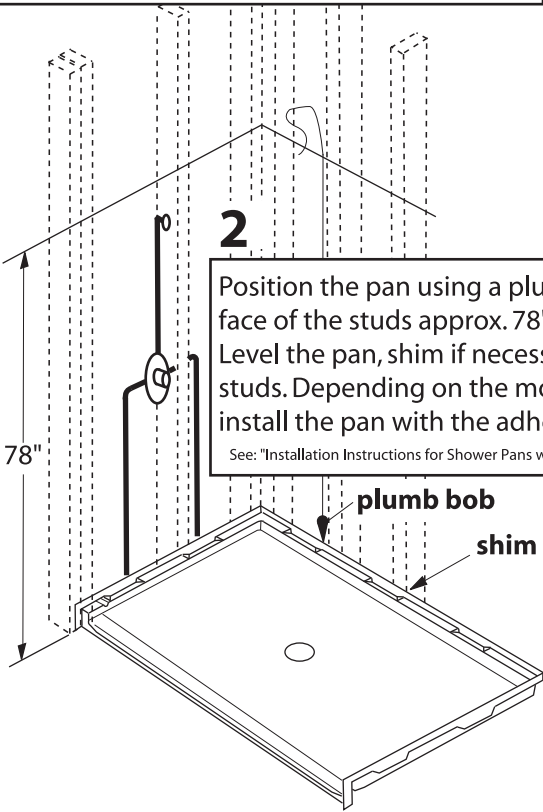
- B** 1/2" copper pipe
- B** copper elbows 90 degr.
- B** copper elbows 45 degr.
- B** copper couplings
- B** 1/2" MIPT x 3" nipple (galvanized or brass)

SUPPLIES for Showers with Low Profile Bottoms LPB

- Supplied adhesive in 10 or 20 oz. sizes (provided with the shower)

1

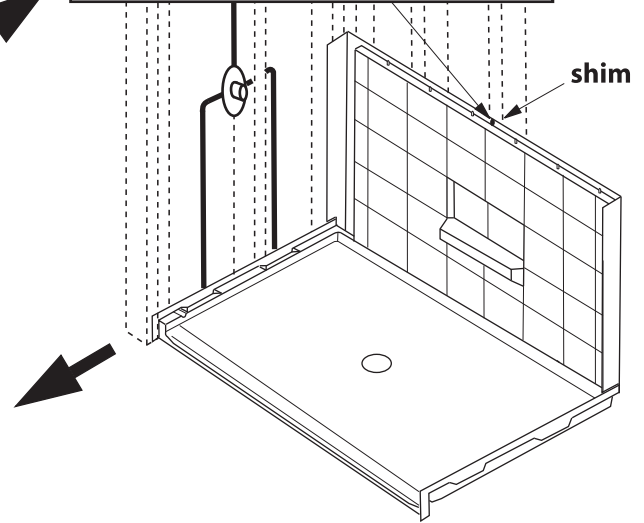
Rough in the plumbing to drain, valve and outlet.



2
 Position the pan using a plumb bob from the face of the studs approx. 78" above the floor. Level the pan, shim if necessary and screw to the studs. Depending on the model, you may have to install the pan with the adhesive provided.
 See: "Installation Instructions for Shower Pans with Low Profile Bottoms" LPBm

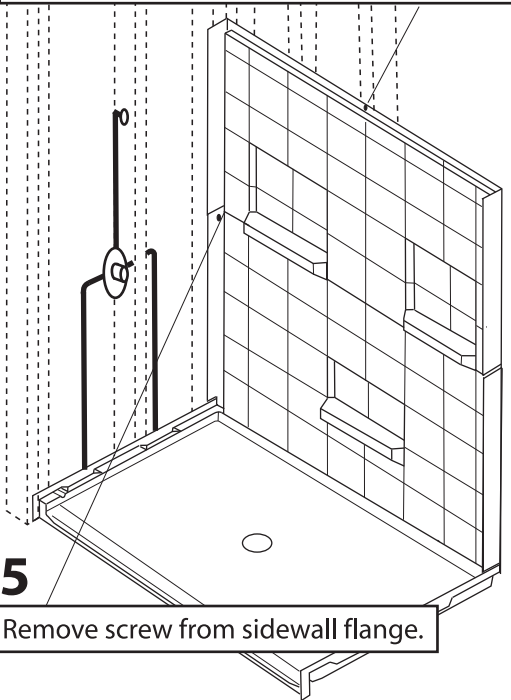
3

Place the lower backwall panel, shim if necessary and secure it with one screw to the center stud only.



4

Place the upper panel and hold it in place with one screw near the center (not tight).

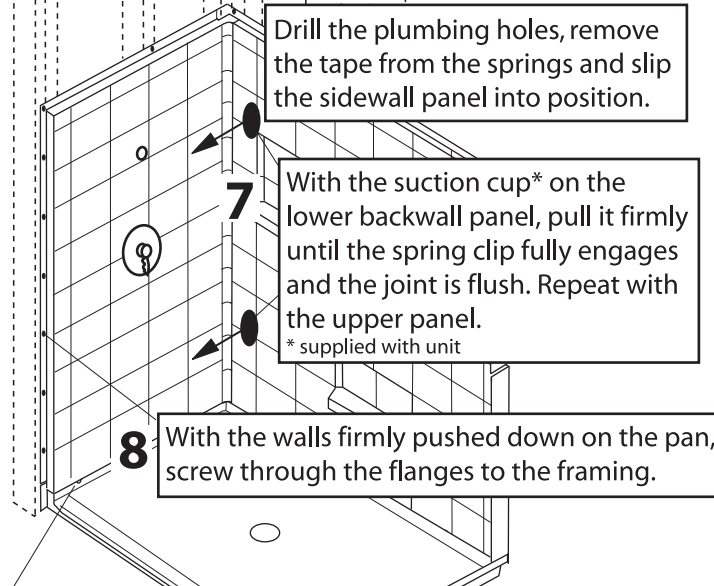


5

Remove screw from sidewall flange.

6

Drill the plumbing holes, remove the tape from the springs and slip the sidewall panel into position.



7

With the suction cup* on the lower backwall panel, pull it firmly until the spring clip fully engages and the joint is flush. Repeat with the upper panel.
* supplied with unit

8

With the walls firmly pushed down on the pan, screw through the flanges to the framing.

9

Apply silicone caulk with a small nozzle in all joints except the weep holes found toward the front on the seam between the pan and the side wall.

Installation:

1. Mark and cut out the drywall to fit the shower as follows:
1-1/2" above the level where the highest point of the shower will be.

See Figure 1 A

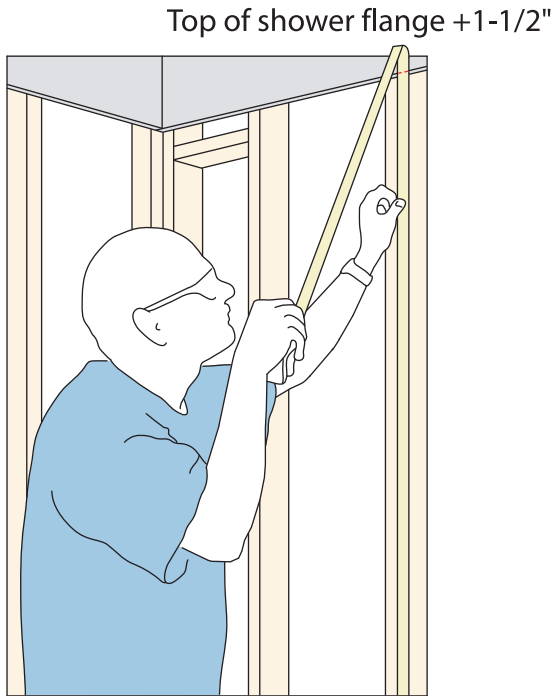


Figure 1 A

2. Mark and cut out the drywall in front to fit the shower as follows:
1-1/2" past where the furthest point of the shower will be.

See Figure 1 B

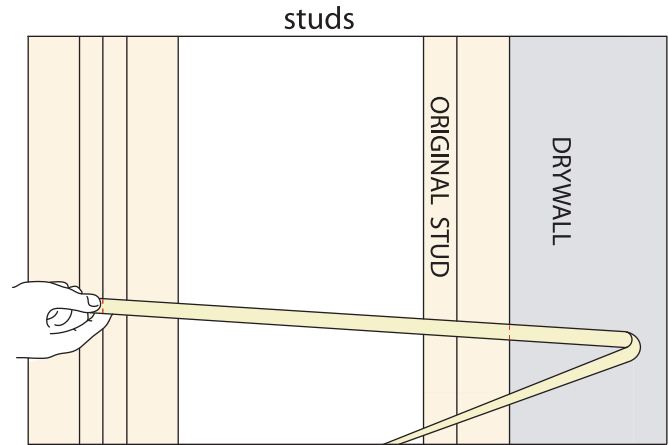


Figure 1 B

2. Install the studs that will provide support for the front nailing flanges and the drywall as follows:
Slip two studs in the space in front of the most forward stud SIDEWAYS and screw it to this stud. See Figures 2 A and 2 B

Now screw the drywall to this stud

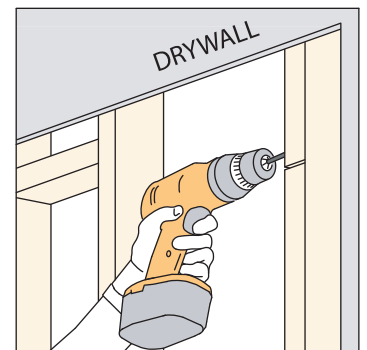
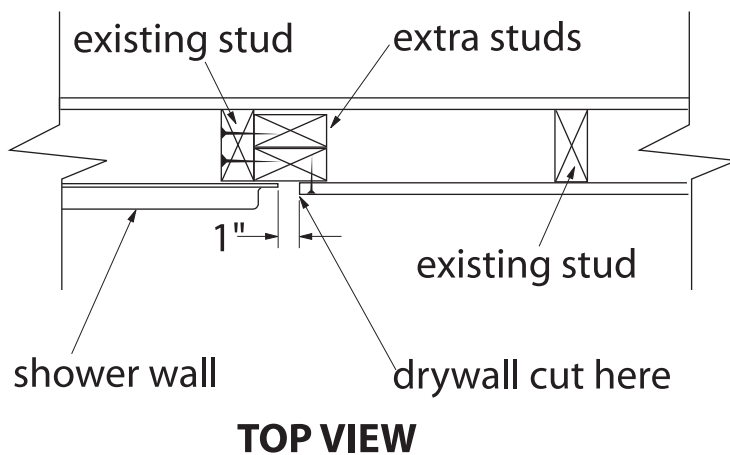


Figure 2 A

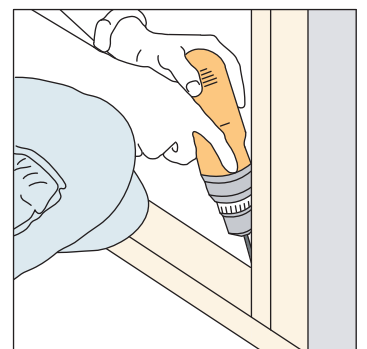


Figure 2 B

If you need to keep the curb as low as possible for maximum accessibility and want to install the pan on the floor joists, proceed as follows:

If the joists run perpendicular to the shower curb, run 2x4 between and flush with the top of the joists. This is to provide support for the back of the pan and allows shimming. **See Figure 3**

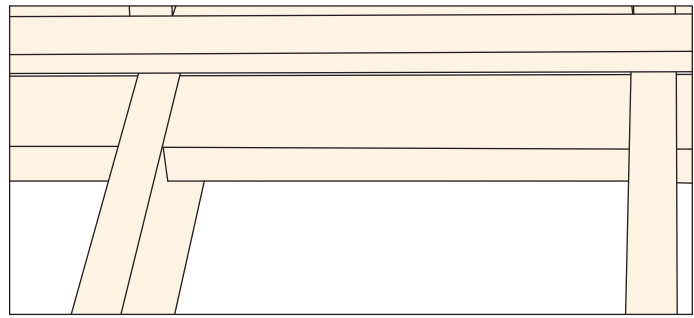


Figure 3 (accessible install only)

4. Level the part of the floor where the front and the back of the pan will be sitting. **See Figure 4**

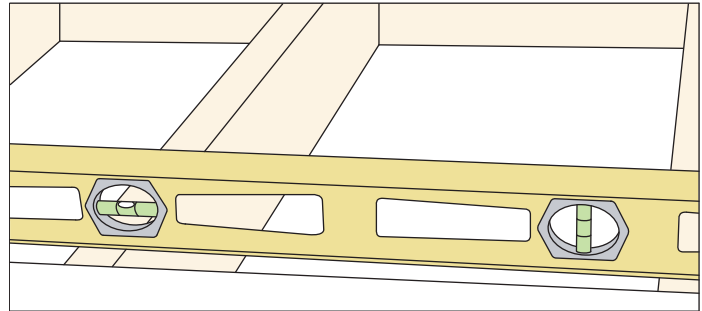


Figure 4

5. Rough in the drain pipe. **See Figure 5**

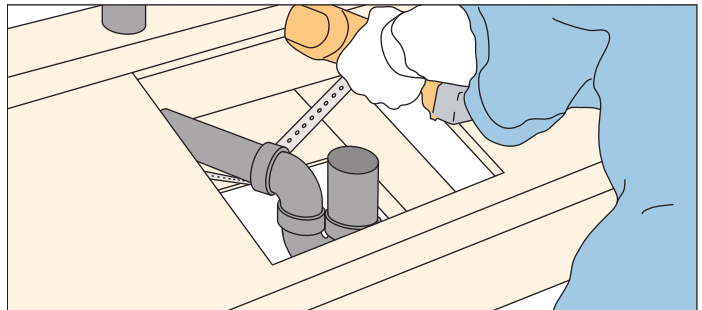


Figure 5

6. If you need to install a new diverter mixing valve on the back wall, pre-plan the lay-out with the valve, glide bar and grab bar positions in mind. Shut off the water supply and cut the hot and cold lines between 2" and 4" above the bottom plate. Route these lines through the studs (except for 2 ea 45 deg elbows in front of the corner studs) toward the new valve location on the back wall. **See Figure 6**

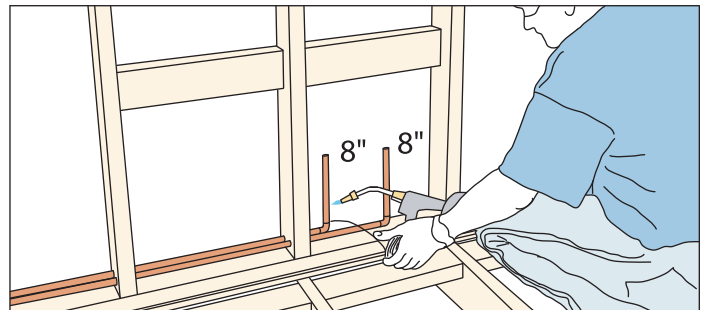


Figure 6

If your shower pan's curb height is:

- less than 1-1/2", see **LPBm** supplement for proper adhesion to the floor before continuing.
- 1-1/2" or greater, continue with these instructions.

7. Set the pan in the opening, carefully slipping the drain fitting over the drain pipe. (No Figure 7)

8. Level the pan in all directions. **See Figure 8**

9. Hang a plumb bob FLUSH with the back side of the drywall from temporary screws. **See Figure 9**

10. If the studs are leaning in, shim between the pan and the framing and check that the pan is still level before screwing it to the studs.

If the studs are leaning out, you can either:

- A. Cut into the studs or
- B. Shim out.

The optional Flange Trim Kit is a good way to help transition to the drywall.

Keep the screws in the pan flanges close to the edge of the flange so the wall panel will not hang up on these screws.

See Figures 10 A and 10 B

11. Drill the holes for the plumbing, based on the pre-planning discussed in Step 6. **See Figure 11**

If the plumbing is kept at the original plumbing wall, just reposition the valve (be sure to plug the port to the tub spout that is now unnecessary) and relocate the shower outlet as desired. If you are installing the valve on the back wall, run the pipes about 8" above the bottom plate, but do not commit to a final position of the valve and fittings until you can line these up with the holes in the wall panels.

12. Follow steps 3 thru 8 on page 1.

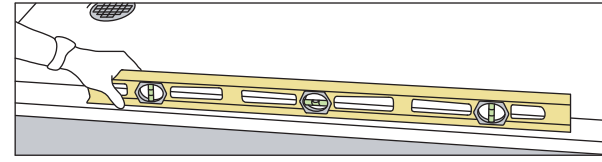


Figure 8

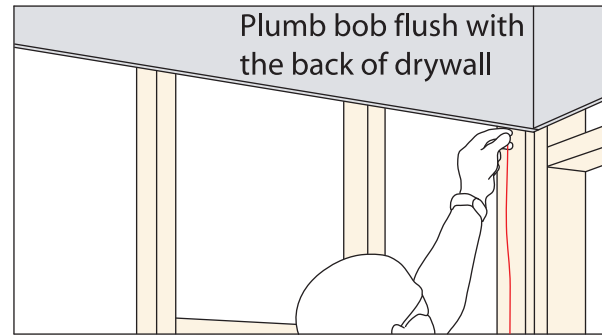


Figure 9

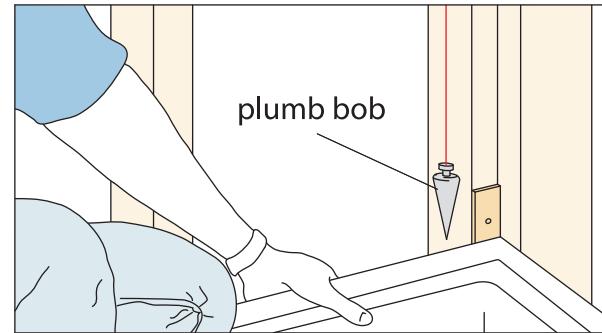


Figure 10 A

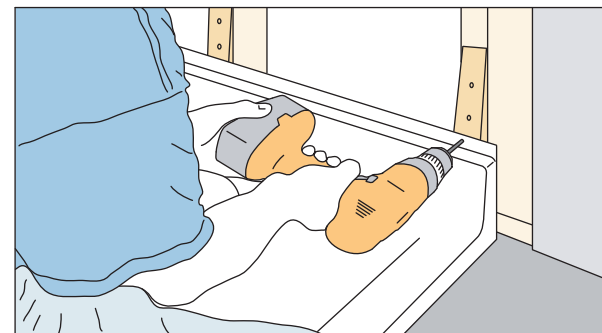


Figure 10 B

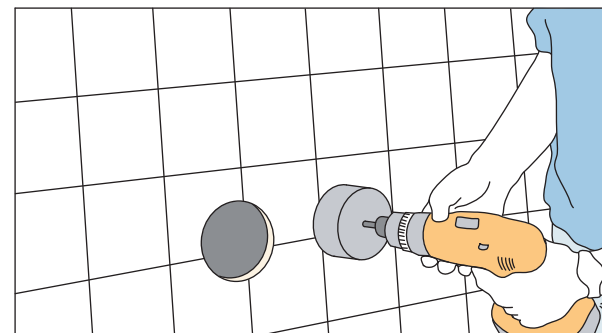


Figure 11

Installation Instructions

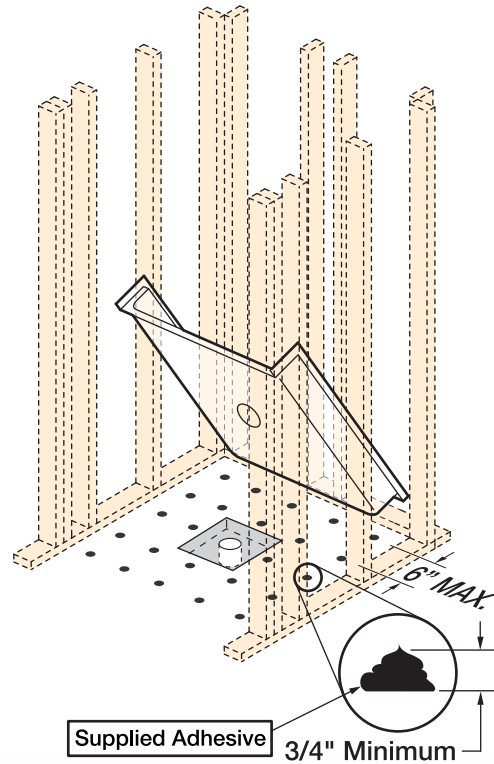
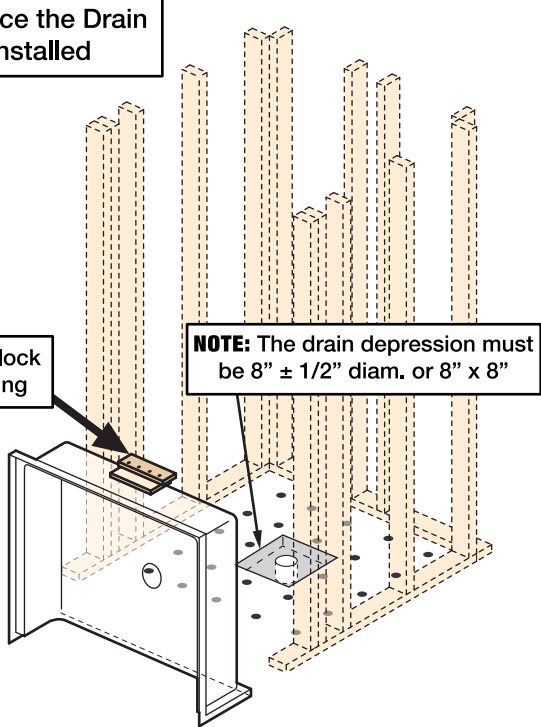
Shower Pans (multi-piece) with Low Profile Bottoms



STORAGE: Do Not Rest on the Bottom Once the Drain Fitting is Installed

Remove this block before installing

NOTE: The drain depression must be 8" ± 1/2" diam. or 8" x 8"



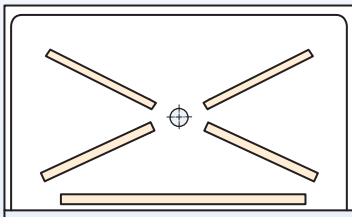
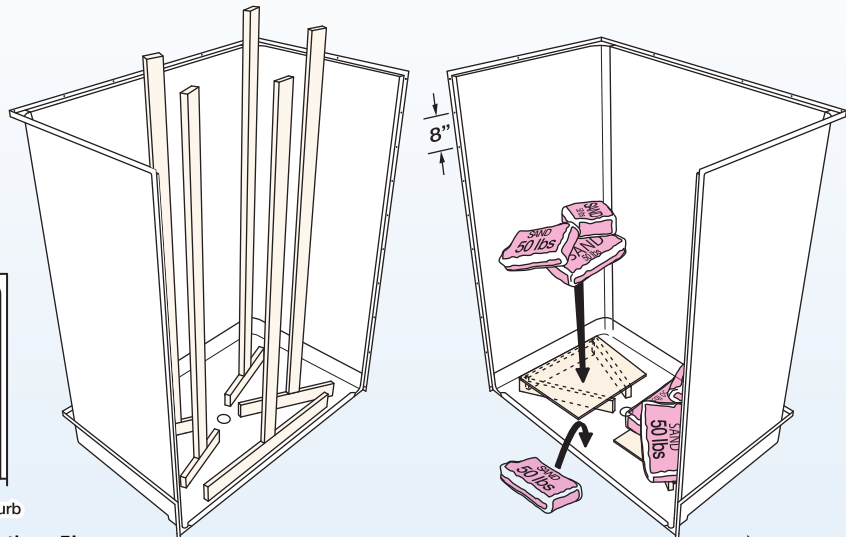
DO NOT WALK ON BOTTOM UNTIL ADHESIVE HAS SET UP

TIP: Also put adhesive between 2 pcs. of scrap wood to monitor cure

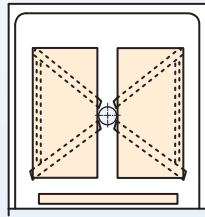
Adhesive: 3/4" dollops every 6" min. starting approximately 2" from drain depression

Weigh down the weight plates* or brace to the ceiling. Check that they are tight all along the shower floor with no dips or high areas.

*Weight plates are supplied with units on commercial orders when quantities are six (6) or greater.



Additional bag or brace at curb

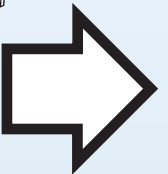


Additional bag or brace at curb

PLAN for showers 5' or larger
 5/8" - 3/4" curb: 7 ea. 50 lb bags
 1" - 1-1/4" curb: 13 ea. 50 lb bags

PLAN for showers smaller than 5'
 All curb heights: 7 ea. 50 lb bags

SEE BACK FOR ADDITIONAL IMPORTANT INSTRUCTIONS



ATTENTION: Weight Plates are sent with the First Load Only. Please keep your weight plates for use with all subsequent shipments.

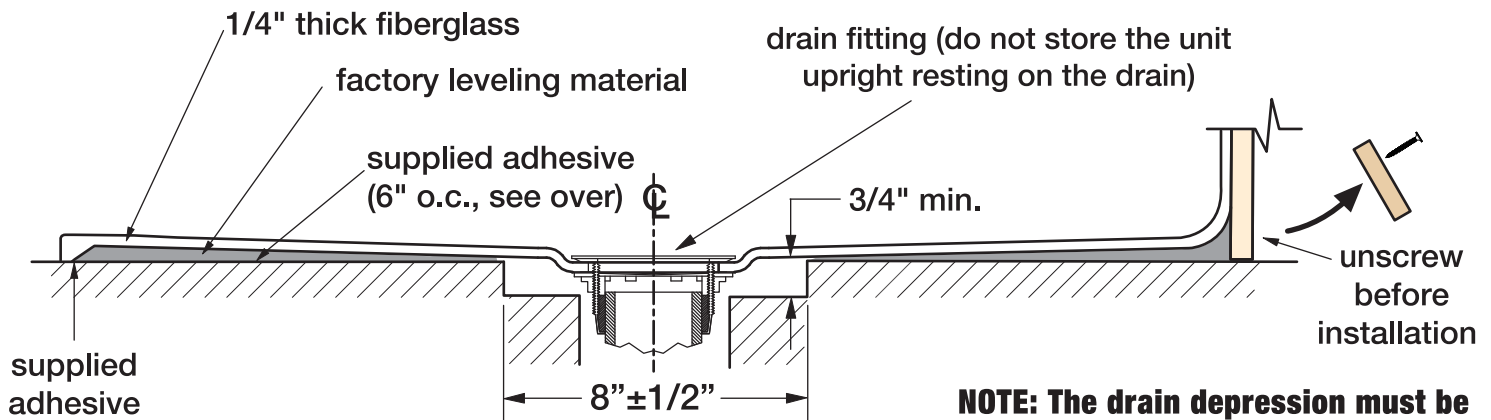


Installation Instructions

Shower Pans (multi-piece) with Low Profile Bottoms

LPBm

The extremely low profile of this shower bottom may eliminate the need for recessing. In order to get full, permanent contact with the floor, it MUST be installed per these instructions. FAILURE TO FOLLOW THESE INSTRUCTIONS MAY RESULT IN FAILURE NOT COVERED BY WARRANTY



CROSS SECTION OF BOTTOM (installed)

NOTE: The drain depression must be 8" ± 1/2" diam. or 8" x 8".

Installation:

1. Check the stud pocket for level and correct dimensions and the drain hole in the floor for the correct distance to the studs. The floor must be level $\pm 1/8$ inch.
2. The shower drain must be centered in an 8" depression in the floor (refer to specification or the actual shower). See drawing above.
3. Have the plumber install the drain fitting. **DO NOT** store the unit resting on the drain.
4. Prepare the drain pipe to receive the drain.
5. Clean the floor and the base's underside free from dust so the adhesive can adhere to both surfaces. The floor may be damp but no standing water.
6. The leveling material has been scuffed up at the factory. Clean off any debris stuck to it.
7. Remove the plywood strip that is screwed to the leveling block at the back and install the drain fitting.
8. Put the pan in the pocket. To position it, you **MUST** use a plumb-bob or dry-fit the walls.
9. Draw a line where the curb will be.
10. Prop the pan up and apply the adhesive to the floor. (See illustration on the front page). At the same time, glue some scrap wood together as a cure time sample for later on.
11. Tip the pan into position making sure it is positioned at the line drawn in step 9, and guide the drain pipe into the drain fitting.
12. When level, screw through the flanges.
13. If weight plates were provided*, use them to brace or weigh down as shown (over) until snug to the shower floor. If they were not provided, brace as shown.
14. **Make sure the bottom has adequate drain-slope by pouring water in it or with a level.**
15. Check the cure time sample from step 9 and when fully bonded or after no less than 2 hours, remove the weight plates (more if the floor is cold).
16. Install the walls per the instructions, but avoid stepping inside until the adhesived has cured.

*Weight plates are supplied with units on commercial orders when quantities are six (6) or greater.

SEE FRONT FOR ADDITIONAL IMPORTANT INSTRUCTIONS 

Best Bath
SYSTEMS

BEST BATH SYSTEMS, INC. CALDWELL, ID.



www.best-bath.com

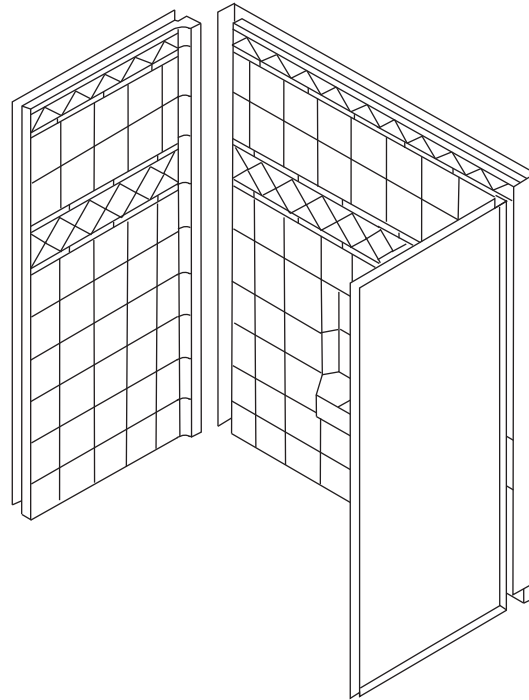
Installation Instructions

4 piece Tub/Showers and 3 piece Wall Surrounds with Snap Joint

INSTALLATION INSTRUCTIONS FOR MODEL #

4T/S 3WS SJ

- 3LTOW5030**
- 3LTOWJ5030**
- 3XTOW5030**
- 3XTOWJ5030**
- 5LTOW5030**
- 5LTOWJ5030**
- 5XTOW5030**
- 5XTOWJ5030**
- 2WIDWS5030**
- 3WIDWS6030**
- 4LDSS6030**
- 4ETSF6030A165**
- 4ETSF6030**
- 4LDS6030**
- 4LETS6030**
- 4LDS6032**
- 4LDSS6032**
- 4LRS6032**
- 3DWS6030**
- 3EWS6030**
- 3RWS6032**
- 3DWS6032**
- 4LDSS6034**
- 3DWS6036**
- 3EWSF6030**



General information

The unit consists of:

- 1 ea Tub (unless it is a wall surround)
- 2 ea Side wall panels
- 1 ea Back wall panel
- 1 ea Tube of mold resistant silicone caulk
- 1 ea Rubber suction cup

This wall surround was designed for remodeling or new construction.
 This unit is installed from the front without the need for access from behind.
 A system of springs clips in the corners ensure alignment of the wall sections.
 Remove the protective duct tape from the springs on the side walls just prior to installation.

Installation: (See drawing on page 3)

Prepare any plumbing that will not be accessible later and drill any holes needed for plumbing.
 Always drill from the finished side.
 Standard hole saws and jigsaw blades will cut fiberglass.

After installation:

Install the optional flange trim kit.
 Caulk all panel joints with a small nozzle tip on the silicone caulking tube.

Scratches caused during installation may be wet-sanded out with 400, then 600 grit wet/dry sandpaper and then buffed to gloss with any automotive or marine buffing compound.

PREPARATION

Check that all the parts are there and if there is minor damage, it can be touched up later.

Damage claims should be made immediately with the carrier.

1 or 2 ea Side Wall panels

1 ea Back Wall panel

1 ea tube of silicone caulk

1 ea Black rubber suction cup

Remodel Flange Trim Kit (optional)

Other Options

TOOLS General

Tape measure

Pencil

Utility knife

Drill/screw gun

#2 Phillips head bit

Pry bar

Plumb bob

Level (2 ft.)

Caulk gun

Leather gloves (to protect from fibers and metal springs)

SUPPLIES General

30 ea 1-1/2" drywall screws

5 ea Shim wedges

TOOLS for Mixing Valve Plumbing

Installed on the wall

Hole saw for mixing valve hole

Hole saw, 1-1/4" for supply elbow- or fixed head hole

Pipe wrench

Propane torch

Wire brush for copper fittings

Pipe cutter for copper pipe

Hack saw

SUPPLIES for Mixing Valve Plumbing

Plumbers putty

Flux

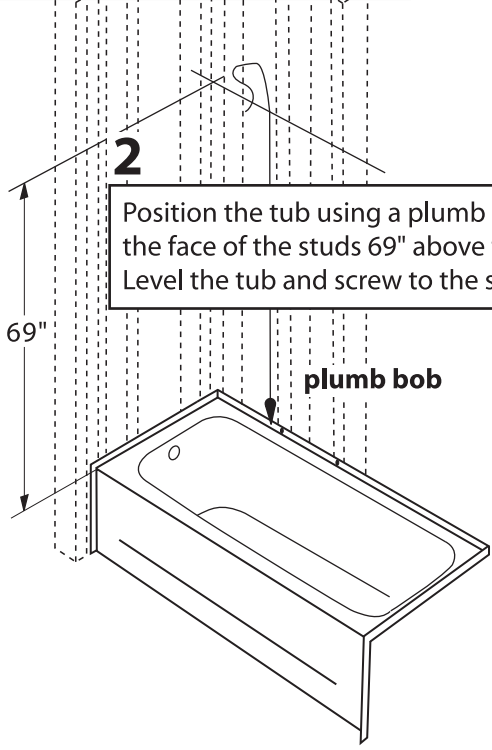
Solder

Pipe dope/Teflon tape

Emery cloth

1

Rough in the plumbing to drain/overflow, valve and outlet.



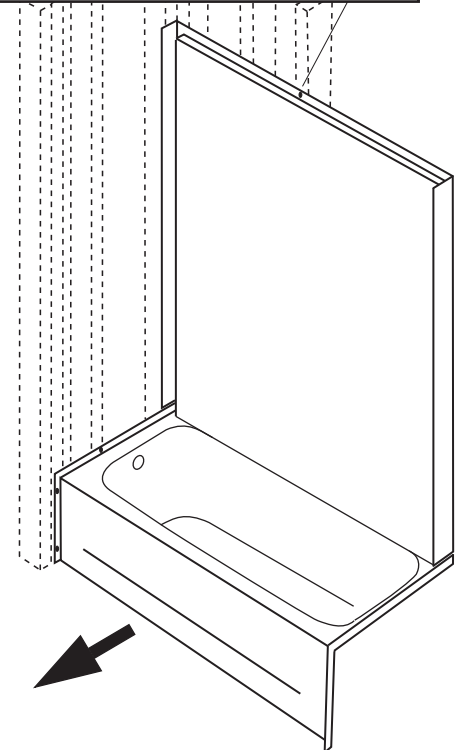
2

Position the tub using a plumb bob from the face of the studs 69" above the tub. Level the tub and screw to the studs.

plumb bob

3

Place the backwall panel and hold in place with one screw near the center (not tight).



4

After drilling the plumbing holes, slip the sidewall panel into position.

5

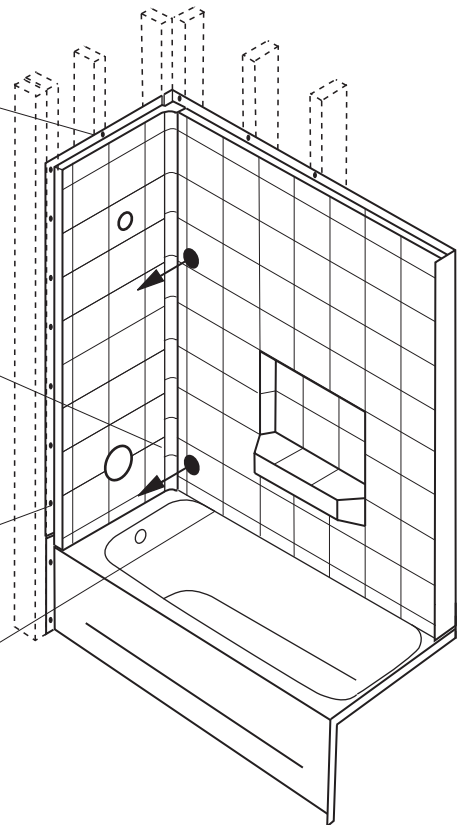
With the suction cup* on the backwall panel, pull it firmly until each spring clip fully engages and the joint is flush. Repeat near the other clips. If, for some reason, you need to remove the panel, just slide it up 1-1/2 inches to disengage the spring clips.
* supplied with the unit

6

With the walls firmly pushed down on the pan, screw through the flanges to the framing.

7

With just a small opening in the silicone nozzle, seal all joints.





4545 Enterprise Street Boise, ID 83705
ph.: 800-727-9907 fax: 800-627-0929 www.best-bath.com

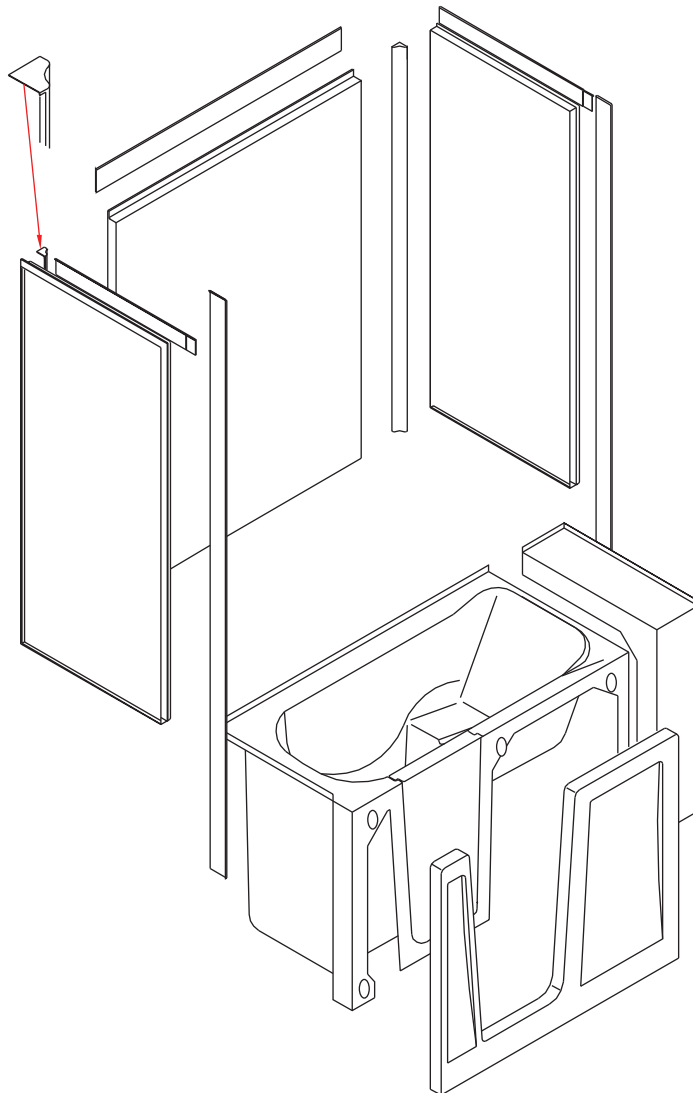
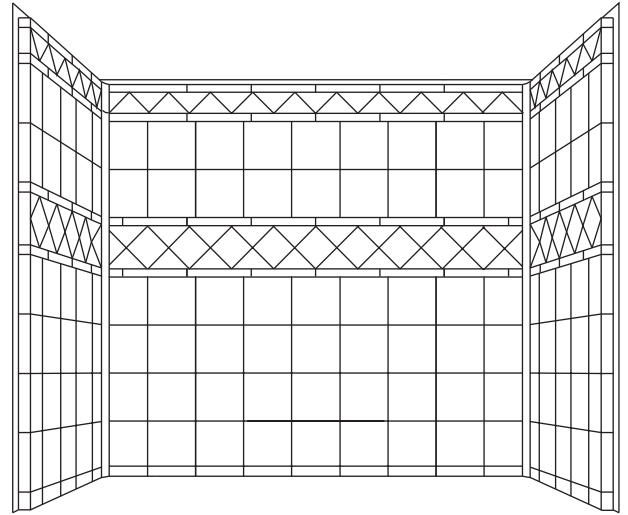
Installation Instructions

2 and 3-Piece Universal Wall Surrounds

INSTALLATION INSTRUCTIONS FOR MODEL #

2/3 UWS

- 2DWSU6030**
- 3DWSU6030**
- 2DWSU6036**
- 3DWSU6036**



INSTALLATION INSTRUCTIONS CONTINUED

1. Cut back wall to fit (if necessary) and screw to studs through flanges FIG. 1

A. Mark your measurement at the top and bottom. Lay a strip of masking tape centered on the mark at the top to the mark on the bottom. Draw a line on the tape connecting your marks. Also, tape the shoe of the saw to protect the surface of the wall.

B. Using a Jig Saw with a Bi-Metal blade or a Skill-Saw with a general purpose Carbide Tip blade, slowly cut along your line.

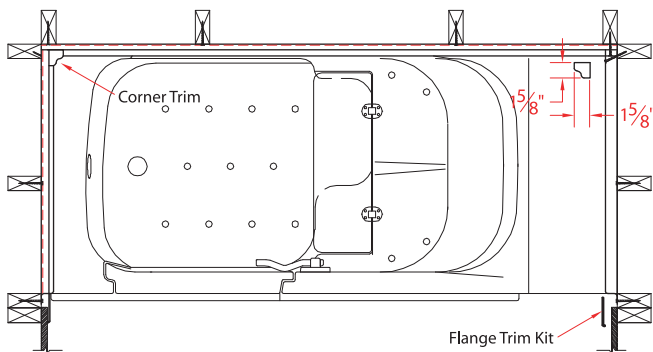
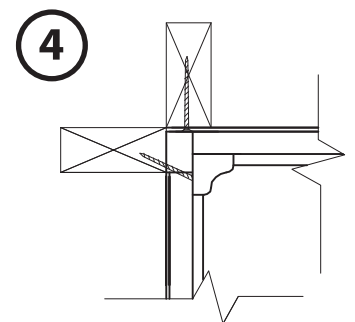
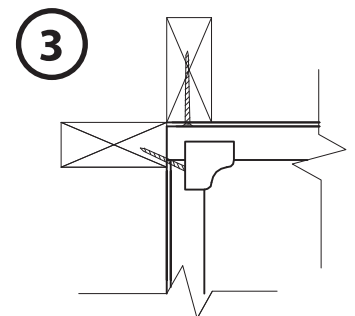
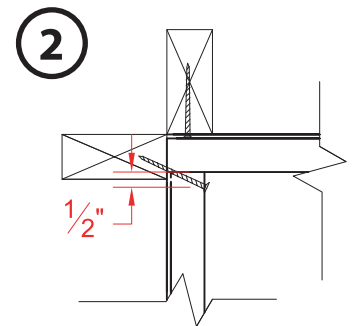
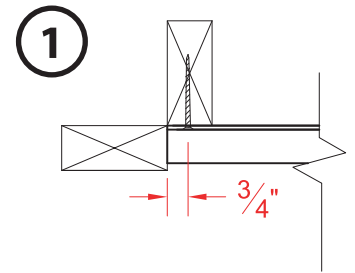
C. Set the wall on the deck to ensure it fits. Trim/shim as needed.

2. Cut side wall to fit (if necessary) and screw to studs as shown in FIG. 2

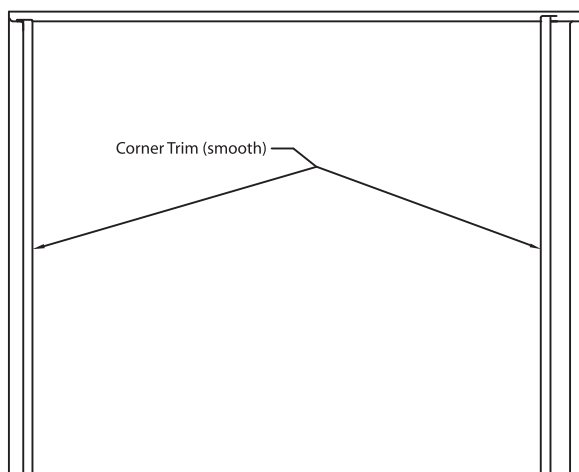
3. Cut corner trim to length and stick to corner with Power Grab and then caulk FIG. 3. Masking tape may help trim stay in place while the adhesive cures.

4. Cut flange trim to length and stick to flanges with Power Grab and then caulk FIG. 4. Masking tape may help trim stay in place while the adhesive cures.

TOP VIEW DETAILS



TOP VIEW (installed)

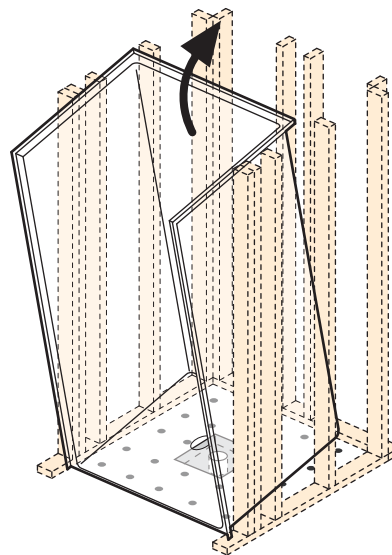
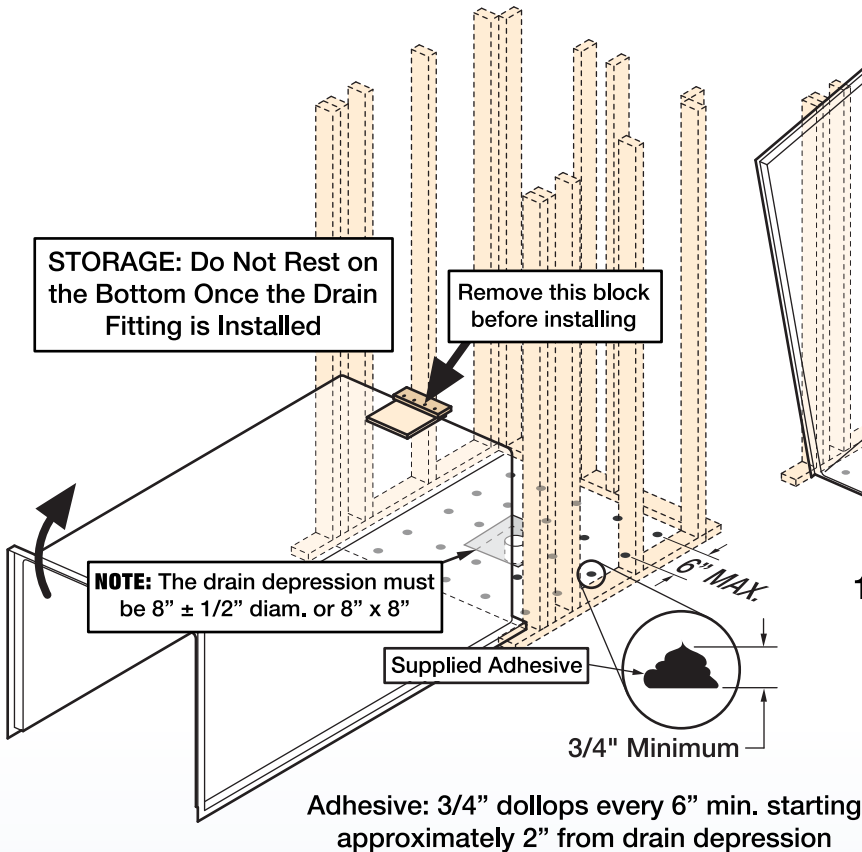


FRONT VIEW

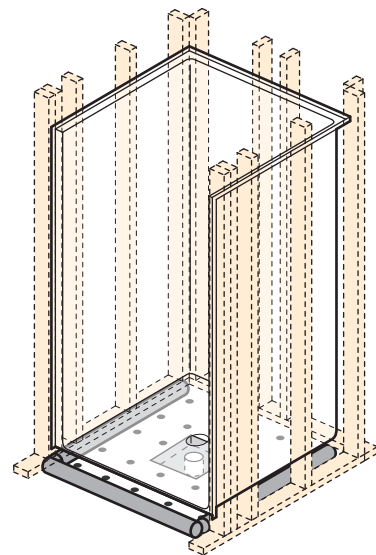
Installation Instructions

Showers (one piece) with Low Profile Bottoms

LPB1



10-A Standard



10-B Alternate

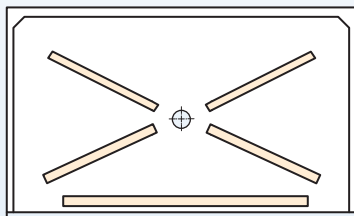
See instructions on page two

DO NOT WALK ON BOTTOM UNTIL ADHESIVE HAS SET UP

TIP: Also put adhesive between 2 pcs. of scrap wood to monitor cure

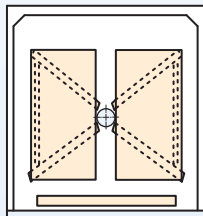
Weigh down the weight plates* or brace to the ceiling. Check that they are tight all along the shower floor with no dips or high areas.

*Weight plates are supplied with units on commercial orders when quantities are six (6) or greater.



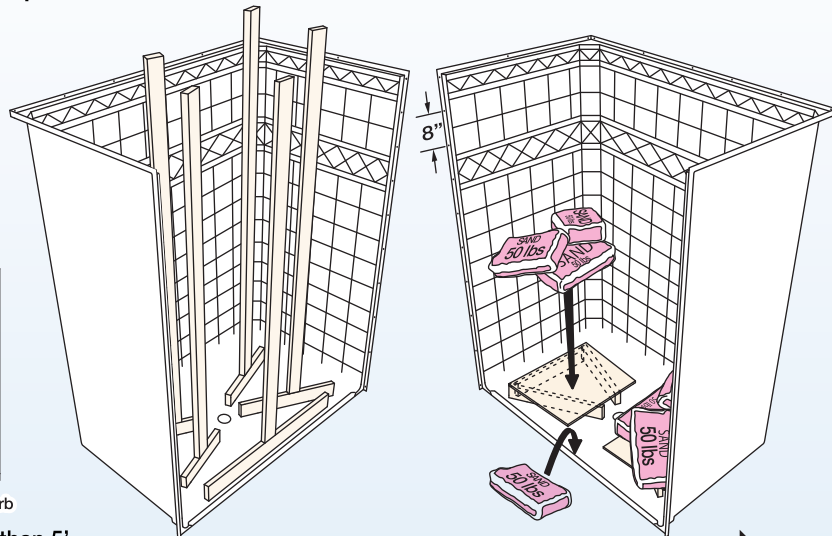
Additional bag or brace at curb

PLAN for showers 5' or larger
5/8" - 3/4" curb: 7 ea. 50 lb bags
1" - 1-1/4" curb: 13 ea. 50 lb bags



Additional bag or brace at curb

PLAN for showers smaller than 5'
All curb heights: 7 ea. 50 lb bags



SEE BACK FOR ADDITIONAL IMPORTANT INSTRUCTIONS



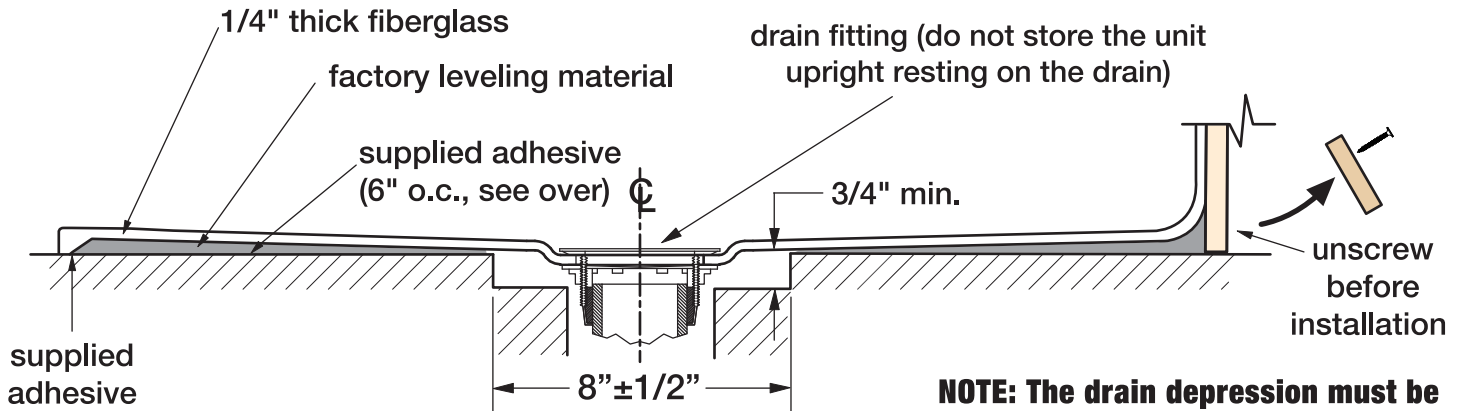
ATTENTION: Weight Plates are sent with the First Load Only. Please keep your weight plates for use with all subsequent shipments.

Installation Instructions

Showers (one piece) with Low Profile Bottoms

LPB1

The extremely low profile of this shower bottom may eliminate the need for recessing. In order to get full, permanent contact with the floor, it MUST be installed per these instructions. FAILURE TO FOLLOW THESE INSTRUCTIONS MAY RESULT IN FAILURE NOT COVERED BY WARRANTY



CROSS SECTION OF BOTTOM (installed)

NOTE: The drain depression must be 8" ± 1/2" diam. or 8" x 8".

Installation:

1. Check the stud pocket for level and correct dimensions and the drain hole in the floor for the correct distance to the studs. The floor must be level ± 1/8 inch.
2. The shower drain must be centered in an 8" depression in the floor (refer to specification or the actual shower). See drawing above.
3. Have the plumber install the drain fitting.
DO NOT store the unit resting on the drain.
4. Prepare the drain pipe to receive the drain.
5. Clean the floor and the base's underside free from dust so the adhesive can adhere to both surfaces. The floor may be damp but no standing water.
6. The leveling material has been scuffed up at the factory. Clean off any debris stuck to it.
7. Remove the plywood strip that is screwed to the leveling block at the back and install the drain fitting.
8. Draw a line where the curb will be.
9. Apply the adhesive to the floor. (See illustration on the front page). At the same time, glue some scrap wood together as a cure time sample for later on.
10. A) Tip the shower into position, making sure it is positioned at the line drawn in step 8 and guide the drain pipe into the drain fitting.
B) For alternate installation, tip onto a piece of pipe and roll onto the pipes in the pocket. Slide these pipes out while guiding the drain pipe into the drain fitting.
Avoid stepping on the bottom until the adhesive has set up.
12. When level, screw through the flanges.
13. If weight plates were provided*, use them to brace or weigh down as shown (over) until snug to the shower floor. If they were not provided, brace as shown.
14. **Make sure the bottom has adequate drain-slope by pouring water in it or with a level.**
15. Check the cure time sample from step 9 and when fully bonded or after no less than 2 hours, remove the weight plates (more if the floor is cold).

*Weight plates are supplied with units on commercial orders when quantities are six (6) or greater.

**SEE FRONT FOR ADDITIONAL
IMPORTANT INSTRUCTIONS** 

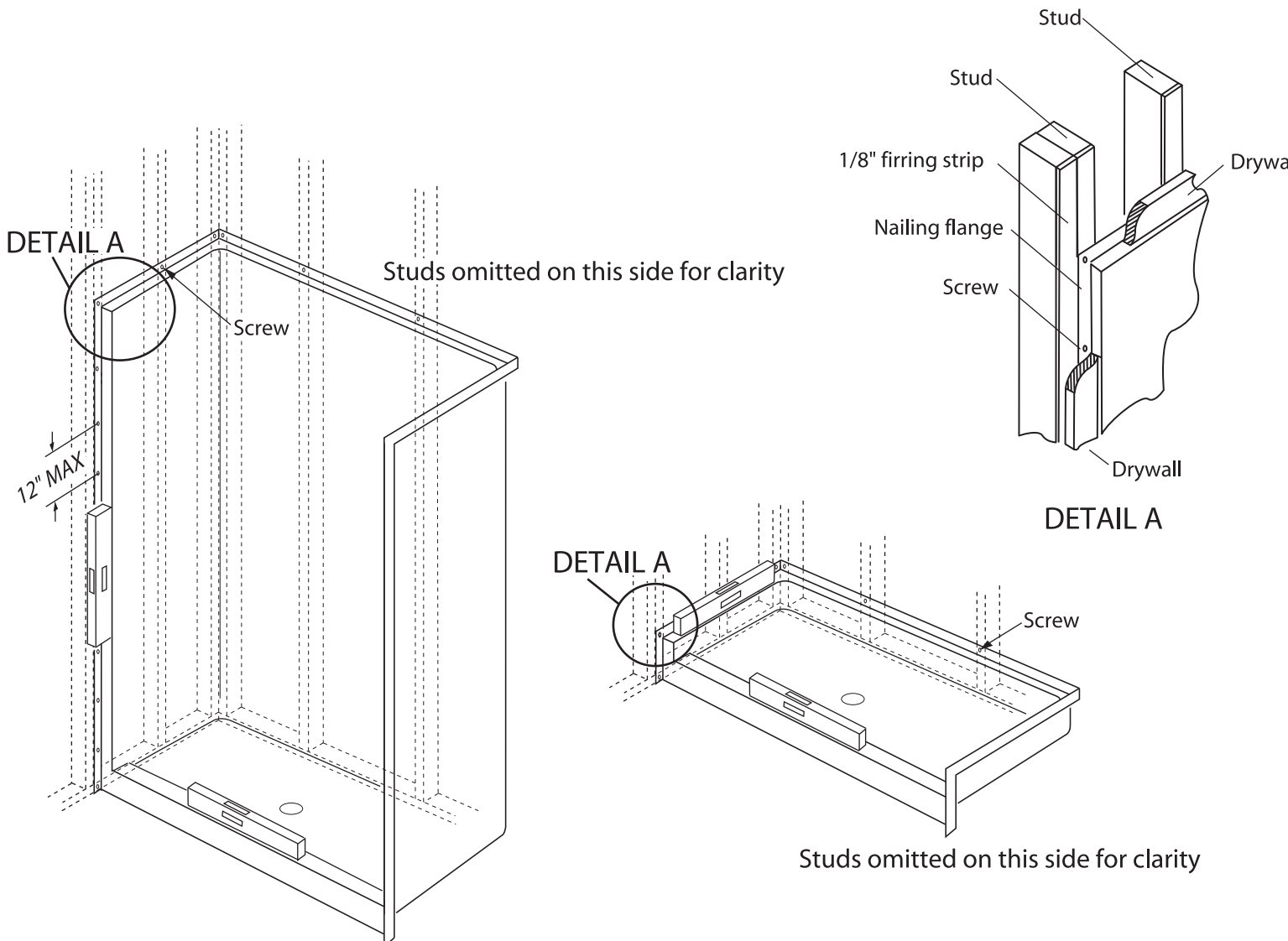

BEST BATH SYSTEMS, INC. CALDWELL, ID.

1 and 2-Piece Bathing Units

1P/2P

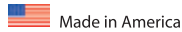
1. Framed-in area must be square and 0"-1/4" wider than unit to be installed.
2. Level and square the unit in the opening both horizontally and vertically.
3. For anchoring, screw through the flange into to the studs.
 - Vertical attachment at 12" max. centers and horizontally at each stud.
4. Attach shimstock to the framing of the opening if necessary to increase stability between bathing unit and walls.
 - For units with a 1-1/4" or lower curb height, see "Installation Instructions for Showers with Low Profile Bottoms" LPBmW or LPBmU
 - For units with a 1-1/2" or higher curb height, it is not necessary to use an anchoring adhesive in installation, as these units have a wood-core reinforced bottom without an integral factory leveling material.
5. Drill from inside of unit walls to accommodate plumbing fittings.

NOTE: 2-piece models are factory dry-assembled with screws and nuts. Disassemble to get it into the bathroom, assemble with silicone sealant on the mating surfaces and around the fastener holes and install as one piece. Finish with a small bead of silicone sealant in the joint.



LIMITED 30 Year Warranty

All Showers · Tub Showers · Pans · UniFloors · UniWalls



30 YEAR LIMITED WARRANTY

Best Bath Systems, Inc. warrants that Best Bath's fiberglass reinforced showers, walls, pans, UniFloors, and UniWalls will be free from manufacturing defects for 30 years. This warranty is made to the original owner who occupies the residence in which the bathing unit is installed.

If a manufacturing defect should become apparent, Best Bath Systems, Inc. following investigation and verification of claim, will either repair or replace the item at our discretion. The Best Bath warranty obligation in regard to equipment and accessories is limited to any warranty extended to Best Bath Systems, Inc. by the manufacturer of the equipment or accessories.

Limits to Coverage

When products are shipped by common carrier, the responsibility for the unit's safe delivery is assumed by the carrier. It is the responsibility of the consignee to inspect the container and report any damage to the freight company within their allotted time and to Best Bath Systems Customer Service within five (5) business days of delivery.

Abusive treatment, misuse, normal wear and tear*, accidents, fire, repairs or alterations not authorized in writing by Best Bath Systems, Inc., theft, lost materials, improper installation, damage to product due to shipping, storage or handling, reactions caused by accessories or cleaning materials**, mis-drilled holes, negligence, construction damage, punctures from dropped items into the tub or shower and other non-manufacturer issues are not covered by this warranty.

*Normal wear and tear is considered use for its intended purpose of multiple daily showering and weekly cleaning activity.

**Reactions from cleaning materials are identified as those that can result from the use of abrasive cleaners or caustic drain cleaners allowed to stand for over 10 minutes.

The use of permanent non-slip type appliqués or rubber bath mats that are left in place after use for over 24 hours may result in blistering of the surface which is not covered under our warranty.

Best Bath Systems will under no circumstances be liable for water damage to the dwelling and furnishings in connection with any bathing unit. It is the

responsibility of the purchaser/installer to inspect and test the unit upon receipt and installation.

If a replacement of the warranted item is determined to be necessary, this warranty does not cover labor costs involved in demolition and removal of item or installation of the replacement.

Filing a Claim

To file a claim, contact Best Bath Systems Customer Service/Warranty Department by phone, email, or mail.

Please contact:
National Customer Service Supervisor
Best Bath Systems, Inc.
723 Garber St.
Caldwell, ID 83605

Phone: (208) 433-6650 Toll free: (866) 433-6650
Fax: (208) 433-6643 Toll free: (866) 333-8657

Email: warranty@best-bath.com **Web Site:** www.best-bath.com

The following information is necessary to process your claim:

1. Name, address, email and phone number
2. Sales Order number, Invoice number, Purchase Order from the original customer, or some documentation that reflects original date of purchase
3. Description of damage and repair requested

State laws relating to this warranty

Some states laws prohibit limitations on warranties. In any case where a portion of this warranty is found to be not legal or conflicting with any state law, that portion of this warranty is voided but all other portions remain valid.

Modifications to this Warranty

This document supersedes all previous warranties written, verbal, or implied issued by Best Bath Systems, Inc.
Best Bath Systems, Inc. reserves the right to modify or change this warranty in its entirety at any time without prior notification. Effective date of this warranty is 11/1/2009. Modified 5/19/2010.